



UXT SERIES

SPEC SHEET

ERP16-20UXT
Three Wheel Electric
Forklift Trucks

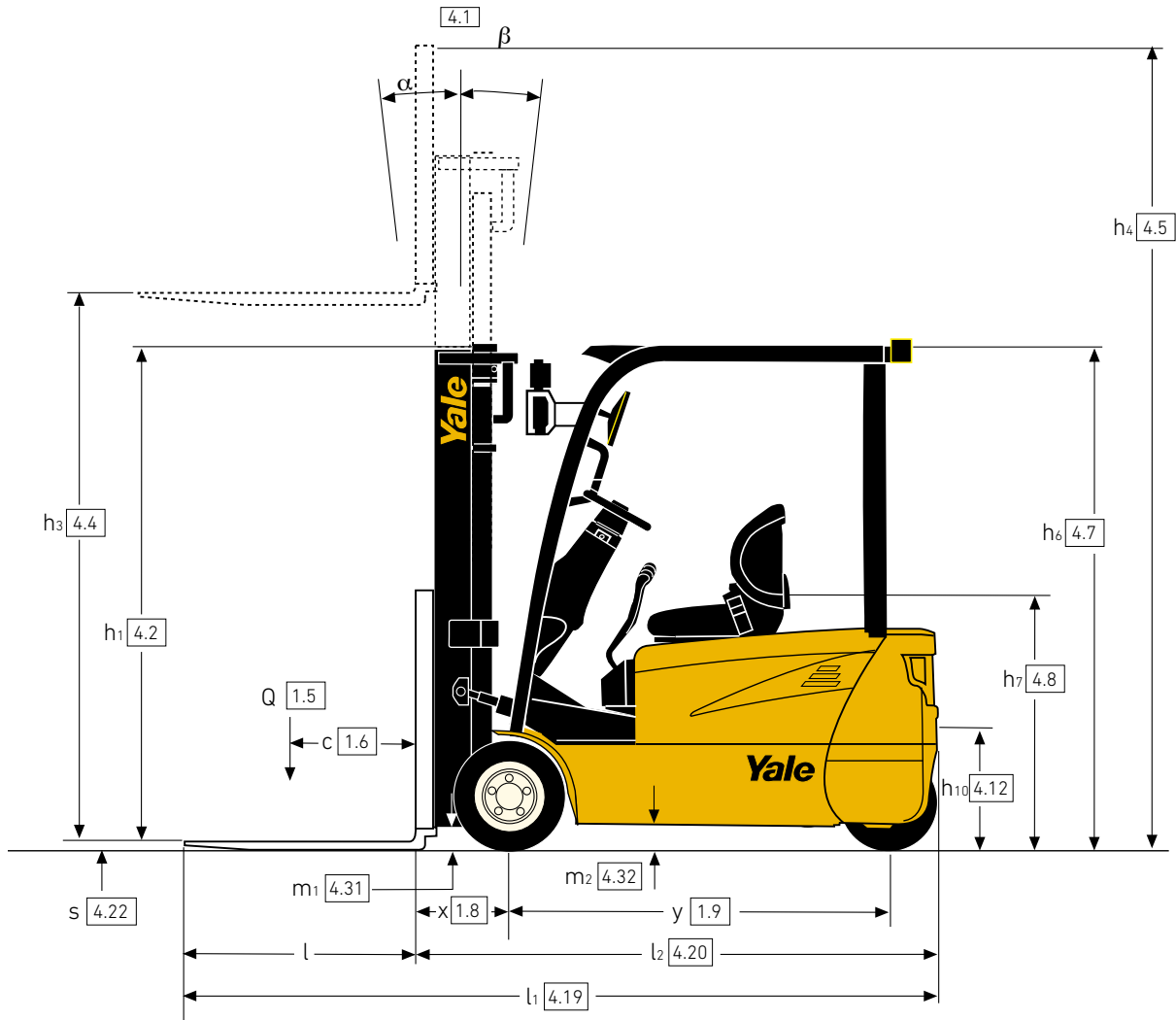
1,600 - 2,000kg

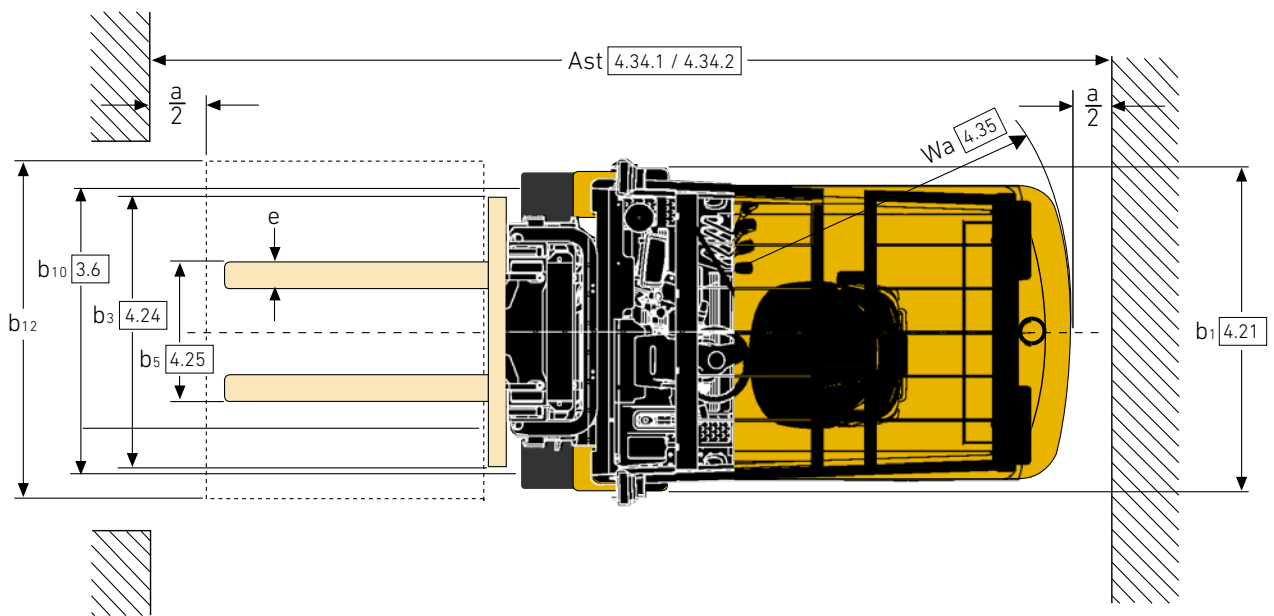
TRUCK DIMENSIONS – UXT SERIES

$$Ast = Wa + x + l_6 + a$$

a = Minimum operating clearance of 200mm

l_6 = Load length





VDI 2198 – GENERAL SPECIFICATIONS – UXT SERIES

		Yale				
GENERAL	1.1	Manufacturer				
	1.2	Model designation	UXT16	UXT18	UXT20	
	1.3	Drive	Electric (battery)			
	1.4	Operation	Seated			
	1.5	Rated capacity/rated load	Q (t)	1600	1800	
	1.6	Load centre	c (mm)	500		
	1.8	Load centre distance	x (mm)	371		
	1.9	Wheelbase	y (mm)	1400	1515	
	WEIGHT	2.1	Unladen weight (max. battery)	kg	3120	3190
2.2		Axle loading, laden front/rear (max. battery)	kg	4010 / 660	4420 / 510	4870 / 580
2.3		Axle loading, unladen front/rear (max. battery)	kg	1480 / 1640	1500 / 1690	1580 / 1810
TYRES	3.1	Tyres front/rear	Superelastic			
	3.2	Tyre size, front	ø mm x mm	18*7-8	200 / 50-10	
	3.3	Tyre size, rear	ø mm x mm	15*4.1 / 2-8		
	3.5	Wheels, number front/rear (x = driven wheels)	2 x / 2			
	3.6	Tread, front	b10 (mm)	933	952	
	3.7	Tread, rear	b11 (mm)	186		
	DIMENSIONS	4.1	Mast tilt, forward / backward	α / β (°)	6.15 / 6.75	
4.2		Height of mast, lowered	h ₁ (mm)	1992	1990	
4.3		Free lift ⁽¹⁾	h ₂ (mm)	35	54	
4.4		Lift height ⁽¹⁾	h ₃ (mm)	3036	3045	
4.5		Height of mast, extended ⁽²⁾	h ₄ (mm)	4030	4000	
4.7		Height to top of overhead guard ⁽³⁾	h ₆ (mm)	2002	2004	
4.8		Seat height ⁽⁴⁾	h ₇ (mm)	965		
4.12		Towing coupling height	h ₁₀ (mm)	445	485	
4.19		Overall length(with forks)	L ₁ (mm)	2894	3153	
4.20		Length to face of forks	L ₂ (mm)	1974	2084	
4.21		Overall width	b ₁ /b ₂ (mm)	1084	1140	
4.22		Fork dimensions	s/e/l (mm)	35 / 100 / 920	40 / 120 / 1070	
4.23		Fork carriage DIN 15173. Class, A/B	ISO2328 2A			
4.24		Fork carriage width ⁽²⁾	b ₂ (mm)	951	950	
4.25		Width over forks	b ₃ (mm)	200 / 890		
4.31		Ground clearance, laden, below mast	m ₁ (mm)	89	88	
4.32		Ground clearance at centre of wheelbase	m ₂ (mm)	96	95	
4.34.1		Aisle width with pallets 1000mm long x 1200mm wide	Ast (mm)	3290	3445	
4.34.2		Aisle width with pallets 800mm wide x 1200mm long	Ast (mm)	3415	3410	
4.35		Outer turning radius	Wa (mm)	1601	1716	
PERFORMANCE		5.1	Travel speed laden/unladen	km/h	14 / 16	
	5.2	Lifting speed laden/unladen	m/s	352 / 500	349 / 500	310 / 500
	5.3	Lowering speed laden/unladen	m/s	411 / 485	425 / 485	
	5.5	Drawbar pull laden/unladen, 60 minute rating	N	NA		
	5.6	Maximum drawbar pull laden/unladen, 5 minute rating	N	15500 / 10000	15000 / 10500	15500 / 12000
	5.6.1	Maximum drawbar pull laden/unladen, 3 minute rating	N	NA		
	5.7	Gradeability with/without load, 30 minute rating	%	NA		
	5.8	Maximum Gradeability with/without load, 5 minute rating	%	20 / 30		
	5.8.1	Maximum drawbar pull laden/unladen, 3 minute rating	%	NA		
	5.9	Acceleration time with/without load 10m	sec	4.46 / 4.35		5.98 / 5.63
	5.9.1	Acceleration time with/without load 15m	sec	5.79 / 5.51		6.95 / 6.79
5.10	Service brake	Hydraulic				
ELECTRIC	6.1	Drive Motor Rating, S2, 60min	kW	2 x 5		
	6.2	Lifting motor, S3 15% rating	kW	11		
	6.2.1	Steering motor	NA			
	6.3	Battery DIN 43531 /35 /36 A, B, C, no	No	43531A		
	6.4	Battery voltage / capacity (5hr rate)	(V)/(Ah)	48 / 500	-	48 / 640
	6.5	Battery weight (min/max)	kg	945		1088
	6.5.1	Battery dimensions	l/w/h (mm)	830 / 630 / 627		830 / 738 / 627
	6.6	Power consumption in accordance with VDI cycle	kWh/h	5.19	5.30	5.7
OTHER	7.6	Turn over	t/h	102t/h	105t/h	NA
	8.1	Drive control	ACE2 2uC			AC
	8.2	Manufacturer	ZAPI			
	10.1	Operating pressure for attachments ⁽⁵⁾	bar	145	175	
	10.2	Oil volume for attachments	l/min.	38		
	10.7	Average noise level at operator's ear ⁽⁶⁾	dB(A)	64.8		69.6
	10.8	Towing coupling, type DIN	Ø32			
	10.3	Hydraulic Tank - capacity (drain & refill)	l	32		
	10.6	Number of steering rotation	4			
	10.6.1	Steering force	N	10		

(1) Bottom of forks (3) h₆ subject to +/- 5mm tolerance (5) Variable
(2) Without load backrest (4) Full suspension specified (6) LPAZ, measured according to the test cycles and based on the weighting values contained in EN12053

MAST DIMENSIONS – UXT SERIES

Type	Max. lift height (mm)	Overall Extended Height Mast			Free Lift		Load Distance (mm)	Mast tilt		Loading		
		Lowered height (mm)	Lift Height		Without LBR (mm)	With LBR (mm)		F (°)	B (°)	Load center (500mm)		
	Without LBR (mm)		With LBR (mm)	Single Tyre (kg)								
	(mm)	(mm)	(mm)	(mm)	(mm)	(mm)	(°)	(°)	16UXT	18UXT	20UXT	
2-STAGE LIMITED FREE-LIFT (LFL) MAST												
BM300	3000	1975	3490	4010	0	0	376	6.5	6.5	1600	1800	2000
BM330	3300	2125	3790	4310	0	0	376	6.5	6.5	1600	1800	2000
BM350	3500	2225	3990	4510	0	0	376	6.5	6.5	1600	1800	2000
BM370	3700	2325	4190	4710	0	0	376	6.5	6.5	1600	1800	2000
BM400	4000	2525	4490	5010	0	0	376	3.5	5	1600	1800	2000
BM450	4500	2775	4990	5510	0	0	376	3.5	5	1400	1600	1800
BM500	5000	3025	5490	6010	0	0	376	3.5	5	1250	1450	1500
BM550	5500	3325	5990	6510	0	0	376	3.5	5	1150	1200	1300
BM600	6000	3575	6490	7010	0	0	376	3.5	5	1050	1100	1200
2-STAGE FULL FREE-LIFT (FFL) MAST												
BFM300	3000	1975	3490	4010	1510	990	376	3.5	6.5	1600	1800	2000
BFM330	3300	2125	3790	4310	1660	1140	376	3.5	6.5	1600	1800	2000
BFM350	3500	2225	3990	4510	1760	1240	376	3.5	6.5	1600	1800	2000
BFM370	3700	2325	4190	4710	1860	1340	376	3.5	6.5	1600	1800	2000
BFM400	4000	2525	4490	5010	2060	1540	376	3.5	5	1600	1800	2000
3-STAGE FULL FREE-LIFT (FFL) MAST												
BTFM400	4000	1850	4490	5010	1385	865	376	3.5	5	1600	1800	2000
BTFM435	4350	1975	4840	5360	1510	990	376	3.5	5	1500	1700	1900
BTFM450	4500	2025	4990	5510	1560	1040	376	3.5	5	1400	1600	1800
BTFM480	4800	2125	5290	5810	1660	1140	376	3.5	5	1300	1500	1650
BTFM500	5000	2225	5490	6010	1760	1240	376	3.5	5	1250	1450	1500
BTFM550	5500	2390	5990	6510	1925	1405	376	3.5	5	1150	1200	1300
BTFM600	6000	2575	6490	7010	2110	1590	376	3.5	5	1050	1100	1200
BTFM650	6500	2790	6990	7510	2325	1805	376	3.5	5	900	950	1000

All values are nominal values and they are subject to tolerances.





About Yale



Yale Lift Truck Technologies leverages over a century of material handling experience and substantial investment in innovation to bring the most advanced technology-driven lift truck solutions to market. The company offers a full line of award-winning lift trucks, including reach trucks, order pickers, turret trucks, pallet jacks and trucks, pallet stackers, tow tractors and counterbalanced forklifts, as well as powerful operator assist solutions, proven robotics and a wide range of power sources to help customers adapt to today's demanding supply chain. Yale and its independent dealer network support these solutions with comprehensive after-sales service, parts, financing and training.

Yale Lift Truck Technologies is a trading name of Hyster-Yale Asia-Pacific Pty Ltd., a wholly owned subsidiary of Hyster-Yale Materials Handling, Inc. (NYSE:HY) which is headquartered in Cleveland, Ohio and operates globally.

MATERIALS HANDLING FOR:

3PL

Auto Parts Distribution

Beverage

Cold & Frozen Foods

Food Distribution

Food Processing

Furniture & Furnishings

Government

Health & Pharma

Home Centers

Retail & E-commerce

Yale Pacific

1/23 Rowood Road, Prospect NSW 2148


Tel: +61 (2) 9795 3800 | Fax: +61 (2) 9792 8484

Yale Asia

16 Tuas Avenue 20, Singapore 638827

Tel: +65 6863 3387 | Fax: +65 6863 3349

yale.com

© 2023 Hyster-Yale Group, Inc., all rights reserved. YALE and  are trademarks of Hyster-Yale Group, Inc. Trucks may be shown with optional equipment and/or features not available in all regions. Specifications and details in this brochure are subject to change without prior notification.