

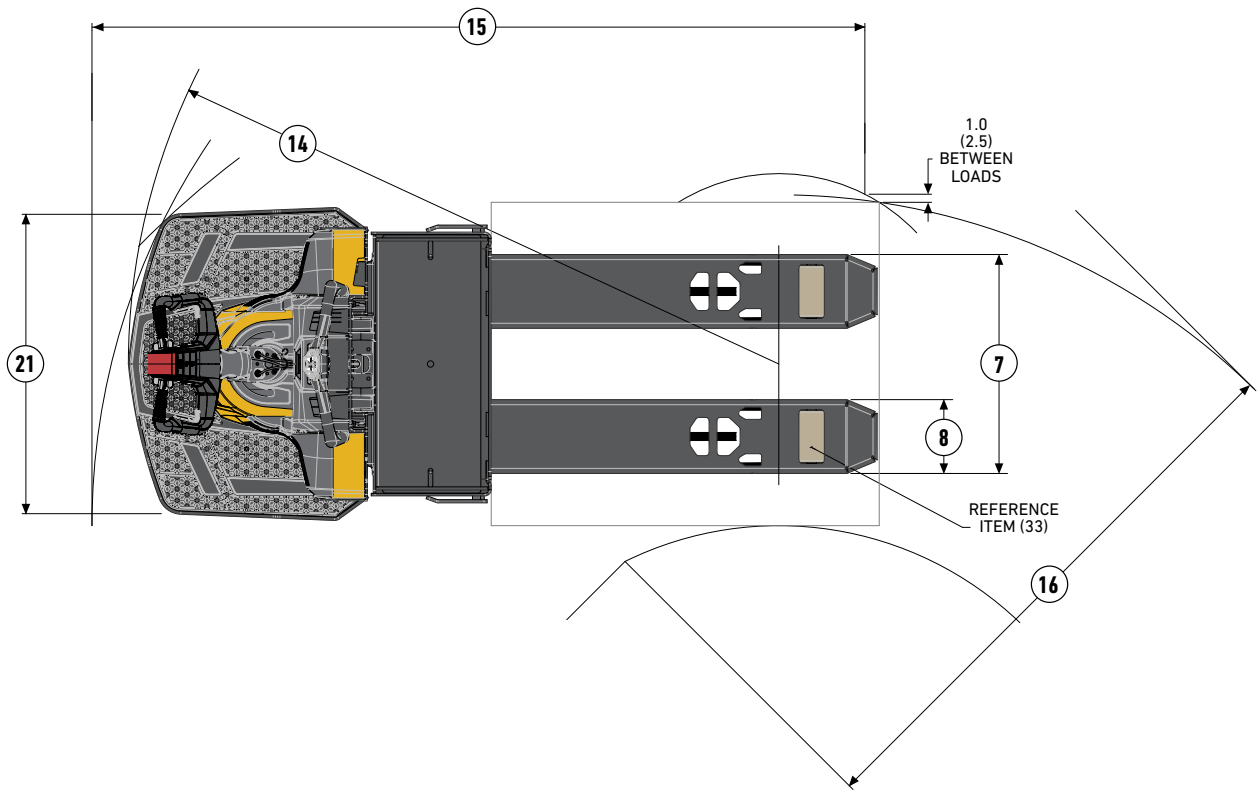
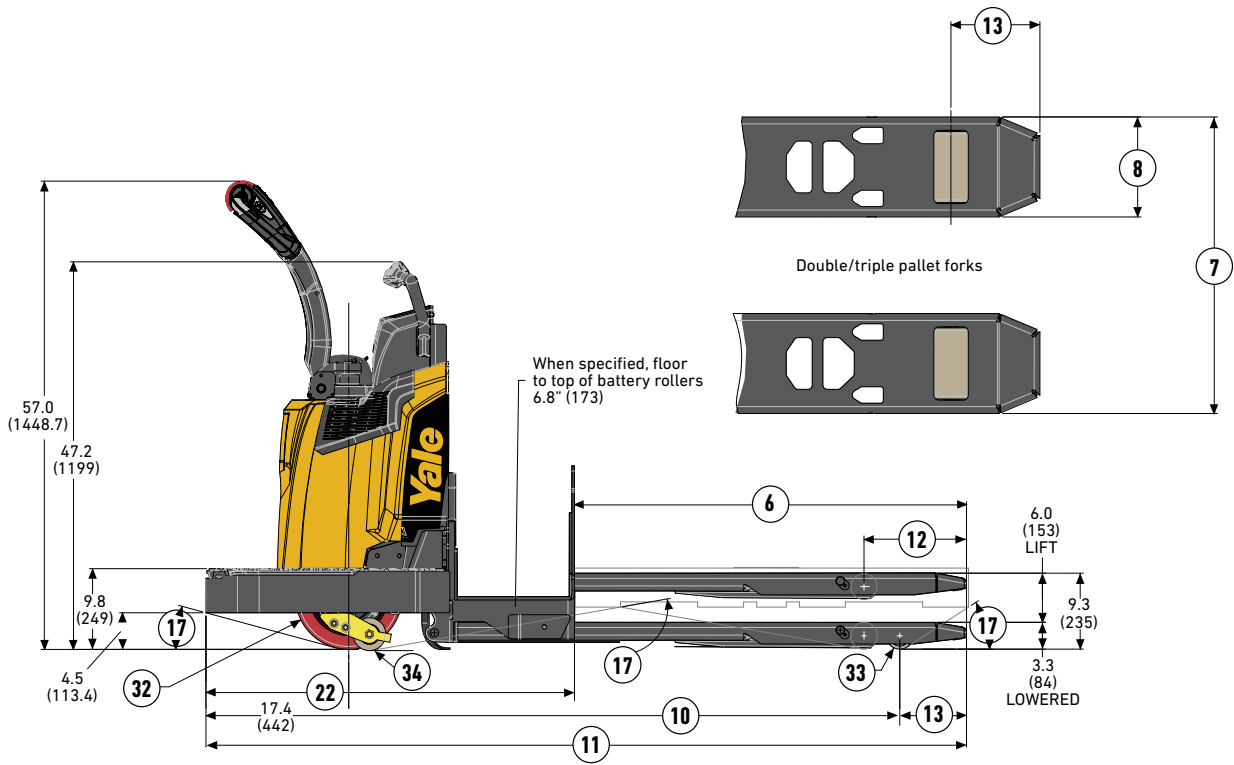


MPE 060-080VH

SPEC SHEET

End rider pallet truck

6,000-8,000 lbs.



Circled truck dimensions correspond to the line numbers in the General Specifications chart. Dimensions are listed in inches (millimeters).

GENERAL SPECIFICATIONS - MPE060VH

GENERAL		1		Yale								
		2		MPE060VH								
		3		24 Volt								
		4		Stand ride								
		5		lb. (kg)	6000 (2722)							
6	Fork length	Nominal	in. (mm)	36(914)	42(1067)	48(1219)	54(1372)	60(1524)	84(2134)	93(2362)	96(2438)	
		Actual	in. (mm)	35.7(908)	41.8(1061)	47.8(1213)	53.7(1365)	59.8(1518)	83.8(2128)	92.8(2357)	95.8(2433)	
7	Fork overall width		in. (mm)	27.1 (688)					28.0(710)			
8	Fork width		in. (mm)	9.1(232)					10.0(254)			
9	Load distance (face of battery box to center of load wheels)	Raised	in. (mm)	23.3(591)	29.3(744)	35.3(896)	41.3(1048)	47.3(1201)	56.3(1430)			
		Lowered	in. (mm)	27.6(702)	33.6(854)	39.6(1007)	45.6(1159)	51.7(1312)	60.6(1540)			
10	Wheelbase	Raised	in. (mm)	51.3(1303)	57.3(1455)	63.3(1608)	69.3(1760)	75.3(1912)	84.3(2141)			
		Lowered	in. (mm)	55.3(1400)	61.1(1552)	67.1(1705)	73.1(1857)	79.1(2010)	88.1(2238)			
11	Overall length	Raised	in. (mm)	81.1(2061)	87.1(2213)	93.1(2366)	99.1(2518)	105.2(2671)	129.1(3280)	138.1(3509)	141.1(3538)	
		Lowered	in. (mm)	80.6(2048)	86.6(2200)	92.6(2353)	98.6(2505)	104.6(2657)	128.6(3267)	137.6(3496)	140.6(3572)	
12	Center of load wheel to fork tips	Raised	in. (mm)	12.5(317)					27.5(698)	36.5(927)	39.5(1003)	
		Lowered	in. (mm)	8.1(206)					23.1(588)	32.2(817)	35.2(893)	
14	Outside turning radius (Standard platform)	Raised	in. (mm)	66.7(1694)	72.7(1846)	78.7(1999)	84.7(2152)	90.7(2304)	99.7(2533)			
		Lowered	in. (mm)	70.5(1791)	76.5(1943)	76.7(1947)	88.5(2249)	94.5(2401)	103.5(2630)			
	Outside turning radius (Extended platform)	Raised	in. (mm)	68.8(1747)	74.8(1899)	80.8(2052)	86.8(2205)	92.8(2357)	101.8(2586)			
		Lowered	in. (mm)	72.6(1844)	78.6(1996)	78.7(2000)	90.6(2302)	96.6(2454)	105.6(2683)			
15	Right angle stack (Standard platform)	Raised	in. (mm)	80.2(2037)	N/A	91.8(2332)	N/A	N/A	143.1(3636)			
	Right angle stack (Extended platform)	Raised	in. (mm)	81.6(2073)	N/A	93.8(2382)	N/A	N/A	144.9(3681)			
16	Equal intersecting aisle (Standard platform)	Raised	in. (mm)	61.5(1563)	N/A	68.9(1750)	N/A	N/A	75.7(1924)			
	Equal intersecting aisle (Extended platform)	Raised	in. (mm)	63.0(1599)	N/A	70.3(1786)	N/A	N/A	76.8(1950)			
17	Grade clearance	Chassis	%	28								
		Center of wheelbase	%	38	34	31	30	27	22			
		Forks	%	37					17	13	12	
18	Overall lift height	Top of forks	in. (mm)	9.3(235)								
19	Lowered height	Top of forks	in. (mm)	3.3(84)								
20	Total lift		in. (mm)	5.9(151)								
21	Truck overall width	Standard	in. (mm)	37.2(944)								
		Extended	in. (mm)	38.7(984)								
22	Chassis length	Raised	in. (mm)	43.3(1100)								
		Lowered	in. (mm)	42.8(1087)								
23	Battery compartment (standard /w battery rollers)		in. (mm)	32.0 x 13.4 x open (813 x 340 x open)								
PERFORMANCE	24	Max travel speed - chassis first	No load/ rated load	mph (kph)	9.0/6.0(14.5/9.7)							
	25	Max travel speed - forks first	No load/ rated load	mph (kph)	6.0/6.0(9.7/9.7)							
	26	Number of speeds		Infinitely variable								
	27	Traction motor control method	Type	AC Transistor								
28	Service brake	Type	Electro-mechanical									
WEIGHT	29	Truck weight (approx w/o battery)	No load	lb. (kg)	1382(627)	1433(650)	1481(672)	1523(691)	1567(711)	1687(765)	1742(790)	1772(804)
			Rated load	lb. (kg)	7382(3349)	7433(3372)	7481(3394)	7523(3413)	7567(3433)	7687(3487)	7742(3512)	7772(3526)
	30	Axle loading - drive	(static, max bat., no load)	lb. (kg)	1735(787)	1828(829)	1907(865)	2002(908)	2094(950)	2200(998)	2253(1022)	2299(1043)
31	Axle loading - load	(static, max bat., no load)	lb. (kg)	802(364)	754(342)	719(326)	670(304)	622(282)	633(287)	635(288)	622(282)	
WHEELS	32	Drive tire - size/type	(# of wheels)	in.	13.0 x 4.5 x 9.0 / polyurethane (1)							
	33	Load wheel - size/type	(# of wheels) (# of bearings)	in.	3.25" x 6.5" / polyurethane (2) (4)							
	34	Caster wheel - size/type	(# of wheels) (caster type)	in.	4.0' x 2.5" / polyurethane (2) urethane block loaded							
BATTERY	35	Type		Lead acid								
	36	Ampere hours	Maximum	ah	930							
			Minimum	ah	375							
	38	Weight	Maximum	lb. (kg)	1500 (680)							
Minimum			lb. (kg)	540 (245)								

GENERAL SPECIFICATIONS - MPE080VH

GENERAL		Yale														
1		Manufacturer														
2		MPE080VH														
3		24 Volt														
4		Stand ride														
5		8000 (3629)														
6		lb. (kg)														
DIMENSIONS	6	Fork length	Nominal	in. (mm)	36(914)	42(1067)	48(1219)	54(1372)	60(1524)	84(2134)	93(2362)	96(2438)	144(3658)			
			Actual	in. (mm)	35.7(908)	41.8(1213)	47.8(1213)	53.7(1365)	59.8(1518)	83.8(2128)	92.8(2357)	95.8(2433)	143.8(3652)			
	7	Fork overall width		in. (mm)	27.1 (688)						28.0(710)		28.0(710)			
	8	Fork width		in. (mm)	9.1(232)						10.0(254)		10.0(254)			
	9	Load distance (face of battery box to center of load wheels)	Raised	in. (mm)	23.3(591)	29.3(744)	35.3(896)	41.3(1048)	47.3(1201)	56.3(1430)	N/A	N/A	104.3(2649)	83.9(2131)		
			Lowered	in. (mm)	27.6(702)	33.6(854)	39.6(1007)	45.6(1159)	51.7(1312)	60.6(1540)	N/A	N/A	108.6(2759)	87.7(2228)		
	10	Wheelbase	Raised	in. (mm)	51.3(1303)	57.3(1455)	63.3(1608)	69.3(1760)	75.3(1912)	84.3(2141)	N/A	N/A	132.3(3360)	111.4(2829)		
			Lowered	in. (mm)	55.3(1400)	61.1(1552)	67.1(1705)	73.1(1857)	79.1(2010)	88.1(2238)	N/A	N/A	136.1(3457)	115.2(2926)		
	11	Overall length	Raised	in. (mm)	81.1(2061)	87.1(2213)	93.1(2366)	99.1(2518)	105.2(2671)	129.1(3280)	138.1(3509)	141.1(3538)	189.1(4804)			
			Lowered	in. (mm)	80.6(2048)	86.6(2200)	92.6(2353)	98.6(2505)	104.6(2657)	128.6(3267)	137.6(3496)	140.6(3572)	188.6(4791)			
	12	Center of load wheel to fork tips	Raised	in. (mm)	12.5(317)						27.5(698)		36.5(927)		39.5(1003)	59.9(1521)
			Lowered	in. (mm)	8.1(206)						23.1(588)		32.2(817)		35.2(893)	
	14	Outside turning radius (Standard Platform)	Raised	in. (mm)	66.7(1694)	72.7(1846)	78.7(1999)	84.7(2152)	90.7(2304)	99.7(2533)			N/A			
Lowered			in. (mm)	70.5(1791)	76.5(1943)	76.7(1947)	88.5(2249)	94.5(2401)	103.5(2630)			N/A				
Outside turning radius (Extended Platform)		Raised	in. (mm)	68.8(1747)	74.8(1899)	80.8(2052)	86.8(2205)	92.8(2357)	101.8(2586)			149.8(3805)				
		Lowered	in. (mm)	72.6(1844)	78.6(1996)	78.7(2000)	90.6(2302)	96.6(2454)	105.6(2683)			153.6(3902)				
15	Right angle stack (Standard Platform)	Raised	in. (mm)	80.2(2037)	N/A	91.8(2332)	N/A	N/A	143.1(3636)			N/A				
	Right angle stack (Extended Platform)	Raised	in. (mm)	81.6(2073)	N/A	93.8(2382)	N/A	N/A	144.9(3681)			188.2(4780)				
16	Equal intersecting aisle (Standard Platform)	Raised	in. (mm)	61.5(1563)	N/A	68.9(1750)	N/A	N/A	75.7(1924)			N/A				
	Equal intersecting aisle (Extended Platform)	Raised	in. (mm)	63.0(1599)	N/A	70.3(1786)	N/A	N/A	76.8(1950)			109.8(2790)				
17	Grade clearance	Chassis	%	28												
		Center of wheelbase	%	38	34	31	30	27	22			14	17			
		Forks	%	37						17	13	12		8		
18	Overall lift height	Top of forks	in. (mm)	9.3(235)												
19	Lowered height	Top of forks	in. (mm)	3.3(84)												
20	Total lift		in. (mm)	5.9(151)												
21	Truck overall width	Standard	in. (mm)	37.2(944)												
		Extended	in. (mm)	38.7(984)												
22	Chassis length	Raised	in. (mm)	45.4(1153)												
		Lowered	in. (mm)	44.9(1140)												
23	Battery compartment (standard / with battery rollers)		in. (mm)	32.0 x 13.4 x open(813 x 340 x open)												
PERFORMANCE	24	Max travel speed - chassis first	No load/ rated load	mph (kph)	9.0/6.0(14.5/9.7)											
	25	Max travel speed - forks first	No load/ rated load	mph (kph)	6.0/6.0(9.7/9.7)											
	26	Number of speeds			Infinitely variable											
	27	Traction motor control method	Type		AC Transistor											
28	Service brake	Type		Electro-mechanical												
WEIGHT	29	Truck weight (approx w/o battery)	No load	lb. (kg)	1444 (655)	1495 (678)	1539 (698)	1585 (719)	1629 (739)	1748 (793)	1803 (818)	1834 (832)	2198 (997)	2178 (988)		
			Rated load		9444 (4284)	9495 (4307)	9539 (4327)	9585 (4348)	9629 (4368)	9748 (4422)	9803 (4447)	9834 (4461)	10198 (4626)	10178 (4617)		
	30	Axle loading - drive	(static, max bat., no load)	lb. (kg)	1858 (843)	1878 (852)	1960 (889)	2055 (932)	2147 (974)	2255 (1023)	2308 (1047)	2357 (1069)	2668 (1210)			
31	Axle loading - load	(static, max bat., no load)	lb. (kg)	732(332)	754(342)	719(326)	670(304)	622(282)	633(287)	635(288)	622(282)	661(300)				
WHEELS	32	Drive tire - size/type	(# of wheels)	in.	13.0 x 4.5 x 9.0 / polyurethane (1)											
	33	Load wheel - size/type	(# of wheels) (# of bearings)	in.	3.25" x 6.5" / polyurethane (2) (4)											
	34	Caster wheel - size/type	(# of wheels) (caster type)	in.	4.0' x 2.5" / polyurethane (2) urethane block loaded											
BATTERY	35	Type		Lead acid												
	36	Ampere hours	Maximum	ah	930											
	37	Ampere hours	Minimum	ah	375											
	38	Weight	Maximum	lb. (kg)	1500 (680)											
39	Weight	Minimum	lb. (kg)	540 (245)												

FEATURES LIST - MPE060-080VH

PERFORMANCE	STD	OPT
24 volt AC transistor control electrical system	●	
AC traction motor	●	
4 operator selectable, programmable performance modes	●	
High performance and extended shift feature	●	
ADS (Auto Deceleration System) with regenerative braking	●	
Ergonomic rear hand rail with Smart Shift Functions:		
– Smart Lift		●
– Smart Lower		●
– Smart Acceleration		●
– Smart Cruise		●
– Yale Smart Slow Down™		●
Smart coast control with pick assist		●
Manual coast control with pick assist		●
DRIVE	STD	OPT
Drive tire		
– 85 durometer, 13" x 4.5" smooth red polyurethane	●	
– 85 durometer, 13" x 4.5" grooved red polyurethane		●
– 91 durometer, 13" x 4.5" smooth polyurethane		●
– 93 durometer, 13" x 4.5" super smooth polyurethane		●
Load wheels		
– Single, 3.25" x 6.5" polyurethane	●	
– Single and dual		●
– 2 bearing and 4 bearing		●
– Standard bearing and sealed bearing		●
Casters 4" x 2.5" (MPE060VH)		
– Spring loaded, polyurethane wheel	●	
– Heavy duty – urethane block loaded greaseable wheel		●
– Heavy duty – urethane block loaded sealed wheel		●
Casters 4" x 2.5" (MPE080VH)		
– Heavy duty – urethane block loaded greaseable wheel	●	
– Heavy duty – urethane block loaded sealed wheel		●
Manual steering	●	
Power assist steering		●
LIFT	STD	OPT
Heavy duty, long life lift linkage with lubrication fittings		
– "X" groove style greaseable pivot bushings	●	
– 1" hardened, bolt retained flag pins		
Integrated "soft start" transistor lift pump control	●	
Fork lengths		
– 48" long forks – standard tip	●	
– 36" – standard tip		●
– 42" – standard tip		●
– 54" – standard tip		●
– 60" – standard tip		●
– 96" – standard tip (MPE060VH only)		●
– 84" – extended tip		●
– 93" – extended tip		●
– 96" – extended tip		●
– 144" – extended tip (MPE080VH only)		●
– 144" – short wheelbase extended tip (MPE080VH only)		●
Pallet exit rollers and runners / entry blades or skids	●	
Knock-out load wheel axles	●	
Boxed fork construction with reinforced fork tips	●	
Flush pallet stop	●	
27" fork spread	●	
28" fork spread (MPE080VH)		●
Load backrest		
– 48" high (pivoting or bolt-on)		●
– 60" high (pivoting or bolt-on)		●
– 72" high (bolt-on)		●
ERGONOMICS	STD	OPT
Ergonomic rear hand rail	●	
Ergonomically designed, impact resistant, combination butterfly rotary control handle	●	

ERGONOMICS CONTINUED	STD	OPT
Composite handle with butterfly travel control		●
Cushioned operator platform		●
Ultra platform cushion		●
OPERATION	STD	OPT
Multifunction full-color touch display		
– Battery state of charge		
– Hour meter	●	
– Low battery lift interrupt		
– Performance mode indicator		
– Fault indicator		
Electro-mechanical park brake	●	
Electronic horn	●	
On-board software		
– Program, test and diagnose	●	
– No handset required		
– Password protected		
Convenience tray (load backrest mounted or battery mounted)		●
RF terminal power supply – 24-volt		●
Audible alarm		●
Visible alarm – pole mounted amber strobe		●
Blue LED spotlight		●
White rubber platform markers	●	
LED platform lights		●
LED fork lights		●
Stretch film roll holder		●
Operator fan		●
Toe guard		●
Dual USB ports		●
Data terminal mount		●
12 Volt DC outlet		●
CONSTRUCTION	STD	OPT
UL Classification "E"	●	
UL Classification "EE"	●	
Application/environmental construction		
– Standard construction operating temperatures: +32°F to 120°F	●	
– Cooler/freezer package: operating temps: 0°F to +120°F		●
– SUBZERO freezer package: operating temps: -40°F to +120°F		●
– Wash down package: operating temps: 0°F to +120°F		●
– Extreme corrosion wash down package: operating temps: 0°F to +120°F		●
37.2" operator platform	●	
38.7" extended operator platform		●
Key ignition switch	●	
Key ignition switch with touch screen password access		●
Keyless toggle start switch		●
Keyless toggle start switch with touch screen password access		●
32.0" x 13.4" open battery compartment	●	
Battery rollers		●
ENERGY SYSTEM	STD	OPT
Set for flooded cell	●	
Set for maintenance free		●
SUPPLEMENTAL	STD	OPT
Operating manual and labels – english	●	
Parts manual - printed or CD		●

About Yale



Yale Lift Truck Technologies leverages over a century of material handling experience and substantial investment in innovation to bring the most advanced technology-driven lift truck solutions to market. The company offers a full line of award-winning lift trucks, including reach trucks, order pickers, turret trucks, pallet jacks and trucks, pallet stackers, tow tractors and counterbalanced forklifts, as well as powerful operator assist solutions, proven robotics and a wide range of power sources to help customers adapt to today's demanding supply chain. Yale and its independent dealer network support these solutions with comprehensive after-sales service, parts, financing and training.

Yale Lift Truck Technologies is a trading name of Hyster-Yale Asia-Pacific Pty Ltd., a wholly owned subsidiary of Hyster-Yale Materials Handling, Inc.(NYSE:HY) which is headquartered in Cleveland, Ohio and operates globally.

MATERIALS HANDLING FOR:

Third-party logistics (3PL)

Auto parts distribution

Beverage

Cold & frozen foods

Food distribution

Food processing

Furniture & furnishings

Government

Health & pharma


Home centers & durables

Retail & e-commerce

Yale Lift Truck Technologies | Pacific
1/23 Rowood Road
Prospect NSW 2148

Yale Lift Truck Technologies | Asia
16 Tuas Avenue 20
Singapore 638827

yale.com

© 2023 Hyster-Yale Group, Inc., all rights reserved. YALE and  are trademarks of Hyster-Yale Group, Inc. Trucks may be shown with optional equipment and/or features not available in all regions. Specifications and details in this brochure are subject to change without prior notification.