
Yale

Lithium-Ion Powered Pallet Truck

MPC15 / 1500 KG

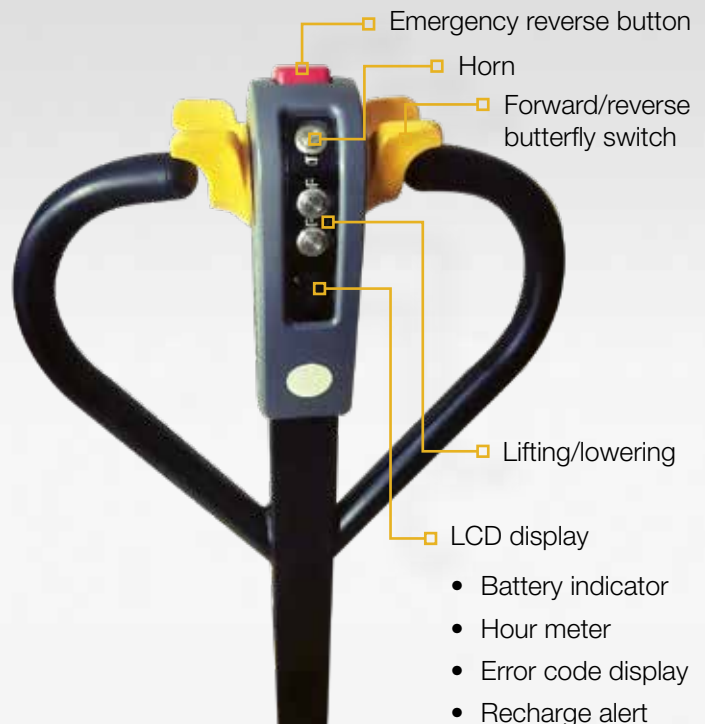


MPC15

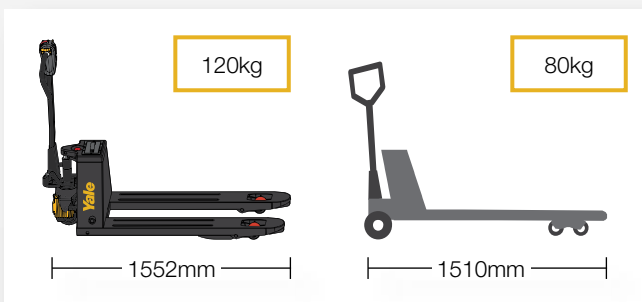
The Yale® lithium-ion powered pallet truck MPC15 offers improved efficiency, reduced strain on operators and an excellent cost of ownership. Compact and lightweight, with minimal maintenance requirements, similar to a hand pallet truck. The MPC15 can work at three times the intensity and with a 6-second battery exchange time; is ideal for continuous operations.

Productivity — Cost of Ownership Delivered — Reliable

- Compact and lightweight design
- Powered travelling, lifting and lowering
- Efficiency is tripled over a hand pallet truck
- 6-second battery exchange; suitable for continuous operations
- Intelligent Remote Control key option (Standard for Australia)
- Re-charge alert
- Optional large battery with 3-hour fast charger
- Emergency reverse “belly” button
- Ergonomic, multi-function handle with LCD display to maximise uptime
- Easy and simple to maintain
- Maintenance free components; brushless drive motor and lithium-ion battery
- 60-second drive wheel replacement
- Durable steel frame and protective cover
- Performs well on gradients



► Powered Pallet Truck VS. Hand Pallet Truck



Compact and Lightweight



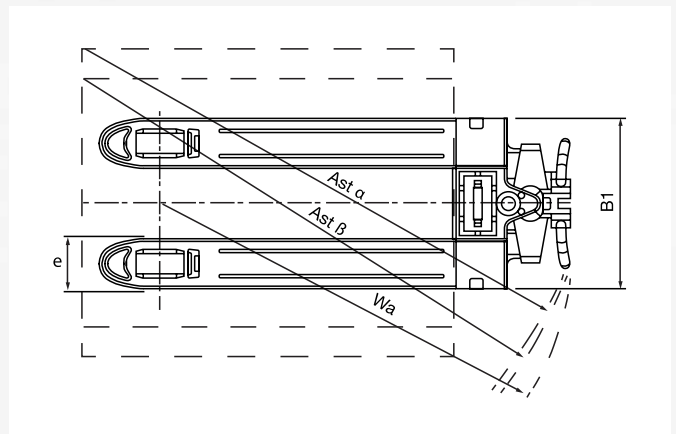
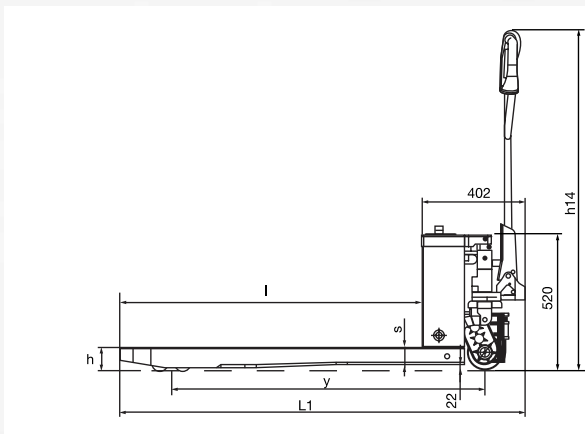
Single / Tandem Load Wheels



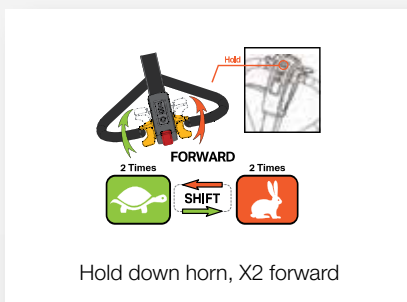
Protective Cover

► Specifications and Dimensions

Manufacturer	Measurement	Yale	
Model designation		MPC15	
Operator type		Pedestrian	
Rated capacity	Q (kg)	1500	
Load center	c (mm)	600	
Overall fork width	B1 (mm)	550 / 685	
Fork dimensions	s x e x l (mm)	58 x 160 x 1150	58 x 160 x 1220
Wheelbase	y (mm)	1197	1267
Overall length	L1 (mm)	1552	1622
Turning radius	Wa (mm)	1353	1426
Aisle width for pallets 1000 x 1200 crossways / 800 x 1200 lengthways	AST α / β (mm)	1718 / 1687	
Lowered height - top of forks	h (mm)	82	
Total lift	h3 (mm)	115	
Height of tiller (min. / max.)	h14 (mm)	640 / 1250	
Maximum gradeability (laden / unladen)	%	6% / 20%	
Travel speed (laden / unladen)	Km/h	4.0 / 4.5	
Control type		DC	
Drive / lift motor	Kw	0.75 / 0.5	
Lift speed - laden / unladen (lowering speed - laden / unladen)	m/s	0.018 / 0.023 (0.056 / 0.046)	
Travel brake type		Regenerative	
Service brake type		Electromagnetic	
Service weight (inc. battery)	Kg	120	125
Axle loading laden front / rear (unladen front / rear)	Kg	1134 / 486 (88 / 32)	
Drive wheel x(1)		Ø140 x 55 Poly	
Load wheel (single x(2) / dual x(4))		Ø80 x 93 Poly / Ø80 x 70 Poly	
Battery type		Lithium	
Battery capacity	Ah	10 / 15	
Battery voltage	V	48	
Power consumption in accordance with VDI cycle	kWh/h	0.42	
Sound level at the drivers ear EN / DIN 12053	dB (A)	69	



► Operator Assist Features



Hold down horn, X2 forward

Speed Setting

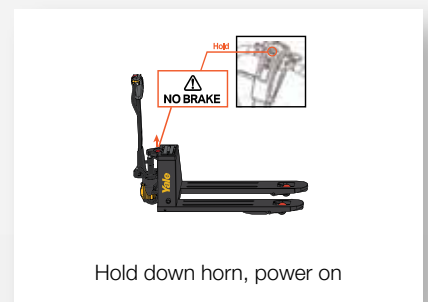
Convenient fast / slow pre-set speeds



Press and hold: reverse button + forward throttle, power on

Up-Right Drive

Maximise efficiency in tight spaces



Hold down horn, power on

Service Mode

Utilise brake release in emergencies

Yale® Dealers

Contact your nearest
Yale® Dealership by visiting
www.yale.com.au



Contact your local Yale® Dealer

Yale Pacific

1 Bullecourt Avenue, Milperra NSW, Australia 2214

Tel: +61 (2) 9795 3800 | Fax: +61 (2) 9792 8484

yale.com/pacific/en-au


Yale Asia

16 Tuas Avenue 20, Singapore 638827

Tel: +65 6863 3387 | Fax: +65 6863 3349

yale.com/asia/en-sg

Yale, and PEOPLE. PRODUCTS. PRODUCTIVITY are trademarks of Hyster-Yale Group, Inc.

 is a registered copyright of Hyster-Yale Group, Inc.

©Yale Asia Pacific 2022. All rights reserved. Specifications and details in this brochure are subject to change without prior notification.

www.yale.com.au



Manufactured in our own ISO 9001 and 14001 Registered Facilities

Trucks may be shown with optional equipment.

Yale
People. Products. Productivity.™