

ESC-AD

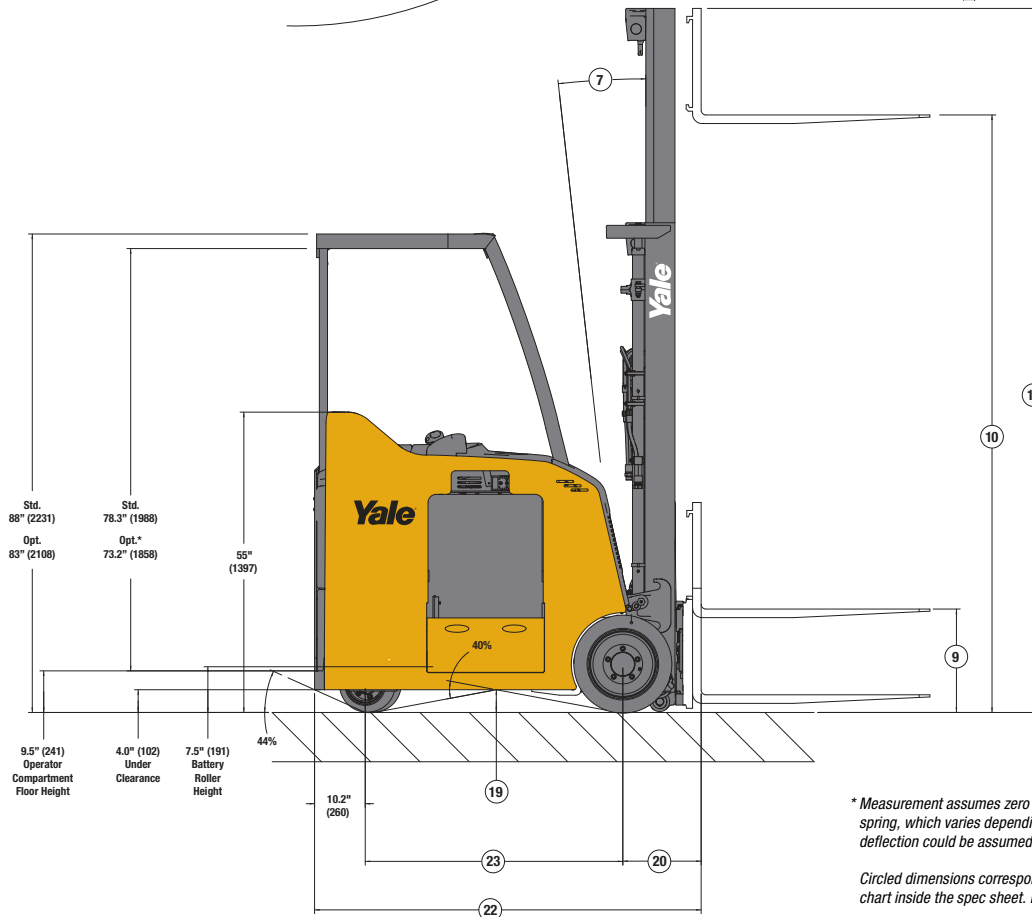
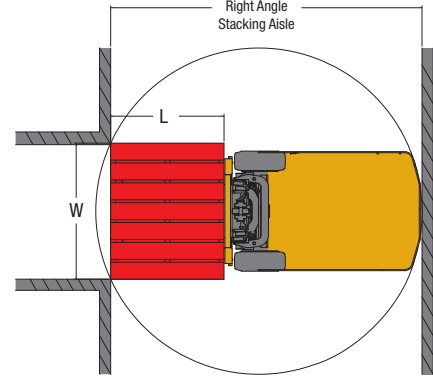
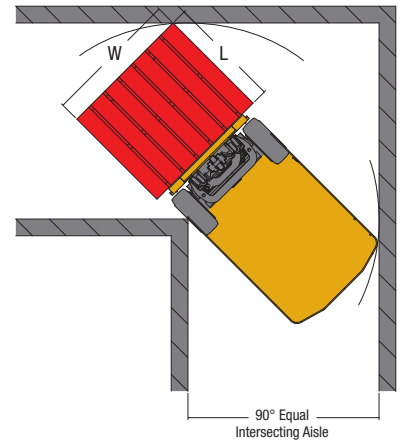
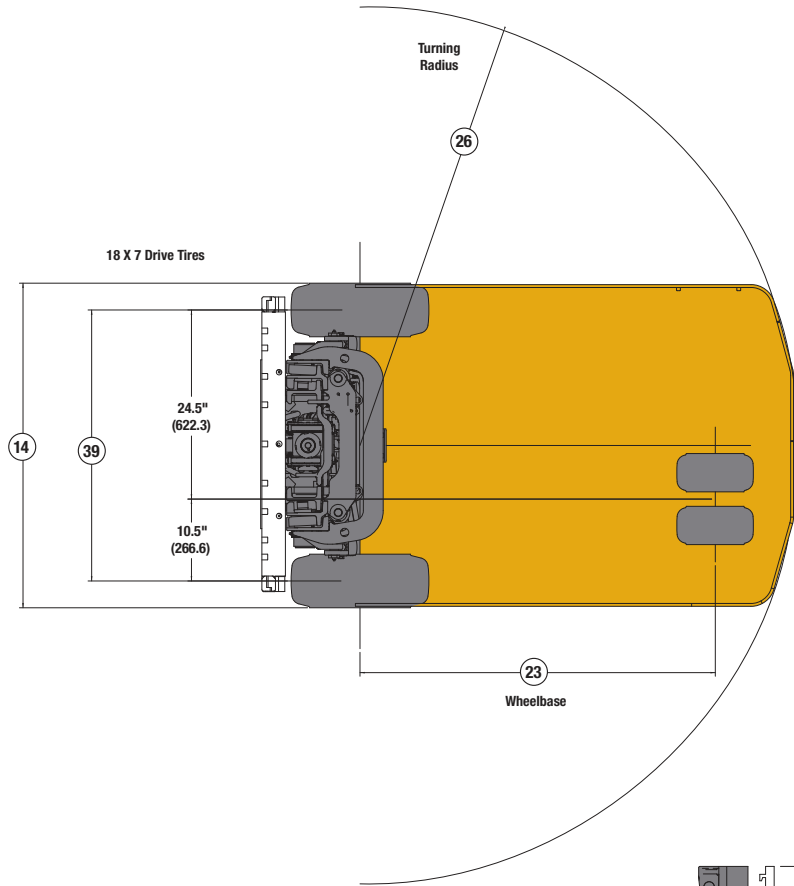
Three-Wheel Stand

3,000 / 3,500 / 4,000 lbs.

- Multifunction control handle provides simultaneous control of travel and hydraulic functions
- Yale[®] Smart Operator Sensing System includes no pedals providing operators with more useable floor space than leading competitors; detection sensors confirm proper operating position
- Yale[®] Smart Ride Floor System eliminates up to 65% of shock and vibration transmitted to the operator
- Rugged Clear View[™] mast design offers 40% greater visibility than leading competitors



Truck Dimensions



* Measurement assumes zero compression of floor plate suspension spring, which varies depending on operator weight (typical 1/2" deflection could be assumed for increased operator height clearance).

Circled dimensions correspond to the line numbers on the tabulated chart inside the spec sheet. Dimensions are in inches (millimeters).

General Specifications ESC-AD

GENERAL	1	Manufacturer		Yale			
	2	Model designation		ESC030AD			
	3	Power/voltage		Electric/36 volts			
	4	Operation type		Stand			
	5	Rated capacity	lb (kg)	3000 (1361)			
	6	Load center	in (mm)	24 (609)			
DIMENSIONS	7	Mast tilt std (opt)		degrees 5F/5B (10F/5B)			
	8	Mast – lowered height (std mast)		in (mm) 84 (2130)			
	9	Free lift – top of fork (std 2-stage limited free lift (LFF) mast)		in (mm) 5 (140)			
	9a	Free lift – top of fork (opt 2-stage full free lift (FFL) mast w/wo LBR)		in (mm) 33/61 (860/1555)			
	10	Lift height – top of fork (std 2-stage LFL mast)		in (mm) 131 (3332)			
	11	Mast – extended height (std mast with/without LBR)		in (mm) 180/154 (4555/3912)			
	12	Overhead guard height (std/opt)		in (mm) 88/83 (2234/2108)			
	13	Grade clearance		%			
	14	Overall width		in (mm) 42 (1067)			
	15	Forks (thickness x width x length)		in (mm) 1.5 x 4 x 42 (38 x 102 x 1067)			
	16	Standard carriage width (class II)		in (mm) 38.5 (978)			
	17	Floor to top of battery rollers		in (mm) 7.5 (190)			
	19	Ground clearance (center of wheelbase) NL		in (mm) 4 (102)			
	20	Load distance (ctr of wheel to face of forks)	3-stage FFL Clear View™ mast †		in (mm) 12.8 (327)		
	20a		2-stage LFL/FFL, 3-stage FFL Hi-Vis™ mast ††		in (mm) 12.6 (321)		
	20b		4-stage mast †††		in (mm) N/A N/A 18.3 (464)		
	21	Battery compartment	Height		in (mm) 31.1 (790)		
	21a		Length		in (mm) 13.8 (352) 16.0 (408) 18.3 (464)		
	21b		Width	Nominal	size 38"		
	21c		Width	Actual	in (mm) 38.6 (980)		
	22	Length to face of forks		in (mm) 62.3 (1583) 64.5 (1639) 66.7 (1695)			
	23	Wheelbase		in (mm) 39.4 (1001) 41.6 (1057) 43.8 (1113)			
	24	Aisle width*		in (mm) 111.3 (2827) 113.4 (2880) 115.5 (2934)			
	25	Equal aisle, 90° intersecting aisle*		in (mm) 68.0 (1728) 68.5 (1740) 69.0 (1752)			
	26	Turning radius		in (mm) 50.7 (1289) 52.8 (1341) 54.9 (1395)			
	PERFORMANCE	27	Travel speed (NL/RL)		mph (km/h) 7.2/7.2 (11.6/11.6)		
28		Lift speed	Std 2-stage LFL mast (NL/RL)		ft/min (m/sec) 87/59 (0.44/0.30)		
28a			Opt 2-stage FFL mast (NL/RL)		ft/min (m/sec) 87/59 (0.44/0.30)		
28b			Opt 3-stage FFL Clear View™ mast (NL/RL)		ft/min (m/sec) 99/69 (0.50/0.35)		
28c			Opt 3-stage FFL mast (NL/RL)		ft/min (m/sec) 83/65 (0.42/0.33)		
28d			Opt 4-stage FFL mast (NL/RL)		ft/min (m/sec) N/A N/A 113/79 (0.57/0.40)		
29		Lower speed	Std 2-stage LFL mast (NL/RL)		ft/min (m/sec) 63/100 (0.32/0.51)		
29a			Opt 2-stage FFL mast (NL/RL)		ft/min (m/sec) 61/98 (0.31/0.50)		
29b			Opt 3-stage FFL Clear View™ mast (NL/RL)		ft/min (m/sec) 71/102 (0.36/0.52)		
29c			Opt 3-stage FFL mast (NL/RL)		ft/min (m/sec) 71/88 (0.36/0.45)		
29d		Opt 4-stage FFL mast (NL/RL)		ft/min (m/sec) N/A N/A 86/100 (0.44/0.51)			
30		Gradeability	5 minute rating (NL/RL)		%		
31		Drawbar pull	5 minute rating (NL/RL)		lbf 2602/2356		
32		Brake	Method of control		Spring apply/elec. released		
32a		Method of operation		Foot			
WEIGHT	33	Truck weight	Without battery (NL)	lb (kg) 6353 (2882) 6373 (2891) 6263 (2841)			
	34	Axle loading – drive	Static with max. wt. battery (NL/RL)	lb (kg) 3991/9149 (1810/4150) 4080/9107 (1851/4131) 4260/9765 (1932/4429)			
	35	Axle loading – steer	Static with max. wt. battery (NL/RL)	lb (kg) 4462/2304 (2024/1045) 4572/2545 (2074/1154) 4702/2198 (2133/997)			
TIRE/WHEELS	36	Tire type – rubber, polyurethane etc. (drive/steer)		Rubber/polyurethane			
	37	Tire size (drive/steer)		in 18 x 7 - 12.1/10 x 5 - 6.5			
	38	Wheels – number (X=driven) drive/steer		2X/2			
39	Tread (tires) std dr/steer/steer		in (mm) 35/10.5/24.5 (889/267/622)				
BATTERY	40	Battery	Type	Lead acid			
	40a		Volts	36			
	40b		Minimum weight	lb (kg) 1700 (771) 1980 (898) 2300 (1043)			
MOTORS	41	Traction motors (dual) 60 minute rating each		hp (kW) 6.4 (4.8)			
	42	Pump motor 15 minute rating		hp (kW) 16.1 (12)			
	43	Traction motors (type/control method)		AC/Transistor			
	44	Pump motor (type/control method)		AC/Transistor			
	45	Number of speeds (traction & pump)		Infinitely variable			
OTHER	46	Step height		in (mm) 9.5 (241)			
	47	Attachment relief pressure		psi (bar) 2000 (138)			
	49	Sound level (measured per ANSI B56.11.5)		dB (A) 69			

Specifications, unless otherwise listed, are for a standard truck without optional equipment.

RL = Rated Load, NL = No Load

*Right angle stack and equal intersecting aisle dimensions provided with a 48" long and 40" wide pallet load, 2-stage LFL mast with standard carriage, allowing zero clearance.
RAS = Turn radius + load distance + load length + clearance

† 3-stage FFL Clear View™ mast add 1.8" for S/S

†† 2-stage LFL/2 stage-FFL/3-stage FFL Hi-Vis™ mast add 1.7" for S/S

††† 4-stage FFL mast add 1.4" for S/S

General Specifications ESC-AD

		Yale					
GENERAL	1	Manufacturer		ESC035AD	ESC035AD	ESC040AD	
	2	Model designation					
	3	Power/voltage		Electric/36 volts			
	4	Operation type		Stand			
	5	Rated capacity	lb (kg)	3500 (1588)	3500 (1588)	4000 (1814)	
	6	Load center	in (mm)	24 (609)			
DIMENSIONS	7	Mast tilt std (opt)		degrees			
	8	Mast – lowered height (std mast)		in (mm)			
	9	Free lift – top of fork (std 2-stage limited free lift (LFF) mast)		in (mm)			
	9a	Free lift – top of fork (opt 2-stage full free lift (FFL) mast w/wo LBR)		in (mm)			
	10	Lift height – top of fork (std 2-stage LFL mast)		in (mm)			
	11	Mast – extended height (std mast with/without LBR)		in (mm)			
	12	Overhead guard height (std/opt)		in (mm)			
	13	Grade clearance		%			
	14	Overall width		in (mm)			
	15	Forks (thickness x width x length)		in (mm)			
	16	Standard carriage width (class II)		in (mm)			
	17	Floor to top of battery rollers		in (mm)			
	19	Ground clearance (center of wheelbase) NL		in (mm)			
	20	Load distance (ctr of wheel to face of forks)	3-stage FFL Clear View™ mast †	in (mm)			
	20a		2-stage LFL/FFL, 3-stage FFL Hi-Vis™ mast ††	in (mm)			
	20b		4-stage mast †††	in (mm)			
	21	Battery compartment	Height	in (mm)			
	21a		Length	18.3 (464)	20.8 (528)	20.8 (528)	
	21b		Width	Nominal	size		
	21c		Width	Actual	in (mm)		
	22	Length to face of forks		in (mm)			
	23	Wheelbase		in (mm)			
	24	Aisle width*		in (mm)			
	25	Equal aisle, 90° intersecting aisle*		in (mm)			
	26	Turning radius		in (mm)			
	PERFORMANCE	27	Travel speed (NL/RL)		mph (km/h)		
28		Lift speed	Std 2-stage LFL mast (NL/RL)	ft/min (m/sec)			
28a			Opt 2-stage FFL mast (NL/RL)	ft/min (m/sec)			
28b			Opt 3-stage FFL Clear View™ mast (NL/RL)	ft/min (m/sec)			
28c			Opt 3-stage FFL mast (NL/RL)	83/62 (0.42/0.32)	83/62 (0.42/0.32)	83/59 (0.42/0.30)	
28d			Opt 4-stage FFL mast (NL/RL)	113/76 (0.57/0.38)	113/76 (0.57/0.38)	113/68 (0.57/0.35)	
29		Lower speed	Std 2-stage LFL mast (NL/RL)	ft/min (m/sec)			
29a			Opt 2-stage FFL mast (NL/RL)	ft/min (m/sec)			
29b			Opt 3-stage FFL Clear View™ mast (NL/RL)	ft/min (m/sec)			
29c			Opt 3-stage FFL mast (NL/RL)	ft/min (m/sec)			
29d			Opt 4-stage FFL mast (NL/RL)	ft/min (m/sec)			
30		Gradeability	5 minute rating (NL/RL)	%			
31		Drawbar pull	5 minute rating (NL/RL)	lbf			
32		Brake	Method of control	Spring apply/elec. released			
32a		Method of operation	Foot				
WEIGHT	33	Truck weight	Without battery (NL)	6745 (3059)	6316 (2865)	6801 (3085)	
	34	Axle loading – drive	Static with max. wt. battery (NL/RL)	4256/10678 (1930/4843)	4388/10653 (1990/4832)	4477/11637 (2031/5278)	
	35	Axle loading – steer	Static with max. wt. battery (NL/RL)	5188/2266 (2353/1028)	4978/2214 (2258/1004)	5569/2409 (2526/1093)	
TIRE/WHEELS	36	Tire type – rubber, polyurethane etc. (drive/steer)		Rubber/polyurethane			
	37	Tire size (drive/steer)		in			
	38	Wheels – number (X=driven) drive/steer		2X/2			
	39	Tread (tires) std dr/steer/steer		in (mm)			
BATTERY	40	Battery	Type	Lead acid			
	40a		Volts	36			
	40b		Minimum weight	2300 (1043)	2500 (1152)	2695 (1222)	
MOTORS	41	Traction motors (dual) 60 minute rating each		hp (kW)			
	42	Pump motor 15 minute rating		hp (kW)			
	43	Traction motors (type/control method)		AC/Transistor			
	44	Pump motor (type/control method)		AC/Transistor			
	45	Number of speeds (traction & pump)		Infinitely variable			
OTHER	46	Step height		in (mm)			
	47	Attachment relief pressure		psi (bar)			
	49	Sound level (measured per ANSI B56.11.5)		dB (A)			

Specifications, unless otherwise listed, are for a standard truck without optional equipment. *Right angle stack and equal intersecting aisle dimensions provided with a 48" long and 40" wide pallet load, 2-stage LFL mast with standard carriage, allowing zero clearance.

RL = Rated Load, NL = No Load

RAS = Turn radius + load distance + load length + clearance

† 3-stage FFL Clear View™ mast add 1.8" for S/S

†† 2-stage LFL/2 stage-FFL/3-stage FFL Hi-Vis™ mast add 1.7" for S/S

††† 4-stage FFL mast add 1.4" for S/S

Mast Dimensions

Maximum Fork Height	Overall Lowered Height	Overall Extended Height		Free Lift (TOF)	
		w/Load Backrest	w/o Load Backrest	w/Load Backrest	w/o Load Backrest
in (mm)	in (mm)	in (mm)	in (mm)	in (mm)	in (mm)
2-Stage Limited Free Lift (LFL) Hi-Vis™ Mast (3000-4000 lb)					
131 (3332)	84 (2130)	180 (4562)	154 (3906)	5 (140)	5 (140)
139 (3532)	88 (2230)	188 (4762)	162 (4106)	5 (140)	5 (140)
2-Stage Full Free Lift (FFL) Hi-Vis™ Mast (3000-4000 lb)					
40 (1018)	48 (1220)	90 (2286)	75 (1905)	0 (0)	12 (305)
130 (3318)	84 (2130)	180 (4568)	154 (3913)	35 (900)	61 (1555)
138 (3518)	88 (2230)	188 (4768)	162 (4113)	39 (1000)	65 (1655)
3-Stage (FFL) (Clear View™) Mast (3000 lb only)					
157 (4000)	74 (1880)	206 (5229)	178 (4521)	25 (635)	53 (1346)
192 (4900)	86 (2180)	242 (6129)	213 (5410)	37 (940)	65 (1651)
198 (5050)	90 (2280)	248 (6279)	219 (5563)	41 (1041)	69 (1753)
210 (5350)	94 (2380)	259 (6579)	231 (5867)	45 (1143)	73 (1854)
216 (5500)	96 (2430)	265 (6726)	237 (6020)	47 (1194)	75 (1905)
3-Stage (FFL) Hi-Vis™ Mast (3000-4000 lb)					
187 (4750)	82 (2080)	236 (5980)	210 (5325)	33 (850)	59 (1505)
192 (4900)	84 (2230)	238 (6030)	212 (5375)	35 (900)	61 (1555)
198 (5050)	88 (2230)	248 (6280)	221 (5625)	39 (1000)	65 (1655)
222 (5650)	98 (2480)	271 (6880)	245 (6225)	49 (1250)	75 (1905)
228 (5800)	100 (2530)	277 (7030)	251 (6375)	51 (1300)	77 (1955)
4-Stage (FFL) Mast					
241 (6121)*	84 (2121)	289 (7340)	264 (6708)	37 (935)	60 (1524)
259 (6578)*	90 (2273)	306 (7772)	282 (7165)	43 (1087)	65 (1651)
283 (7188)†	99 (2502)	331 (8407)	306 (7775)	52 (1316)	74 (1880)

* Available on 3000 / 3500 / 4000 lb trucks with 18.3" or 20.8" battery compartment only

† Available on 3500 / 4000 lb trucks with 20.8" battery compartment only

Battery & Compartment Specifications

Truck Model	Compartment Dim.			Battery Dim - Max			Volts	No. of Cells	Plates per Cell	Max Capacity	Weight	
	Width	Length	Height	"X"	"Y"	"Z"					6 Hr Rate	Min
	in (mm)			in (mm)						amp hr (kwh)	lb (kg)	
ESC030AD standard 13.8" compartment	38.6 (980)	13.8 (351)	31.1 (790)	38.5 (978)	13.4 (340)	31 (787)	36	18	11	775 (27.1)	1700 (771)	2000 (907)
ESC030AD standard 16.0" compartment	38.6 (980)	16.0 (407)	31.1 (790)	38.5 (978)	15.6 (397)	31 (787)	36	18	13	930 (32.5)	1980 (898)	2300 (1043)
ESC030AD standard 18.3" compartment	38.6 (980)	18.3 (465)	31.1 (790)	38.5 (978)	17.9 (455)	31 (787)	36	18	15	1085 (37.9)	2300 (1043)	2700 (1225)
ESC035AD standard 18.3" compartment	38.6 (980)	18.3 (465)	31.1 (790)	38.5 (978)	17.9 (455)	31 (787)	36	18	15	1085 (37.9)	2300 (1043)	2700 (1225)
ESC035AD optional 20.8" compartment	38.6 (980)	20.8 (528)	31.1 (790)	38.5 (978)	20.4 (518)	31 (787)	36	18	17	1240 (43.3)	2500 (1152)	3050 (1383)
ESC040AD standard 20.8" compartment	38.6 (980)	20.8 (528)	31.1 (790)	38.5 (978)	20.4 (518)	31 (787)	36	18	17	1240 (43.3)	2695 (1222)	3050 (1383)
ESC040AD optional 18.3" compartment*	38.6 (980)	18.3 (465)	31.1 (790)	38.5 (978)	17.9 (455)	31 (787)	36	18	15	1085 (37.9)	2300 (1043)	2700 (1225)

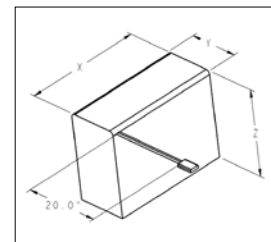
Battery compartment length is measured from front to rear.

Battery compartment width is measured across the truck.

Battery connector: 350 Amp / 36 Volt.

Battery lead: Length 20" (508 mm) "B" position.

* 20.8" battery compartment with a 3.0" spacer to accommodate an 18" battery.



ESC-AD

Models: ESC030AD, ESC035AD, ESC040AD

Standard equipment	Options
<ul style="list-style-type: none">• Yale® iSi Technology™ control system• Multifunction control handle• Yale® Smart Operator Sensing System• Yale® Smart Ride Floor System• Rugged Hi-Vis™ mast design	<ul style="list-style-type: none">• Regulated auxiliary power supply (suitable for electronic equipment) 25 amps / 300 watts @ 12 volts• Headlights<ul style="list-style-type: none">– Mast mounted– Overhead guard mounted– LED or halogen• Rear work light (LED or halogen)• 10 degree forward tilt• Integral sideshifter• Integral sideshift fork positioner• Cooler/freezer package (operating temperatures: 0°F to + 120°F)• SubZero freezer package (operating temperatures: -40°F to + 120°F)• Various drive & steer tire types• Dome light• Single speed fan• Backup alarms• Data terminal mounting bracket• Strobe lights• Reduced speed tilt• Return to set tilt• Tilt interlock• Hydraulic attachment extension tubes with and without quick disconnect fittings• Keyless start• Battery gate interlock• Fire extinguisher• Quad masts• Trucker's style mast option (2-stage FFL)• Clear View™ mast• RF scanner holder• Overhead guard delete option¹• Rear operator compartment door²


¹ Requires dealer/customer verification confirming that the application meets ANSI/ITSDF B56.1 Section 4.5.1.4. A truck without an overhead guard cannot be used where there is risk of stacked loads falling on the driver. Contact Applications Engineering for additional details. Note: Special Chassis mounted headlights, work light and strobe light options are available for trucks that are not fitted with an overhead guard.

² Doors are intended to protect the operator from objects that may enter the operator's compartment but they may also slow the operator's egress in emergency situations. A review of the forklift's intended environment should be conducted before selecting a door as optional equipment.



YALE MATERIALS HANDLING CORPORATION • P.O. Box 7367, Greenville, NC 27835-7367

www.yale.com Manufactured in our own ISO 9001 and 14001 Registered Facilities

YALE,  and PEOPLE. PRODUCTS. PRODUCTIVITY. are trademarks, service marks or registered marks in the United States and certain other jurisdictions. © Yale Materials Handling Corporation 2017. All Rights Reserved.

Truck performance may be affected by the condition of the vehicle, how it is equipped and the application. Consult your Yale® Industrial Truck Dealer if any of the information shown is critical to your application. Specifications are subject to change without notice. CERTIFICATION: Yale lift trucks meet the design and construction requirements of B56.1-1969, per OSHA Section 1910.178(a)(2), and also comply with the B56.1 revision in effect at time of manufacture. Classified by Underwriters' Laboratories, Inc., as to fire and electric shock hazard only for Type E industrial trucks.