



# GDP/GLP 2.0-3.5N

SPEC SHEET

2,000 - 3,500 kg

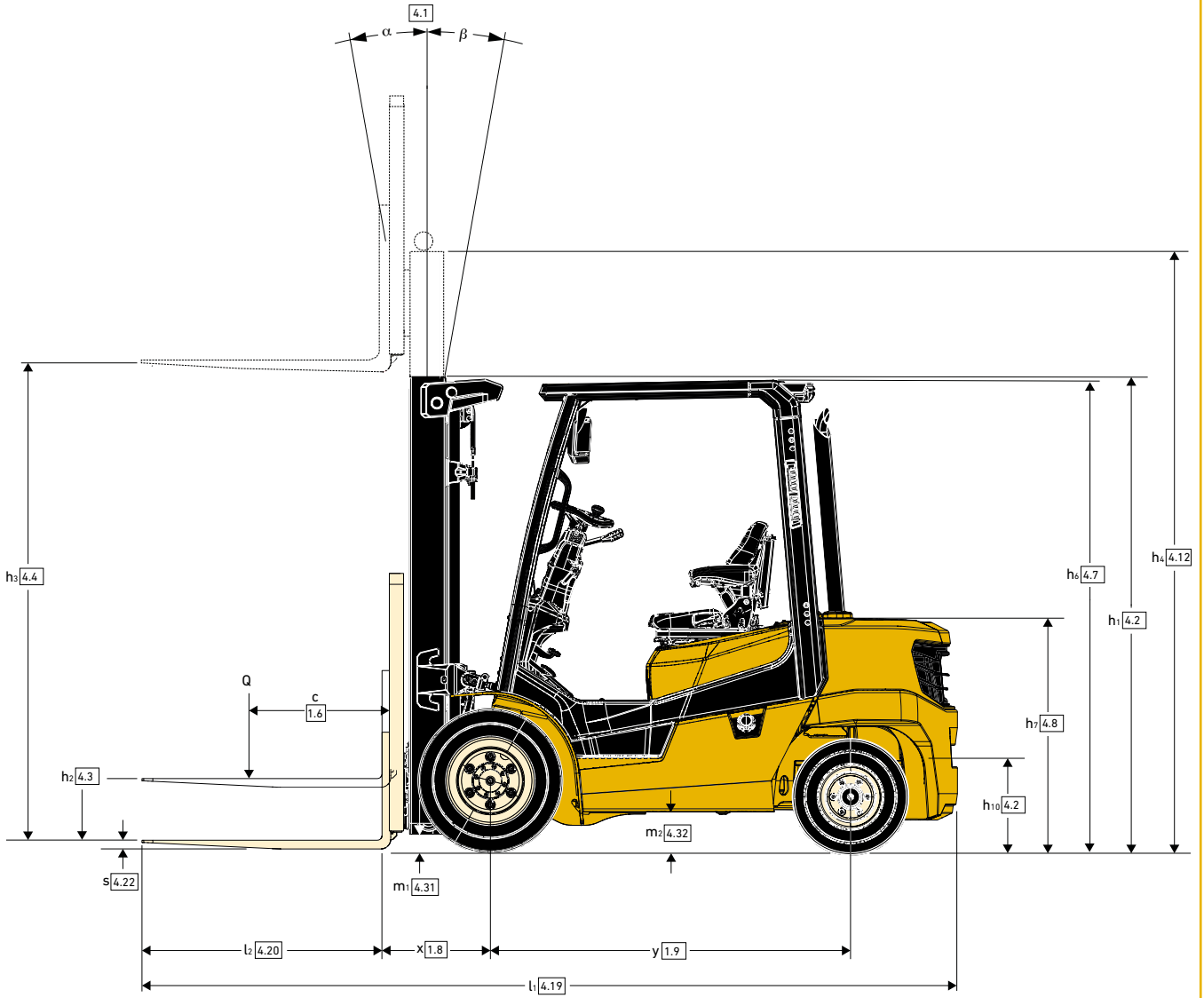
---

Series N

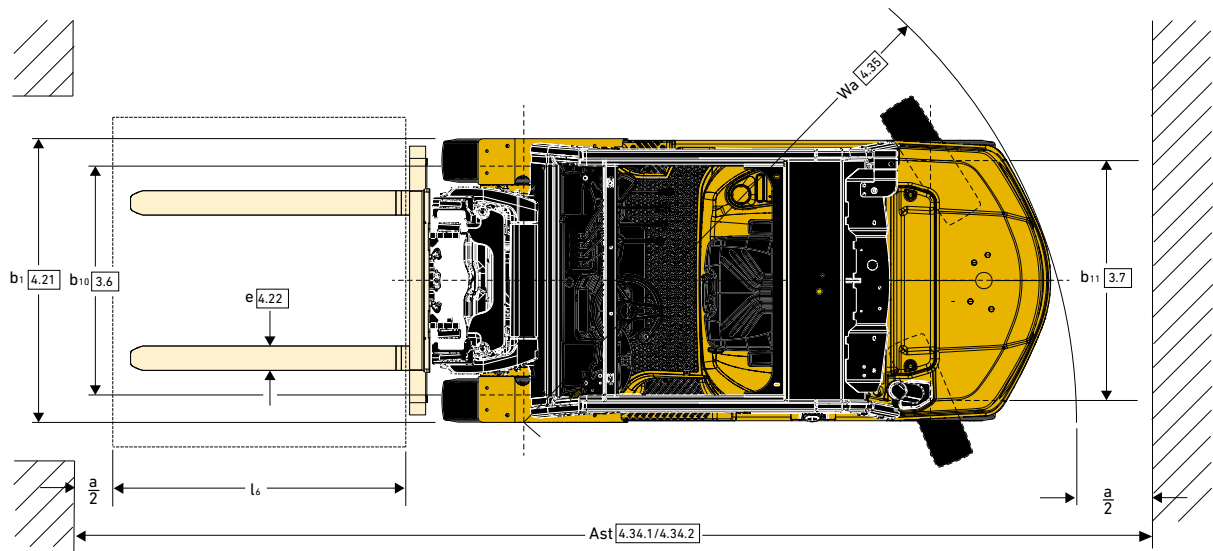
---

Diesel and LPG  
Forklift Trucks

# TRUCK DIMENSIONS – SERIES N



# TRUCK DIMENSIONS – SERIES N



## VDI 2198 – GENERAL SPECIFICATIONS – SERIES N

		Yale						
		GDP2.0N		GLP2.0N	GDP2.5N			
<b>GENERAL</b>	1.1	Manufacturer						
	1.2	Model designation						
	1.3	Drive	Diesel		LPG	Diesel		
	1.3.1	Engine	Yanmar 2.1L	Yanmar 3.0L	Yanmar 2.2L	Yanmar 2.1L	Yanmar 3.0L	
	1.3.2	CE Compliance / Emission Standard	Stage V	Tier III	Tier III & Stage V	Stage V	Tier III	
	1.3.3	Transmission	Electronic Powershift/Tectronix, 1-Speed					
	1.3.4	Brake Type	Drum Brakes					
	1.4	Operator type	Seated Rider					
	1.5	Rated capacity/rated load	Q (t)	2.0		2.5		
1.6	Load centre distance	c (mm)	500					
1.8	Load distance, centre of drive axle to fork	x (mm)	470					
1.9	Wheelbase	y (mm)	1650					
<b>WEIGHT</b>	2.1	Service weight	3613		3990			
	2.2	Axle loading laden, front/rear	4981 / 632		5698 / 792			
	2.3	Axle loading unladen, front/rear	1805 / 1808		1728 / 2262			
<b>TYRES</b>	3.1	Tyres, front/rear	Superelastic					
	3.2	Tyre size, front	7.00 X 12					
	3.3	Tyre size, rear	6.00 X 9					
	3.5	Number of wheels, front/rear (X = driven)	2x / 2					
	3.6	Tread, front	b <sub>10</sub> (mm)	983				
	3.7	Tread, rear	b <sub>11</sub> (mm)	958				
	<b>DIMENSIONS</b>	4.1	Tilt of mast / fork carriage forward / backward	$\alpha / \beta$ (°)		6/6		
4.2		Height, mast lowered	h <sub>1</sub> (mm)	2570				
4.3		Free lift <sup>(1)</sup>	h <sub>2</sub> (mm)	50				
4.4		Lift <sup>(1)</sup>	h <sub>3</sub> (mm)	3900				
4.5		Height, mast extended <sup>(2)</sup>	h <sub>4</sub> (mm)	4500				
4.7		Height of overhead guard	h <sub>6</sub> (mm)	2160				
4.8		Seat height relating to SIP/stand height <sup>(3)</sup>	h <sub>7</sub> (mm)	1145				
4.12		Coupling height	h <sub>10</sub> (mm)	440				
4.19		Overall length	l <sub>1</sub> (mm)	3534	3610			
4.20		Length to face of forks	l <sub>2</sub> (mm)	2534	2610			
4.21		Overall width (single / wide / dual)	b <sub>1</sub> /b <sub>2</sub> (mm)	1160 / 1280 / 1542				
4.22		Fork dimensions DIN ISO 2331	s/e/l (mm)	40 X 100 X 1000				
4.23		Fork carriage ISO 2328, class/type A, B	II A					
4.24		Fork carriage width <sup>(4)</sup>	b <sub>3</sub> (mm)	1070				
4.31		Ground clearance, laden, below mast	m <sub>1</sub> (mm)	130				
4.32		Ground clearance, centre of wheelbase	m <sub>2</sub> (mm)	160				
4.34.1		Aisle width for pallets 1000 x 1200 crossways	Ast (mm)	3861	3933			
4.34.2	Aisle width for pallets 800 x 1200 lengthways	Ast (mm)	4061	4133				
4.35	Turning radius	Wa (mm)	2191	2263				
4.36	Internal turning radius	b <sub>13</sub> (mm)	640					
4.41	90° intersecting aisle (with pallet W = 1200mm, L = 1000mm)	2018		2057				
4.42	Step height (from ground to running board)	(mm)	440					
4.43	Step height (between intermediate steps between running board and floor)	(mm)	250					
<b>PERFORMANCE</b>	5.1	Travel speed, laden/unladen	18.5 / 18.7	17.5 / 17.8	18.5 / 18.7	18.4 / 18.7	17.3 / 17.8	
	5.1.1	Travel speed, laden/unladen, backwards	18.8 / 19.0	17.7 / 18.1	18.8 / 19.0	18.7 / 19.0	17.6 / 18.1	
	5.2	Lift speed, laden/unladen <sup>(5)</sup>	0.61 / 0.65	0.6 / 0.65	0.61 / 0.65	0.60 / 0.65	0.59 / 0.65	
	5.3	Lowering speed, laden/unladen	0.58 / 0.5	0.58 / 0.49	0.58 / 0.50	0.58 / 0.50	0.58 / 0.49	
	5.5	Drawbar pull, laden/unladen <sup>(6)</sup>	N	15917	15233	17304	15758	15074
	5.7	Gradeability, laden/unladen <sup>(7)</sup>	%	30 / 30	29 / 30	33 / 30	26 / 26	24 / 26
	5.9	Acceleration time, laden/unladen (to 15m)	s	5.2 / 4.7	5.05 / 4.48	5.4 / 4.3	5.5 / 4.8	5.27 / 4.88
	5.10	Service brake	Hydraulic					
	<b>ENGINE</b>	7.1	Engine manufacturer / type	Yanmar / 4TNV86CT	Yanmar / 4TNE94L	Yanmar / 4TN88G / GN	Yanmar / 4TNV86CT	Yanmar / 4TNE94L
		7.2	Engine power according to ISO 1585	kW	36.6	34.1	42	36.6
7.3		Rated speed	min-1	2500	2200	2500	2500	2200
7.3.1		Torque at 1/min	(N-m/min)	167 / 1625	162 / 1500	174 / 1690	167 / 1625	162 / 1500
7.4		Number of cylinders/displacement	(-)/cm <sup>3</sup>	4 / 2091	4 / 3053	4 / 2190	4 / 2091	4 / 3053
7.5		Fuel consumption according to VDI 2198 (CDP/VDP)	l/h or kg/h	2.5 / 2.3	3.15 / 2.72	2.4 / 2.2	2.9 / 2.7	3.52 / 3.14
7.5.1		Fuel consumption according to VDI EN16796 (CDP/VDP)	l/h or kg/h	2.1 / 2.0	2.81/2.42	2.1 / 2.0	2.5 / 2.3	3.14 / 2.8
7.6		Turnover output (Power / ECO)	(l/h)	N/A			92 / 83	N/A
<b>OTHER</b>	8.1	Type of drive unit	Automatic					
	10.1	Operating pressure for attachments	bar					
	10.2	Oil volume for attachments <sup>(8)</sup>	l/min					
	10.3	Hydraulic oil tank, capacity	litres	34.2	40.6	40.6	34.2	40.6
	10.4	Fuel tank, capacity	litres	39.9	39.6	-	39.9	-
	10.7	Sound pressure level at the driver's seat <sup>(9)</sup>	dB(A)	78	82	77	78	82
	10.7.2	Guaranteed sound power 2001/ 14 / EC	dB(A)	101	N/A		101	
	10.8	Towing coupling type	Pin					

(1) Top of forks.

(2) Without load backrest.

(3) Full suspension seat to manufacturers SIP.

(4) Add 32mm with load backrest.

(5) Constant displacement hydraulic pump (CDP).

(6) At 1.6km/h.

(7) At 4.8km/h.

(8) Variable.

(9) LPAZ, measured according to the test cycles and based on the weighting values contained in EN12053.

## VDI 2198 – GENERAL SPECIFICATIONS – SERIES N

		Yale				
<b>GENERAL</b>	1.1	Manufacturer	Yale			
	1.2	Model designation	<b>GLP2.5N</b>	<b>GDP2.5N6</b>	<b>GLP2.5N6</b>	
	1.3	Drive	Diesel			
	1.3.1	Engine	Yanmar 2.2L	Yanmar 2.1L	Yanmar 3.3L	
	1.3.2	CE Compliance / Emission Standard	Tier III & Stage V	Stage V	Tier III	
	1.3.3	Transmission	Electronic Powershift/Tectronix, 1-Speed			
	1.3.4	Brake Type	Drum Brakes			
	1.4	Operator type	Seated Rider			
	1.5	Rated capacity/rated load	Q (t)	2.5		
1.6	Load centre distance	c (mm)	500			
1.8	Load distance, centre of drive axle to fork	x (mm)	470			
1.9	Wheelbase	y (mm)	1650			
<b>WEIGHT</b>	2.1	Service weight	3990	4292		
	2.2	Axle loading laden, front/rear	5698 / 792	5900 / 921		
	2.3	Axle loading unladen, front/rear	1728 / 2262	1778 / 2514		
<b>TYRES</b>	3.1	Tyres, front/rear	Superelastic			
	3.2	Tyre size, front	7.00 X 12	28 X 9 - 15		
	3.3	Tyre size, rear	6.00 X 9	6.5 X 10		
	3.5	Number of wheels, front/rear (X = driven)	2x / 2			
	3.6	Tread, front	b <sub>10</sub> (mm)	983	959	
	3.7	Tread, rear	b <sub>11</sub> (mm)	958		
	<b>DIMENSIONS</b>	4.1	Tilt of mast / fork carriage forward / backward	$\alpha / \beta$ (°)		
4.2		Height, mast lowered	h <sub>1</sub> (mm)	2570	2592	
4.3		Free lift <sup>(1)</sup>	h <sub>2</sub> (mm)	50		
4.4		Lift <sup>(1)</sup>	h <sub>3</sub> (mm)	3900		
4.5		Height, mast extended <sup>(2)</sup>	h <sub>4</sub> (mm)	4500		
4.7		Height of overhead guard	h <sub>6</sub> (mm)	2160	2182	
4.8		Seat height relating to SIP/stand height <sup>(3)</sup>	h <sub>7</sub> (mm)	1145	1167	
4.12		Coupling height	h <sub>10</sub> (mm)	440	452	
4.19		Overall length	l <sub>1</sub> (mm)	3610	3714	
4.20		Length to face of forks	l <sub>2</sub> (mm)	2610	2714	
4.21		Overall width (single / wide / dual)	b <sub>1</sub> /b <sub>2</sub> (mm)	1160 / 1280 / 1542	1186 / 1353 / 1545	
4.22		Fork dimensions DIN ISO 2331	s/e/l (mm)	40 X 100 X 1000	50 X 120 X 1000	
4.23		Fork carriage ISO 2328, class/type A, B	II A			
4.24		Fork carriage width <sup>(4)</sup>	b <sub>3</sub> (mm)	1070		
4.31		Ground clearance, laden, below mast	m <sub>1</sub> (mm)	130	152	
4.32		Ground clearance, centre of wheelbase	m <sub>2</sub> (mm)	160	182	
4.34.1		Aisle width for pallets 1000 x 1200 crossways	Ast (mm)	3933	4027	
4.34.2		Aisle width for pallets 800 x 1200 lengthways	Ast (mm)	4133	4227	
4.35		Turning radius	Wa (mm)	2263	2333	
4.36		Internal turning radius	b <sub>13</sub> (mm)	640	660	
4.41		90° intersecting aisle (with pallet W = 1200mm, L = 1000mm)		2057	2089	
4.42	Step height (from ground to running board)	(mm)	440	462		
4.43	Step height (between intermediate steps between running board and floor)	(mm)	250			
<b>PERFORMANCE</b>	5.1	Travel speed, laden/unladen	18.4 / 18.7		18.5 / 18.7	
	5.1.1	Travel speed, laden/unladen, backwards	18.7 / 19.0		18.8 / 19.0	
	5.2	Lift speed, laden/unladen <sup>(5)</sup>	0.60 / 0.65	0.60 / 0.65	0.58 / 0.65	
	5.3	Lowering speed, laden/unladen	0.58 / 0.50	0.58 / 0.50	0.58 / 0.49	
	5.5	Drawbar pull, laden/unladen <sup>(6)</sup>	N	17145	19314	
	5.7	Gradeability, laden/unladen <sup>(7)</sup>	%	28 / 26	30 / 25	
	5.9	Acceleration time, laden/unladen (to 15m)	s	5.9 / 4.5	5.2 / 4.7	
	5.10	Service brake	Hydraulic			
	<b>ENGINE</b>	7.1	Engine manufacturer / type	Yanmar / 4TN88G /GN	Yanmar / 4TNV86CHT	Yanmar 4TNE98
		7.2	Engine power according to ISO 1585	kW	42	44
7.3		Rated speed	min-1	2500	2500	
7.3.1		Torque at 1/min	(N-m/min)	174 / 1690	202 / 1675	
7.4		Number of cylinders/displacement	(-)/cm3	4 / 2190	4 / 2091	
7.5		Fuel consumption according to VDI 2198 (CDP/VDP)	l/h or kg/h	2.7 / 2.5	2.8 / 2.6	
7.5.1		Fuel consumption according to VDI EN16796 (CDP/VDP)	l/h or kg/h	2.4 / 2.2	2.3 / 2.2	
7.6		Turnover output (Power / ECO)	(l/h)	96 / 85	92 / 83	
<b>OTHER</b>	8.1	Type of drive unit	Automatic			
	10.1	Operating pressure for attachments	bar			
	10.2	Oil volume for attachments <sup>(8)</sup>	l/min			
	10.3	Hydraulic oil tank, capacity	litres	40.6	34.2	
	10.4	Fuel tank, capacity	litres	N/A	39.9	
	10.7	Sound pressure level at the driver's seat <sup>(9)</sup>	dB(A)	-	79	
	10.7.2	Guaranteed sound power 2001/ 14 /EC	dB(A)	101		
	10.8	Towing coupling type	Pin			

**Spec sheet truck based on:** 3290mm (2.5) / 3105mm (3.0) Top of Forks, 2 stage LFL mast with standard carriage, 1000mm forks with manual levers

## VDI 2198 – GENERAL SPECIFICATIONS – SERIES N

		Yale				
<b>GENERAL</b>	1.1	Manufacturer				
	1.2	Model designation	<b>GDP3.0N</b>			
	1.3	Drive	Diesel			
	1.3.1	Engine	Yanmar 2.1L	Yanmar 3.3L	Yanmar 2.2L	
	1.3.2	CE Compliance / Emission Standard	Stage V	Tier III	Tier III & Stage V	
	1.3.3	Transmission	Electronic Powershift/Tectronix, 1-Speed			
	1.3.4	Brake Type	Drum Brakes			
	1.4	Operator type	Seated Rider			
	1.5	Rated capacity/rated load	Q (t)	3.0		
	1.6	Load centre distance	c (mm)	500		
1.8	Load distance, centre of drive axle to fork	x (mm)	495			
1.9	Wheelbase	y (mm)	1700			
<b>WEIGHT</b>	2.1	Service weight	4642			
	2.2	Axle loading laden, front/rear	6635 / 1007			
	2.3	Axle loading unladen, front/rear	1880 / 2762			
<b>TYRES</b>	3.1	Tyres, front/rear	Superelastic			
	3.2	Tyre size, front	28 X 9 - 15			
	3.3	Tyre size, rear	6.5 X 10			
	3.5	Number of wheels, front/rear (X = driven)	2x / 2			
	3.6	Tread, front	b <sub>10</sub> (mm)	959		
	3.7	Tread, rear	b <sub>11</sub> (mm)	958		
	<b>DIMENSIONS</b>	4.1	Tilt of mast / fork carriage forward / backward	$\alpha / \beta$ (°)	6/6	
4.2		Height, mast lowered	h <sub>1</sub> (mm)	2692		
4.3		Free lift <sup>(1)</sup>	h <sub>2</sub> (mm)	50		
4.4		Lift <sup>(1)</sup>	h <sub>3</sub> (mm)	3880		
4.5		Height, mast extended <sup>(2)</sup>	h <sub>4</sub> (mm)	4552		
4.7		Height of overhead guard	h <sub>6</sub> (mm)	2182		
4.8		Seat height relating to SIP/stand height <sup>(3)</sup>	h <sub>7</sub> (mm)	1167		
4.12		Coupling height	h <sub>10</sub> (mm)	462		
4.19		Overall length	l <sub>1</sub> (mm)	3746		
4.20		Length to face of forks	l <sub>2</sub> (mm)	2746		
4.21		Overall width (single / wide / dual)	b <sub>1</sub> /b <sub>2</sub> (mm)	1186 / 1353 / 1545		
4.22		Fork dimensions DIN ISO 2331	s/e/l (mm)	50 X 120 X 1000		
4.23		Fork carriage ISO 2328, class/type A, B	III A			
4.24		Fork carriage width <sup>(4)</sup>	b <sub>3</sub> (mm)	1070		
4.31		Ground clearance, laden, below mast	m <sub>1</sub> (mm)	152		
4.32		Ground clearance, centre of wheelbase	m <sub>2</sub> (mm)	182		
4.34.1		Aisle width for pallets 1000 x 1200 crossways	A <sub>st</sub> (mm)	4069		
4.34.2		Aisle width for pallets 800 x 1200 lengthways	A <sub>st</sub> (mm)	4269		
4.35		Turning radius	W <sub>a</sub> (mm)	2374		
4.36		Internal turning radius	b <sub>13</sub> (mm)	660		
4.41		90° intersecting aisle (with pallet W = 1200mm, L = 1000mm)	2110			
4.42	Step height (from ground to running board)	(mm)	462			
4.43	Step height (between intermediate steps between running board and floor)	(mm)	250			
<b>PERFORMANCE</b>	5.1	Travel speed, laden/unladen	km/h 18.4 / 18.6			
	5.1.1	Travel speed, laden/unladen, backwards	km/h 18.7 / 18.9			
	5.2	Lift speed, laden/unladen <sup>(5)</sup>	m/s 0.56 / 0.61			
	5.3	Lowering speed, laden/unladen	m/s 0.58 / 0.53			
	5.5	Drawbar pull, laden/unladen <sup>(6)</sup>	N	19160	19867	
	5.7	Gradeability, laden/unladen <sup>(7)</sup>	%	26 / 24	27/24	
	5.9	Acceleration time, laden/unladen (to 15m)	s	5.3 / 4.7	5.24/4.53	
	5.10	Service brake	Hydraulic			
	<b>ENGINE</b>	7.1	Engine manufacturer / type	Yanmar / 4TNV86CHT	Yanmar 4TNE98	Yanmar / 4TN88G / GN
		7.2	Engine power according to ISO 1585	kW	44	42.4
7.3		Rated speed	min-1	2500	2300	
7.3.1		Torque at 1/min	(N-m/min)	202 / 1675	190/1700	
7.4		Number of cylinders/displacement	(-)/cm <sup>3</sup>	4 / 2091	4 / 3319	
7.5		Fuel consumption according to VDI 2198 (CDP/VDP)	l/h or kg/h	3.2 / 2.9	4.26 / 3.84	
7.5.1		Fuel consumption according to VDI EN16796 (CDP/VDP)	l/h or kg/h	2.6 / 2.4	3.79 / 3.42	
7.6		Turnover output (Power / ECO)	(l/h)	90 / 82	N/A	
<b>OTHER</b>	8.1	Type of drive unit	Automatic			
	10.1	Operating pressure for attachments	bar 180			
	10.2	Oil volume for attachments <sup>(8)</sup>	l/min 60			
	10.3	Hydraulic oil tank, capacity	litres	34.2	40.6	
	10.4	Fuel tank, capacity	litres	39.9	39.9	
	10.7	Sound pressure level at the driver's seat <sup>(9)</sup>	dB(A)	79	82	
	10.7.2	Guaranteed sound power 2001/ 14 /EC	dB(A)	101	N/A	
	10.8	Towing coupling type	Pin			

(1) Top of forks.

(2) Without load backrest.

(3) Full suspension seat to manufacturers SIP.

(4) Add 32mm with load backrest.

(5) Constant displacement hydraulic pump (CDP).

(6) At 1.6km/h.

(7) At 4.8km/h.

(8) Variable.

(9) LPAZ, measured according to the test cycles and based on the weighting values contained in EN12053.

## VDI 2198 – GENERAL SPECIFICATIONS – SERIES N

		Yale				
<b>GENERAL</b>	1.1	Manufacturer				
	1.2	Model designation	<b>GDP3.5N</b>			
	1.3	Drive	Diesel			
	1.3.1	Engine	Yanmar 2.1L	Yanmar 3.3L	Yanmar 2.2L	
	1.3.2	CE Compliance / Emission Standard	Stage V	Tier III	Tier III & Stage V	
	1.3.3	Transmission	Electronic Powershift/Tectronix, 1-Speed			
	1.3.4	Brake Type	Drum Brakes			
	1.4	Operator type	Seated Rider			
	1.5	Rated capacity/rated load	Q (t)	3.5		
	1.6	Load centre distance	c (mm)	500		
1.8	Load distance, centre of drive axle to fork	x (mm)	495			
1.9	Wheelbase	y (mm)	1700			
<b>WEIGHT</b>	2.1	Service weight	kg		4910	
	2.2	Axle loading laden, front/rear	kg		7230 / 1180	
	2.3	Axle loading unladen, front/rear	kg		1683 / 3227	
<b>TYRES</b>	3.1	Tyres, front/rear	Superelastic			
	3.2	Tyre size, front	28 X 9 - 15			
	3.3	Tyre size, rear	6.5 X 10			
	3.5	Number of wheels, front/rear (X = driven)	2x / 2			
	3.6	Tread, front	b <sub>10</sub> (mm)	959		
	3.7	Tread, rear	b <sub>11</sub> (mm)	958		
	<b>DIMENSIONS</b>	4.1	Tilt of mast / fork carriage forward / backward	$\alpha / \beta$ (°)		6/6
4.2		Height, mast lowered	h <sub>1</sub> (mm)		2692	
4.3		Free lift <sup>(1)</sup>	h <sub>2</sub> (mm)		50	
4.4		Lift <sup>(1)</sup>	h <sub>3</sub> (mm)		3880	
4.5		Height, mast extended <sup>(2)</sup>	h <sub>4</sub> (mm)		4552	
4.7		Height of overhead guard	h <sub>6</sub> (mm)		2182	
4.8		Seat height relating to SIP/stand height <sup>(3)</sup>	h <sub>7</sub> (mm)		1167	
4.12		Coupling height	h <sub>10</sub> (mm)		462	
4.19		Overall length	l <sub>1</sub> (mm)		3813	
4.20		Length to face of forks	l <sub>2</sub> (mm)		2813	
4.21		Overall width (single / wide / dual)	b <sub>1</sub> /b <sub>2</sub> (mm)		1186 / 1353 / 1545	
4.22		Fork dimensions DIN ISO 2331	s/e/l (mm)		50 X 120 X 1000	
4.23		Fork carriage ISO 2328, class/type A, B	III A			
4.24		Fork carriage width <sup>(4)</sup>	b <sub>3</sub> (mm)		1070	
4.31		Ground clearance, laden, below mast	m <sub>1</sub> (mm)		152	
4.32		Ground clearance, centre of wheelbase	m <sub>2</sub> (mm)		182	
4.34.1		Aisle width for pallets 1000 x 1200 crossways	Ast (mm)		4144	
4.34.2		Aisle width for pallets 800 x 1200 lengthways	Ast (mm)		4344	
4.35		Turning radius	Wa (mm)		2449	
4.36		Internal turning radius	b <sub>13</sub> (mm)		660	
4.41	90° intersecting aisle (with pallet W = 1200mm, L = 1000mm)				2149	
4.42	Step height (from ground to running board)	(mm)		462		
4.43	Step height (between intermediate steps between running board and floor)	(mm)		250		
<b>PERFORMANCE</b>	5.1	Travel speed, laden/unladen	km/h		18.4/18.6	
	5.1.1	Travel speed, laden/unladen, backwards	km/h		18.7/18.9	
	5.2	Lift speed, laden/unladen <sup>(5)</sup>	m/s		0.56 / 0.61	
	5.3	Lowering speed, laden/unladen	m/s		0.58 / 0.53	
	5.5	Drawbar pull, laden/unladen <sup>(6)</sup>	N		19021	
	5.7	Gradeability, laden/unladen <sup>(7)</sup>	%		25 / 20	
	5.9	Acceleration time, laden/unladen (to 15m)	s		5.5 / 4.8	
	5.10	Service brake	Hydraulic			
	<b>ENGINE</b>	7.1	Engine manufacturer / type	Yanmar / 4TNV86CHT	Yanmar 4TNE98	Yanmar / 4TN88G / GN
		7.2	Engine power according to ISO 1585	kW		44
7.3		Rated speed	min-1		2500	
7.3.1		Torque at 1/min	(N-m/min)		202 / 1675	
7.4		Number of cylinders/displacement	(-)/cm <sup>3</sup>		4 / 2091	
7.5		Fuel consumption according to VDI 2198 (CDP/VDP)	l/h or kg/h		4.80 / 4.34	
7.5.1		Fuel consumption according to VDI EN16796 (CDP/VDP)	l/h or kg/h		3.5 / 3.2	
7.6		Turnover output (Power / ECO)	(l/h)		2.9 / 2.6	
<b>OTHER</b>	8.1	Type of drive unit	Automatic			
	10.1	Operating pressure for attachments	bar		180	
	10.2	Oil volume for attachments <sup>(8)</sup>	l/min		60	
	10.3	Hydraulic oil tank, capacity	litres		34.2	
	10.4	Fuel tank, capacity	litres		39.9	
	10.7	Sound pressure level at the driver's seat <sup>(9)</sup>	dB(A)		79	
	10.7.2	Guaranteed sound power 2001/ 14 / EC	dB(A)		101	
	10.8	Towing coupling type	Pin			

**Spec sheet truck based on:** 3290mm (2.5) / 3105mm (3.0) Top of Forks, 2 stage LFL mast with standard carriage, 1000mm forks with manual levers

## MAST DIMENSIONS – GDP/GLP2.0N

Maximum Fork Height (TOF) (mm)	Lowered Height (mm)	Extended Height without LBR (mm)	Extended Height with LBR (1220mm) (mm)	Free Lift Height with LBR (BOF) (mm)	Back Tilt (°)	Capacities (kg) @ 500mm Load Centre			
						Super Elastic Tyres		Pneumatic Radial Tyres	
						Without sideshift (kg)	With sideshift + Fork Positioner (kg)	Without sideshift (kg)	With sideshift + Fork Positioner (kg)
<b>2-Stage Limited Free-Lift (LFL) Mast</b>									
2960	2020	3570	4180	50	6	2000	2000	2000	2000
3260	2170	3870	4480	50	6	2000	2000	2000	2000
3560	2320	4170	4780	50	6	2000	2000	2000	2000
3900	2570	4510	5120	50	6	2000	2000	2000	2000
4200	2720	4810	5420	50	6	2000	2000	2000	2000
4500	2870	5110	5720	50	6	1980	1980	1980	1980
4800	3020	5410	6020	50	6	1920	1910	1920	1910
5000	3220	5610	6220	50	6	1880	1860	1880	1860
5500	3470	6110	6720	50	6	1770	1750	1650	1640
<b>2-Stage Full Free-Lift (FFL) Mast</b>									
2990	2020	3597	4210	1373	6	2000	2000	2000	2000
3340	2170	3947	4560	1523	6	2000	2000	2000	2000
3440	2220	4047	4660	1573	6	2000	2000	2000	2000
3540	2270	4147	4760	1623	6	2000	2000	2000	2000
3740	2370	4347	4960	1723	6	2000	2000	2000	2000
4060	2570	4667	5280	1923	6	2000	2000	2000	2000
4560	2820	5167	5780	2173	6	1960	1960	1960	1960
4960	3020	5567	6180	2373	6	1880	1870	1880	1870
5560	3370	6167	6780	2723	6	1750	1730	1740 <sup>(1)</sup>	1720 <sup>(1)</sup>
<b>3-Stage Full Free-Lift (FFL) Mast</b>									
4100	2020	4699	5320	1381	6	2000	1970	2000	1970
4400	2020	4999	5620	1381	6	2000	1970	2000	1970
4650	2070	5249	5870	1431	6	1950	1920	1860	1840
4950	2170	5549	6170	1531	6	1890	1860	1890 <sup>(1)</sup>	1850 <sup>(1)</sup>
5250	2320	5849	6470	1681	6	1830	1810	1790 <sup>(1)</sup>	1780 <sup>(1)</sup>
6150	2670	6749	7370	2031	6	1620 <sup>(1)</sup>	1560 <sup>(1)</sup>	1350 <sup>(1)</sup>	1330 <sup>(1)</sup>
6450	2820	7049	7670	2181	6	1540 <sup>(1)</sup>	1480 <sup>(1)</sup>	1220 <sup>(1)</sup>	1210 <sup>(1)</sup>
6900	3020	7497	7815	2540	6	1210	1190	840	810

(1) Wide tread specification

## MAST DIMENSIONS – GDP/GLP2.0N

Maximum Fork Height (TOF) (mm)	Lowered Height (mm)	Extended Height without LBR (mm)	Extended Height with LBR (1220mm) (mm)	Free Lift Height with LBR (BOF) (mm)	Back Tilt (°)	Capacities (kg) @ 600mm Load Centre			
						Super Elastic Tyres		Pneumatic Radial Tyres	
						Without sideshift (kg)	With sideshift + Fork Positioner (kg)	Without sideshift (kg)	With sideshift + Fork Positioner (kg)
<b>2-Stage Limited Free-Lift (LFL) Mast</b>									
2960	2020	3570	4180	50	6	1910	1850	1910	1850
3260	2170	3870	4480	50	6	1900	1840	1900	1840
3560	2320	4170	4780	50	6	1900	1840	1900	1840
3900	2570	4510	5120	50	6	1890	1830	1890	1830
4200	2720	4810	5420	50	6	1880	1820	1880	1820
4500	2870	5110	5720	50	6	1860	1800	1860	1800
4800	3020	5410	6020	50	6	1800	1740	1800	1740
5000	3220	5610	6220	50	6	1750	1690	1750	1690
5500	3470	6110	6720	50	6	1640	1590	1640	1580
<b>2-Stage Full Free-Lift (FFL) Mast</b>									
2990	2020	3597	4210	1373	6	1910	1850	1910	1850
3340	2170	3947	4560	1523	6	1900	1840	1900	1840
3440	2220	4047	4660	1573	6	1900	1840	1900	1840
3540	2270	4147	4760	1623	6	1900	1840	1900	1840
3740	2370	4347	4960	1723	6	1890	1830	1890	1830
4060	2570	4667	5280	1923	6	1890	1820	1890	1820
4560	2820	5167	5780	2173	6	1840	1780	1840	1780
4960	3020	5567	6180	2373	6	1760	1700	1760	1700
5560	3370	6167	6780	2723	6	1620	1570	1620 <sup>(1)</sup>	1560 <sup>(1)</sup>
<b>3-Stage Full Free-Lift (FFL) Mast</b>									
4100	2020	4699	5320	1381	6	1850	1790	1850	1790
4400	2020	4999	5620	1381	6	1850	1790	1850	1790
4650	2070	5249	5870	1431	6	1810	1750	1810	1750
4950	2170	5549	6170	1531	6	1750	1690	1750 <sup>(1)</sup>	1690 <sup>(1)</sup>
5250	2320	5849	6470	1681	6	1700	1640	1680 <sup>(1)</sup>	1620 <sup>(1)</sup>
6150	2670	6749	7370	2031	6	1480	1430	1370 <sup>(1)</sup>	1350 <sup>(1)</sup>
6450	2820	7049	7670	2181	6	1400	1360	1240 <sup>(1)</sup>	1220 <sup>(1)</sup>
6900	3020	7497	7815	2540	6	1270	1230	1070 <sup>(1)</sup>	1040 <sup>(1)</sup>

(1) Wide tread specification



## MAST DIMENSIONS – GDP/GLP2.5N

Maximum Fork Height (TOF) (mm)	Lowered Height (mm)	Extended Height without LBR (mm)	Extended Height with LBR (1220mm) (mm)	Free Lift Height with LBR (BOF) (mm)	Back Tilt (°)	Capacities (kg) @ 500mm Load Centre			
						Super Elastic Tyres		Pneumatic Radial Tyres	
						Without sideshift (kg)	With sideshift + Fork Positioner (kg)	Without sideshift (kg)	With sideshift + Fork Positioner (kg)
<b>2-Stage Limited Free-Lift (LFL) Mast</b>									
2960	2020	3570	4180	50	6	2500	2500	2500	2500
3260	2170	3870	4480	50	6	2500	2500	2500	2500
3560	2320	4170	4780	50	6	2500	2450	2500	2450
3900	2570	4510	5120	50	6	2500	2440	2500	2440
4200	2720	4810	5420	50	6	2500	2430	2500	2430
4500	2870	5110	5720	50	6	2470	2410	2470	2410
4800	3020	5410	6020	50	6	2410	2340	2410 <sup>(1)</sup>	2330 <sup>(1)</sup>
5000	3220	5610	6220	50	6	2360	2280	2360 <sup>(1)</sup>	2280 <sup>(1)</sup>
5500	3470	6110	6720	50	6	2240	2160	2210 <sup>(1)</sup>	2150 <sup>(1)</sup>
<b>2-Stage Full Free-Lift (FFL) Mast</b>									
2990	2020	3597	4210	1373	6	2500	2460	2500	2460
3340	2170	3947	4560	1523	6	2500	2460	2500	2460
3440	2220	4047	4660	1573	6	2500	2450	2500	2450
3540	2270	4147	4760	1623	6	2500	2450	2500	2450
3740	2370	4347	4960	1723	6	2500	2450	2500	2450
4060	2570	4667	5280	1923	6	2500	2440	2500	2440
4560	2820	5167	5780	2173	6	2460	2390	2450	2380
4960	3020	5567	6180	2373	6	2370	2290	2370 <sup>(1)</sup>	2290 <sup>(1)</sup>
5560	3370	6167	6780	2723	6	2220	2140	2210 <sup>(1)</sup>	2130 <sup>(1)</sup>
<b>3-Stage Full Free-Lift (FFL) Mast</b>									
4000	2020	4599	5220	1381	6	2500	2500	2500	2500
4100	2020	4699	5320	1381	6	2500	2430	2420	2410
4300	2020	4899	5520	1381	6	2500	2430	2290	2275
4650	2070	5249	5870	1431	6	2440	2380	1950	1950
4950	2170	5549	6170	1531	6	2380	2310	2120 <sup>(1)</sup>	2100 <sup>(1)</sup>
5100	2270	5699	6320	1631	6	2350	2260	2010 <sup>(1)</sup>	1990 <sup>(1)</sup>
5550	2420	6149	6770	1781	6	2230 <sup>(1)</sup>	2150 <sup>(1)</sup>	1700 <sup>(1)</sup>	1700 <sup>(1)</sup>
5700	2520	6299	6920	1881	6	2190 <sup>(1)</sup>	2110 <sup>(1)</sup>	1620 <sup>(1)</sup>	1600 <sup>(1)</sup>
6150	2670	6749	7370	2031	6	2060 <sup>(1)</sup>	1990 <sup>(1)</sup>	1380 <sup>(1)</sup>	1350 <sup>(1)</sup>
6450	2820	7049	7670	2181	6	1880 <sup>(1)</sup>	1870 <sup>(1)</sup>	1230 <sup>(1)</sup>	1200 <sup>(1)</sup>
6900	3020	7499	8120	2381	6	1610 <sup>(1)</sup>	1560 <sup>(1)</sup>	1020 <sup>(1)</sup>	990 <sup>(1)</sup>

(1) Wide tread specification

## MAST DIMENSIONS – GDP/GLP2.5N

Maximum Fork Height (TOF) (mm)	Lowered Height (mm)	Extended Height without LBR (mm)	Extended Height with LBR (1220mm) (mm)	Free Lift Height with LBR (BOF) (mm)	Back Tilt (°)	Capacities (kg) @ 600mm Load Centre			
						Super Elastic Tyres		Pneumatic Radial Tyres	
						Without sideshift (kg)	With sideshift + Fork Positioner (kg)	Without sideshift (kg)	With sideshift + Fork Positioner (kg)
<b>2-Stage Limited Free-Lift (LFL) Mast</b>									
2960	2020	3570	4180	50	6	2310	2240	2310	2240
3260	2170	3870	4480	50	6	2360	2290	2360	2290
3560	2320	4170	4780	50	6	2300	2230	2300	2230
3900	2570	4510	5120	50	6	2290	2220	2290	2220
4200	2720	4810	5420	50	6	2280	2210	2280	2210
4500	2870	5110	5720	50	6	2260	2190	2260	2190
4800	3020	5410	6020	50	6	2190	2120	2190~	2120~
5000	3220	5610	6220	50	6	2140	2070	2140~	2070~
5500	3470	6110	6720	50	6	2030	1960	2020~	1960~
<b>2-Stage Full Free-Lift (FFL) Mast</b>									
2990	2020	3597	4210	1373	6	2310	2240	2310	2240
3340	2170	3947	4560	1523	6	2300	2230	2300	2230
3440	2220	4047	4660	1573	6	2300	2230	2300	2230
3540	2270	4147	4760	1623	6	2300	2230	2300	2230
3740	2370	4347	4960	1723	6	2290	2220	2290	2220
4060	2570	4667	5280	1923	6	2290	2210	2290	2210
4560	2820	5167	5780	2173	6	2240	2170	2240	2170
4960	3020	5567	6180	2373	6	2150	2080	2150~	2080~
5560	3370	6167	6780	2723	6	2010	1940	2000~	1940~
<b>3-Stage Full Free-Lift (FFL) Mast</b>									
4000	2020	4599	5220	1381	6	2280	2210	2280	2210
4100	2020	4699	5320	1381	6	2280	2210	2280	2210
4300	2020	4899	5520	1381	6	2280	2210	2215	2175
4650	2070	5249	5870	1431	6	2230	2160	2230 <sup>(1)</sup>	2160 <sup>(1)</sup>
4950	2170	5549	6170	1531	6	2170	2100	2120 <sup>(1)</sup>	2090 <sup>(1)</sup>
5100	2270	5699	6320	1631	6	2130	2065	2030 <sup>(1)</sup>	2020 <sup>(1)</sup>
5550	2420	6149	6770	1781	6	2020 <sup>(1)</sup>	1950	1730 <sup>(1)</sup>	1720 <sup>(1)</sup>
5700	2520	6299	6920	1881	6	1980 <sup>(1)</sup>	1920	1650 <sup>(1)</sup>	1630
6150	2670	6749	7370	2031	6	1860 <sup>(1)</sup>	1800 <sup>(1)</sup>	1390 <sup>(1)</sup>	1370 <sup>(1)</sup>
6450	2820	7049	7670	2181	6	1780 <sup>(1)</sup>	1720 <sup>(1)</sup>	1250 <sup>(1)</sup>	1220 <sup>(1)</sup>
6900	3020	7499	8120	2381	6	1610 <sup>(1)</sup>	1560 <sup>(1)</sup>	1040 <sup>(1)</sup>	1010 <sup>(1)</sup>

(1) Wide tread specification

All values are nominal values and they are subject to tolerances.

## MAST DIMENSIONS – GDP/GLP2.5N6

Maximum Fork Height (TOF) (mm)	Lowered Height (mm)	Extended Height without LBR (mm)	Extended Height with LBR (1220mm) (mm)	Free Lift Height with LBR (BOF) (mm)	Back Tilt (°)	Capacities (kg) @ 500mm Load Centre			
						Super Elastic Tyres		Pneumatic Radial Tyres	
						Without sideshift (kg)	With sideshift + Fork Positioner (kg)	Without sideshift (kg)	With sideshift + Fork Positioner (kg)
<b>2-Stage Limited Free-Lift (LFL) Mast</b>									
2960	2042	3570	4180	50	6	2700	2700	2700	2700
3260	2192	3870	4480	50	6	2700	2700	2700	2700
3560	2342	4170	4780	50	6	2700	2700	2700	2700
3900	2592	4510	5120	50	6	2700	2690	2700	2690
4200	2742	4810	5420	50	6	2700	2680	2700	2680
4500	2892	5110	5720	50	6	2680	2660	2670	2660
4800	3042	5410	6020	50	6	2610	2590	2560	2560
5000	3242	5610	6220	50	6	2570	2540	2420	2420
5500	3492	6110	6720	50	6	2450	2410	2440 <sup>(1)</sup>	2430 <sup>(1)</sup>
<b>2-Stage Full Free-Lift (FFL) Mast</b>									
2990	2042	3597	4210	1395	6	2700	2700	2700	2700
3340	2192	3497	4560	1545	6	2700	2700	2700	2700
3440	2242	4047	4660	1595	6	2700	2700	2700	2700
3540	2292	4147	4760	1645	6	2700	2700	2700	2700
3740	2392	4347	4960	1745	6	2700	2700	2700	2700
4060	2592	4667	5280	1945	6	2700	2690	2700	2690
4560	2842	5167	5780	2195	6	2660	2640	2650	2640
4960	3042	5567	6180	2395	6	2570	2450	2570 <sup>(1)</sup>	2570 <sup>(1)</sup>
5560	3392	6167	6780	2745	6	2430	2640	2420 <sup>(1)</sup>	2420 <sup>(1)</sup>
<b>3-Stage Full Free-Lift (FFL) Mast</b>									
4000	2042	4599	5220	1403	6	2700	2680	2700	2700
4100	2042	4699	5320	1403	6	2700	2680	2700	2680
4300	2042	4899	5520	1403	6	2700	2680	2590	2590
4650	2092	5249	5870	1453	6	2640	2640	2640 <sup>(1)</sup>	2640 <sup>(1)</sup>
4950	2192	5549	6170	1553	6	2550	2560	2580 <sup>(1)</sup>	2580 <sup>(1)</sup>
5100	2292	5699	6320	1653	6	2580 <sup>(1)</sup>	2550 <sup>(1)</sup>	2540 <sup>(1)</sup>	2540 <sup>(1)</sup>
5550	2442	6149	6770	1803	6	2440 <sup>(1)</sup>	2440 <sup>(1)</sup>	2250 <sup>(1)</sup>	2250 <sup>(1)</sup>
5700	2542	6299	6920	1903	6	2400 <sup>(1)</sup>	2400 <sup>(1)</sup>	2150 <sup>(1)</sup>	2140 <sup>(1)</sup>
6150	2692	6749	7370	2053	6	2190 <sup>(1)</sup>	2140 <sup>(1)</sup>	1870 <sup>(1)</sup>	1850 <sup>(1)</sup>
6450	2842	7049	7670	2203	6	1940 <sup>(1)</sup>	1890 <sup>(1)</sup>	1690 <sup>(1)</sup>	1670 <sup>(1)</sup>
6900	3042	7499	8120	2403	6	1610 <sup>(1)</sup>	1560 <sup>(1)</sup>	1440 <sup>(1)</sup>	1420 <sup>(1)</sup>

(1) Wide tread specification

## MAST DIMENSIONS – GDP/GLP2.5N6

Maximum Fork Height (TOF) (mm)	Lowered Height (mm)	Extended Height without LBR (mm)	Extended Height with LBR (1220mm) (mm)	Free Lift Height with LBR (BOF) (mm)	Back Tilt (°)	Capacities (kg) @ 600mm Load Centre			
						Super Elastic Tyres		Pneumatic Radial Tyres	
						Without sideshift (kg)	With sideshift + Fork Positioner (kg)	Without sideshift (kg)	With sideshift + Fork Positioner (kg)
<b>2-Stage Limited Free-Lift (LFL) Mast</b>									
2960	2042	3570	4180	50	6	2530	2530	2530	2530
3260	2192	3870	4480	50	6	2530	2530	2530	2530
3560	2342	4170	4780	50	6	2530	2530	2530	2530
3900	2592	4510	5120	50	6	2530	2530	2530	2530
4200	2742	4810	5420	50	6	2530	2530	2530	2530
4500	2892	5110	5720	50	6	2530	2530	2530	2530
4800	3042	5410	6020	50	6	2530	2530	2530	2530
5000	3242	5610	6220	50	6	2530	2530	2430	2420
5500	3492	6110	6720	50	6	2450	2430	2440 <sup>(1)</sup>	2410 <sup>(1)</sup>
<b>2-Stage Full Free-Lift (FFL) Mast</b>									
2990	2042	3597	4210	1395	6	2530	2530	2530	2530
3340	2192	3497	4560	1545	6	2530	2530	2530	2530
3440	2242	4047	4660	1595	6	2530	2530	2530	2530
3540	2292	4147	4760	1645	6	2530	2530	2530	2530
3740	2392	4347	4960	1745	6	2530	2530	2530	2530
4060	2592	4667	5280	1945	6	2530	2530	2530	2530
4560	2842	5167	5780	2195	6	2530	2530	2530	2530
4960	3042	5567	6180	2395	6	2530	2530	2520	2520
5560	3392	6167	6780	2745	6	2430	2390	2420 <sup>(1)</sup>	2380 <sup>(1)</sup>
<b>3-Stage Full Free-Lift (FFL) Mast</b>									
4000	2042	4599	5220	1403	6	2530	2530	2530	2380 <sup>(1)</sup>
4100	2042	4699	5320	1403	6	2530	2530	2530	2530
4300	2042	4899	5520	1403	6	2530	2530	2530	2530
4650	2092	5249	5870	1453	6	2530	2530	2530 <sup>(1)</sup>	2530
4950	2192	5549	6170	1553	6	2530	2530	2530 <sup>(1)</sup>	2530 <sup>(1)</sup>
5100	2292	5699	6320	1653	6	2450	2450	2530 <sup>(1)</sup>	2530 <sup>(1)</sup>
5550	2442	6149	6770	1803	6	2440 <sup>(1)</sup>	2400 <sup>(1)</sup>	2280 <sup>(1)</sup>	2510 <sup>(1)</sup>
5700	2542	6299	6920	1903	6	2400 <sup>(1)</sup>	2360 <sup>(1)</sup>	2180 <sup>(1)</sup>	2270 <sup>(1)</sup>
6150	2692	6749	7370	2053	6	2190 <sup>(1)</sup>	2140 <sup>(1)</sup>	1900 <sup>(1)</sup>	2170 <sup>(1)</sup>
6450	2842	7049	7670	2203	6	1940 <sup>(1)</sup>	1890 <sup>(1)</sup>	1720 <sup>(1)</sup>	1880 <sup>(1)</sup>
6900	3042	7499	8120	2403	6	1610 <sup>(1)</sup>	1560 <sup>(1)</sup>	1470 <sup>(1)</sup>	1700 <sup>(1)</sup>

(1) Wide tread specification

## MAST DIMENSIONS – GDP/GLP3.0N

Maximum Fork Height (TOF) (mm)	Lowered Height (mm)	Extended Height without LBR (mm)	Extended Height with LBR (1220mm) (mm)	Free Lift Height with LBR (BOF) (mm)	Back Tilt (°)	Capacities (kg) @ 500mm Load Centre			
						Super Elastic Tyres		Pneumatic Radial Tyres	
						Without sideshift (kg)	With sideshift + Fork Positioner (kg)	Without sideshift (kg)	With sideshift + Fork Positioner (kg)
<b>2-Stage Limited Free-Lift (LFL) Mast</b>									
2980	2142	3662	4198	50	6	3000	2920	3000	2920
3280	2292	3962	4498	50	6	3000	2920	3000	2920
3380	2342	4062	4598	50	6	3000	2910	3000	2910
3580	2442	4262	4798	50	6	3000	2910	3000	2910
3880	2692	4562	5098	50	6	3000	2900	3000	2900
4180	2842	4862	5398	50	6	3000	2890	3000	2890
4480	2992	5162	5698	50	6	2930	2830	2920	2820
4780	3242	5462	5998	50	6	2870	2750	2670	2670
5480	3592	6162	6698	50	6	2690	2580	2690 <sup>(1)</sup>	2570 <sup>(1)</sup>
5880	3892	6562	7098	50	6	2570 <sup>(1)</sup>	2460 <sup>(1)</sup>	2570 <sup>(1)</sup>	2450 <sup>(1)</sup>
<b>2-Stage Full Free-Lift (FFL) Mast</b>									
3000	2092	3684	4224	1362	6	3000	2940	3000	2940
3200	2192	3884	4424	1462	6	3000	2940	3000	2940
3500	2342	4184	4724	1612	6	3000	2930	3000	2930
3700	2442	4384	4924	1712	6	3000	2930	3000	2930
4000	2642	4684	5224	1912	6	3000	2920	3000	2920
4500	2892	5184	5724	2162	6	2930	2840	2930	2840
5000	3192	5684	6224	2462	6	2820	2720	2820 <sup>(1)</sup>	2720 <sup>(1)</sup>
5400	3392	6084	6624	2662	6	2720	2620	2720 <sup>(1)</sup>	2610 <sup>(1)</sup>
<b>3-Stage Full Free-Lift (FFL) Mast</b>									
4020	2042	4690	5238	1320	6	3000	2900	3000	2900
4320	2092	4990	5538	1370	6	2970	2870	2960 <sup>(1)</sup>	2870 <sup>(1)</sup>
4620	2192	5290	5838	1470	6	2900	2800	2900 <sup>(1)</sup>	2800 <sup>(1)</sup>
4920	2342	5590	6138	1620	6	2740	2730	2830 <sup>(1)</sup>	2730 <sup>(1)</sup>
5520	2592	6190	6738	1870	6	2670 <sup>(1)</sup>	2580 <sup>(1)</sup>	2390 <sup>(1)</sup>	2380 <sup>(1)</sup>
6120	2842	6790	7338	2120	6	2390 <sup>(1)</sup>	2380 <sup>(1)</sup>	1950 <sup>(1)</sup>	1930 <sup>(1)</sup>
6570	3042	7240	7788	2320	6	2050 <sup>(1)</sup>	2050 <sup>(1)</sup>	1650 <sup>(1)</sup>	1630 <sup>(1)</sup>
7020	3192	7690	8238	2470	6	1750 <sup>(1)</sup>	1740 <sup>(1)</sup>	1380 <sup>(1)</sup>	1370 <sup>(1)</sup>

(1) Wide tread specification

## MAST DIMENSIONS – GDP/GLP3.0N

Maximum Fork Height (TOF) (mm)	Lowered Height (mm)	Extended Height without LBR (mm)	Extended Height with LBR (1220mm) (mm)	Free Lift Height with LBR (BOF) (mm)	Back Tilt (°)	Capacities (kg) @ 600mm Load Centre			
						Super Elastic Tyres		Pneumatic Radial Tyres	
						Without sideshift (kg)	With sideshift + Fork Positioner (kg)	Without sideshift (kg)	With sideshift + Fork Positioner (kg)
<b>2-Stage Limited Free-Lift (LFL) Mast</b>									
2980	2142	3662	4198	50	6	2770	2660	2770	2660
3280	2292	3962	4498	50	6	2770	2660	2770	2660
3380	2342	4062	4598	50	6	2770	2650	2770	2660
3580	2442	4262	4798	50	6	2760	2650	2760	2650
3880	2692	4562	5098	50	6	2750	2640	2750	2640
4180	2842	4862	5398	50	6	2740	2630	2740	2630
4480	2992	5162	5698	50	6	2680	2570	2680	2570
4780	3242	5462	5998	50	6	2610	2510	2610	2500
5480	3592	6162	6698	50	6	2450	2350	2440 <sup>(1)</sup>	2340 <sup>(1)</sup>
5880	3892	6562	7098	50	6	2340	2240	2330 <sup>(1)</sup>	2240 <sup>(1)</sup>
<b>2-Stage Full Free-Lift (FFL) Mast</b>									
3000	2092	3684	4224	1362	6	2770	2680	2770	2680
3200	2192	3884	4424	1462	6	2770	2670	2770	2670
3500	2342	4184	4724	1612	6	2760	2670	2760	2670
3700	2442	4384	4924	1712	6	2760	2660	2760	2660
4000	2642	4684	5224	1912	6	2750	2660	2750	2660
4500	2892	5184	5724	2162	6	2680	2590	2680	2590
5000	3192	5684	6224	2462	6	2570	2720	2570 <sup>(1)</sup>	2470
5400	3392	6084	6624	2662	6	2470	2390	2470 <sup>(1)</sup>	2380 <sup>(1)</sup>
<b>3-Stage Full Free-Lift (FFL) Mast</b>									
4020	2042	4690	5238	1320	6	2740	2640	2740	2640
4320	2092	4990	5538	1370	6	2710	2620	2650	2610
4620	2192	5290	5838	1470	6	2640	2550	2640 <sup>(1)</sup>	2550 <sup>(1)</sup>
4920	2342	5590	6138	1620	6	2580	2490	2570 <sup>(1)</sup>	2480 <sup>(1)</sup>
5520	2592	6190	6738	1870	6	2430 <sup>(1)</sup>	2350 <sup>(1)</sup>	2410 <sup>(1)</sup>	2340 <sup>(1)</sup>
6120	2842	6790	7338	2120	6	2270 <sup>(1)</sup>	2190 <sup>(1)</sup>	1980 <sup>(1)</sup>	1960 <sup>(1)</sup>
6570	3042	7240	7788	2320	6	2100 <sup>(1)</sup>	2070 <sup>(1)</sup>	1690 <sup>(1)</sup>	1660 <sup>(1)</sup>
7020	3192	7690	8238	2470	6	1800 <sup>(1)</sup>	1790 <sup>(1)</sup>	1420 <sup>(1)</sup>	1400 <sup>(1)</sup>

(1) Wide tread specification

All values are nominal values and they are subject to tolerances.

## MAST DIMENSIONS – GDP/GLP3.5N

Maximum Fork Height (TOF) (mm)	Lowered Height (mm)	Extended Height without LBR (mm)	Extended Height with LBR (1220mm) (mm)	Free Lift Height with LBR (BOF) (mm)	Back Tilt (°)	Capacities (kg) @ 500mm Load Centre			
						Super Elastic Tyres		Pneumatic Radial Tyres	
						Without sideshift (kg)	With sideshift + Fork Positioner (kg)	Without sideshift (kg)	With sideshift + Fork Positioner (kg)
<b>2-Stage Limited Free-Lift (LFL) Mast</b>									
2980	2142	3662	4198	50	6	3500	3460	3500	3460
3280	2292	3962	4498	50	6	3500	3460	3500	3460
3380	2342	4062	4598	50	6	3500	3450	3500	3450
3580	2442	4262	4798	50	6	3500	3450	3500	3450
3880	2692	4562	5098	50	6	3500	3440	3500	3440
4180	2842	4862	5398	50	6	3500	3430	3500	3430
4480	2992	5162	5698	50	6	3430	3300	3430 <sup>(1)</sup>	3300 <sup>(1)</sup>
4780	3242	5462	5998	50	6	3360	3220	3360 <sup>(1)</sup>	3220 <sup>(1)</sup>
5480	3592	6162	6698	50	6	3170 <sup>(1)</sup>	3040 <sup>(1)</sup>	3160 <sup>(1)</sup>	3030 <sup>(1)</sup>
5880	3892	6562	7098	50	6	3040 <sup>(1)</sup>	2920 <sup>(1)</sup>	2760 <sup>(1)</sup>	2770 <sup>(1)</sup>
<b>2-Stage Full Free-Lift (FFL) Mast</b>									
3000	2092	3684	4224	1362	6	3500	3420	3500	3420
3200	2192	3884	4424	1462	6	3500	3420	3500	3420
3500	2342	4184	4724	1612	6	3500	3410	3500	3410
3700	2442	4384	4924	1712	6	3500	3410	3500	3410
4000	2642	4684	5224	1912	6	3500	3400	3500	3400
4500	2892	5184	5724	2162	6	3430	3320	3430 <sup>(1)</sup>	3320 <sup>(1)</sup>
5000	3192	5684	6224	2462	6	3310	3190	3310 <sup>(1)</sup>	3190 <sup>(1)</sup>
5400	3392	6084	6624	2662	6	3200 <sup>(1)</sup>	3080 <sup>(1)</sup>	3190 <sup>(1)</sup>	3080 <sup>(1)</sup>
<b>3-Stage Full Free-Lift (FFL) Mast</b>									
4020	2042	4690	5238	1320	6	3500	3390	3500 <sup>(1)</sup>	3390 <sup>(1)</sup>
4320	2092	4990	5538	1370	6	3460	3360	3460 <sup>(1)</sup>	3360 <sup>(1)</sup>
4620	2192	5290	5838	1470	6	3400 <sup>(1)</sup>	3290 <sup>(1)</sup>	3390 <sup>(1)</sup>	3290 <sup>(1)</sup>
4920	2342	5590	6138	1620	6	3330 <sup>(1)</sup>	3210 <sup>(1)</sup>	3050 <sup>(1)</sup>	3060 <sup>(1)</sup>
5520	2592	6190	6738	1870	6	3070 <sup>(1)</sup>	3050 <sup>(1)</sup>	2460 <sup>(1)</sup>	2450 <sup>(1)</sup>
6120	2842	6790	7338	2120	6	2480 <sup>(1)</sup>	2480 <sup>(1)</sup>	1950 <sup>(1)</sup>	1930 <sup>(1)</sup>
6570	3042	7240	7788	2320	6	2830 <sup>(2)</sup>	2730 <sup>(2)</sup>	1590 <sup>(1)</sup>	1580 <sup>(1)</sup>
7020	3192	7690	8238	2470	6	2640 <sup>(2)</sup>	2570 <sup>(2)</sup>	1310 <sup>(1)</sup>	1280 <sup>(1)</sup>

- (1) Wide tread specification  
(2) Dual tread specification

## MAST DIMENSIONS – GDP/GLP3.0N

Maximum Fork Height (TOF) (mm)	Lowered Height (mm)	Extended Height without LBR (mm)	Extended Height with LBR (1220mm) (mm)	Free Lift Height with LBR (BOF) (mm)	Back Tilt (°)	Capacities (kg) @ 600mm Load Centre			
						Super Elastic Tyres		Pneumatic Radial Tyres	
						Without sideshift (kg)	With sideshift + Fork Positioner (kg)	Without sideshift (kg)	With sideshift + Fork Positioner (kg)
<b>2-Stage Limited Free-Lift (LFL) Mast</b>									
2980	2142	3662	4198	50	6	3280	3150	3280	3150
3280	2292	3962	4498	50	6	3270	3150	3270	3150
3380	2342	4062	4598	50	6	3270	3150	3270	3150
3580	2442	4262	4798	50	6	3270	3140	3270	3140
3880	2692	4562	5098	50	6	3250	3130	3250	3130
4180	2842	4862	5398	50	6	3250	3070	3190	3070
4480	2992	5162	5698	50	6	3130	3010	3130 <sup>(1)</sup>	3010
4780	3242	5462	5998	50	6	3050	2940	3050 <sup>(1)</sup>	2930 <sup>(1)</sup>
5480	3592	6162	6698	50	6	2880	2770	2870 <sup>(1)</sup>	2760 <sup>(1)</sup>
5880	3892	6562	7098	50	6	2760 <sup>(1)</sup>	2660 <sup>(1)</sup>	2760 <sup>(1)</sup>	2650 <sup>(1)</sup>
<b>2-Stage Full Free-Lift (FFL) Mast</b>									
3000	2092	3684	4224	1362	6	3220	3110	3220	3110
3200	2192	3884	4424	1462	6	3220	3110	3220	3110
3500	2342	4184	4724	1612	6	3210	3110	3210	3110
3700	2442	4384	4924	1712	6	3210	3100	3210	3100
4000	2642	4684	5224	1912	6	3200	3090	3200	3090
4500	2892	5184	5724	2162	6	3130	3020	3090	3020
5000	3192	5684	6224	2462	6	3010	2910	3000 <sup>(1)</sup>	2900 <sup>(1)</sup>
5400	3392	6084	6624	2662	6	2910	2810	2900 <sup>(1)</sup>	2800 <sup>(1)</sup>
<b>3-Stage Full Free-Lift (FFL) Mast</b>									
4020	2042	4690	5238	1320	6	3190	3090	3190 <sup>(1)</sup>	3090 <sup>(1)</sup>
4320	2092	4990	5538	1370	6	3160	3060	3160 <sup>(1)</sup>	3060 <sup>(1)</sup>
4620	2192	5290	5838	1470	6	3100	3000	3090 <sup>(1)</sup>	2990 <sup>(1)</sup>
4920	2342	5590	6138	1620	6	3020 <sup>(1)</sup>	2880	3020 <sup>(1)</sup>	2920 <sup>(1)</sup>
5520	2592	6190	6738	1870	6	2870 <sup>(1)</sup>	2770 <sup>(1)</sup>	2480 <sup>(1)</sup>	2470 <sup>(1)</sup>
6120	2842	6790	7338	2120	6	2530 <sup>(1)</sup>	2530 <sup>(1)</sup>	1980 <sup>(1)</sup>	1970 <sup>(1)</sup>
6570	3042	7240	7788	2320	6	2570 <sup>(2)</sup>	2480 <sup>(2)</sup>	1640 <sup>(1)</sup>	1620 <sup>(1)</sup>
7020	3192	7690	8238	2470	6	2420 <sup>(2)</sup>	2340 <sup>(2)</sup>	1340 <sup>(1)</sup>	1310 <sup>(1)</sup>

- (1) Wide tread specification  
(2) Dual tread specification

## FEATURES LIST – SERIES N

PERFORMANCE	STD	OPT	HANDLING	STD	OPT
Yanmar 2.2L LPG Tier III		●	Hook type standard carriage - 1070mm	●	
Yanmar 2.2L Dual Fuel Tier III		●	Hook tType standard carriage - 1220mm		●
Yanmar 3.0L Diesel Tier III		●	Hook type Integral sideshift carriage - 1070mm		●
Yanmar 3.3L Diesel Tier III		●	Hook type Integral sideshift carriage - 1220mm		●
Yanmar 2.1L DPF (37 kW) Diesel		●	Hook type Integral sideshifting Fork Positioner - 1070mm		●
Yanmar 2.1L DPF with CAC (44 kW) Diesel		●	Hook type Integral sideshifting Fork Positioner - 1220mm		●
Yanmar 2.2L LPG Stage V		●	Type standard taper forks 1000mm	●	
Powershift Transmission	●		Type standard taper forks 1100mm		●
Techtronix Transmission		●	Hook type standard taper forks 1200mm		●
Drum brakes	●		Without Load Backrest		●
Oil immersed brakes		●	1220mm high Load Backrest	●	
Standard (-20° C to 40° C) environmental construction	●		915mm high Load Backrest		●
High Air Intake	●		915mm high Load Backrest Drop Centre		●
Heavy duty air intake and pre-cleaner options		●	1524mm high Load Backrest		●
Internal Air Intake		●	Tilt cylinder boots		●
Fixed LPG bracket with fabric strap		●	Hydraulic Accumulator		●
Swing Out and Drop Down LPG bracket with fabric strap		●	Manual Lever hydraulic control	●	
LPG tank bracket interlock		●	Mini Lever hydraulic control		●
Integrated Fuel Level Sensor	●		Joystick hydraulic control		●
On-demand cooling system		●	High temperature hydraulic fluid		●
Low Exhaust		●	Clamping function		●
Overhead exhaust		●	Return to set tilt function		●
System monitoring package		●	2 Function (0 Auxiliary) hydraulic valve	●	
Premium monitoring package		●	3 Function (1 Auxiliary) hydraulic valve		●
Powertrain protection with engine shutdown		●	4 Function (2 Auxiliary) hydraulic valve		●
Radiator screen		●	Fork Laser Positioning System		●
Exhaust wraps		●	Height selector		●
Empty seat engine shutdown		●	Load weight display		●
Belly screen		●	Attachment extension tubes and quick disconnects		●
High capacity starter battery		●			
Tie downs		●			
			<b>VISIBILITY</b>	<b>STD</b>	<b>OPT</b>
<b>DRIVE</b>	<b>STD</b>	<b>OPT</b>	Top wiper		●
Single pedal inch brake	●		Spot light activation continuous / directional		●
Dual brake pedal		●	Dual side view mirrors		●
Tyres - Super Elastic	●		Panoramic mirror		●
Tyres - Super Elastic - Premium		●	LED work lights		●
Tyres - Super Elastic - Premium - Non Marking		●	High performance LED work lights		●
Tyres - Pneumatic Radial - Premium		●	Rear reflector	●	
Tyres - Pneumatic - Premium		●	LED Rear light package Brake/Tail/Backup		●
Wide tread tyres		●	LED Rear light package Brake/Tail/Backup/Turn		●
Dual tread tyres		●	LED Rear light package Brake/Tail/Backup/Turn/Hazards		●
Steer column with Tilt and Telescope		●	Switch activated Strobe Light		●
Steering column mounted Directional Control	●		Audible reverse alarm		●
Steering Wheel with Spinner Knob	●		Forward and reverse alarm		●
Steer Column with infinitely adjustable tilt	●		LED Mast mounted lights		●
On demand Power Steering	●		Blue LED pedestrian awareness spotlights		●
On demand Power Steering with Synchronous Steering		●	Red LED pedestrian awareness perimeter lines		●
			Rear view Camera System integrated in 178mm Colour Display		●
<b>LIFT</b>	<b>STD</b>	<b>OPT</b>			
2 Stage Limited Free Lift Mast – Class II/III	●				
2 Stage Full Free Lift Mast – Class II/III		●			
3 Stage Full Free Lift Mast – Class II/III		●			
2 Stage Limited Free Lift Mast - Class III - 3.0t	●				
2 Stage Full Free Lift Mast - Class III - 3.0t		●			
3 Stage Full Free Lift Mast - Class III - 3.0t		●			
6° Forward / 6° Back Mast Tilt	●				
10° Forward / 6° Back mast tilt		●			
Standard displacement hydraulic pump	●				
On Demand hydraulic pump (VDP)		●			

All values are nominal values and they are subject to tolerances.

## FEATURES LIST – SERIES N

ERGONOMICS	STD	OPT	OPERATION	STD	OPT
Monitor mount		●	Traction speed limiters		●
2" Display only for for Non Regulated	●		Seat belt Hi-Vis interlocking		●
Rectangular guard	●		Key Switch Start	●	
Operator fan		●	Keyless with Operator password start		●
Beverage holder		●	Engine driven cooling	●	
RF handheld scanner holder		●	Travel speed alarm		●
Mobile phone holder		●	Battery disconnect		●
Starter battery dongle		●	Front Mud Guards		●
Engine block heater		●	Drive axle string cutter		●
Stretch film roll holder		●	Standard seat belt	●	
Rectangular guard for Non regulated	●		HI VIS Red seat bBelt		●
Polycarbonate rain top Non Regulated		●	Telemetry prepared	●	
Figure 8 Tube Over Head Guard	●		Dynamic Stability System		●
Grid Style Overhead Guard	●		Speed Reduction in corners		●
Clear View Overhead Guard		●	Seat Side Direction Control		●
Cabin Options (Partial, PVC, Steel Doors)		●	Foot Direction Control		●
High Specification Cabin		●	Yale Vision Wireless Monitoring		●
Rear Drive Handle with Horn Button		●	Yale Vision Wireless Access		●
Console Tray	●		Yale Vision Wireless Verification		●
127mm / 5" Colour Touchscreen Display	●		<b>APPEARANCE</b>	<b>STD</b>	<b>OPT</b>
178mm / 7" Colour Touchscreen Display		●	Yale Gold paint base truck	●	
Full Suspension vinyl seat		●	Special paint base truck		●
Full Suspension cloth seat		●	<b>SUPPLEMENTAL</b>	<b>STD</b>	<b>OPT</b>
Full Suspension vinyl seat - Value	●		24 Months / 4,000 Hours Warranty	●	
Air Ride full suspension vinyl seat		●	36 Months / 6,000 Hours Warranty		●
Air Ride full suspension cloth seat		●	Literature Pack	●	
Full suspension seat - Low profile		●			
Sun shades (top and / or front)		●			
Air Conditioning		●			
Accessory mounting post and options		●			
12v Aux supply		●			
12v Supply with twin USB charging sockets		●			

All values are nominal values and they are subject to tolerances.







# About Yale®

Yale Materials Handling Corporation is one of the oldest manufacturers of lift trucks in the world. We've been in the business of lifting since 1875 and we apply that experience to help customers solve materials handling challenges. Our full line of lift trucks range in capacity from 1 to 16 tonne and are powered by internal combustion engines or electric options. Yale also offers robotic solutions, telemetry, fleet management, parts, financing and training. From traditional lift truck equipment to emerging technologies, our goal, every day, is to work with our nationwide dealer network to continually improve and provide the solutions you need, when and how you need them.

## MATERIALS HANDLING FOR:

- 3PL
- Auto Parts
- Beverage
- Cold & Frozen Foods
- Food Distribution
- Food Processing
- Furniture & Furnishings
- Health & Pharma
- Home Centres
- Retail
- E-Commerce

## Yale Lift Truck Technologies


Centennial House  
Frimley Business Park  
Frimley  
Surrey  
GU16 7SG  
United Kingdom

[www.yale.com](http://www.yale.com)



**Safety:** All Yale products sold into EU countries, UK, and Turkey conform to the EU requirements of Machinery Directive 2006/42/EC and contain **CE** marking. Yale trucks sold into other countries may be ordered for production in conformance with Machinery Directive requirements, and when so ordered will contain **CE** marking.

HYSTER-YALE UK LIMITED trading as Yale Lift Truck Technologies. Registered Address: Centennial House, Building 4.5, Frimley Business Park, Frimley, Surrey, GU16 7SG, United Kingdom. Registered in England and Wales. Company Registration Number: 02636775.

©2023 Hyster-Yale Group, Inc., all rights reserved. YALE and YALE  are trademarks of Hyster-Yale Group, Inc. Trucks may be shown with optional equipment and/or features not available in all regions. Truck performance may be affected by the condition of the vehicle, how it is equipped and the application. Specifications are subject to change without notice.

**Notice:** Care must be exercised when handling elevated loads. Operators must be trained and must read, understand and follow the instructions contained in the Operating Manual. Consult your Yale® Dealer if any of the information shown is critical to your application.

Publication part no. 220991924 Rev.01 (0523DMS) EN