



GLP/GDP 1.6-2.0N

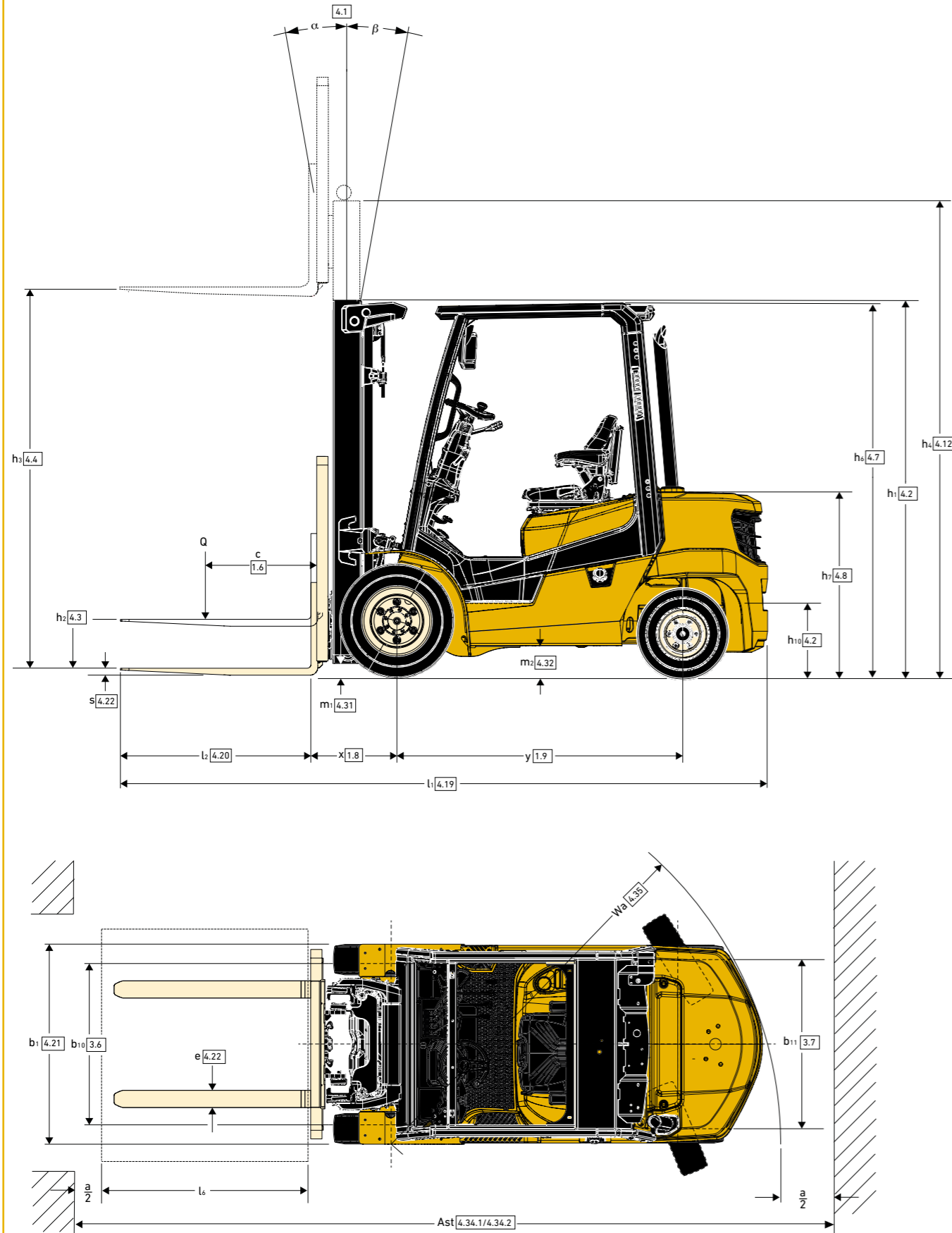
SPEC SHEET

1,600 - 2,000 kg

Series N

Diesel and LPG
Forklift Trucks

TRUCK DIMENSIONS – SERIES N



VDI 2198 – GENERAL SPECIFICATIONS – SERIES N

		Yale			
		GLP1.6N	GLP1.8N	GLP2.0NS	
GENERAL	1-1	Manufacturer			
	1-2	Model designation			
	1-2-1	Engine			
	1-2-2	CE compliance / Emission standards			
	1-2-3	Transmission			
	1-2-4	Brake Type			
	1-3	Drive			
	1-4	Operator type			
	1-5	Rated capacity / rated load	1.6	1.8	2.0
1-6	Load centre distance	500			
1-8	Load distance, centre of drive axle to fork	409			
1-9	Wheelbase	1480			
WEIGHT	2-1	Service weight			
	2-2	Axle loading, laden front / rear			
	2-3	Axle loading, unladen front / rear			
TYRES	3-1	Tyres			
	3-2	Tyre size, front			
	3-3	Tyre size, rear			
	3-5	Number of wheels, front / rear (X = driven)			
	3-6	Tread, front			
	3-7	Tread, rear			
	DIMENSIONS	4-1	Tilt of mast / fork carriage forward / backward		
4-2		Height, mast lowered			
4-3		Free lift ⁽¹⁾			
4-4		Lift ⁽¹⁾			
4-5		Height, mast extended ⁽²⁾			
4-7		Height of overhead guard ⁽³⁾			
4-8		Seat height relating to SIP / stand height ⁽⁴⁾			
4-12		Coupling height			
4-19		Overall length	3275	3305	3349
4-20		Length to face of forks	2275	2305	2349
4-21		Overall width (single / wide / dual)	1070 / 1251		
4-22		Fork dimensions DIN ISO 2331	40 x 100 x 1000		
4-23		Fork carriage ISO 2328, class / type A, B	II A		
4-24		Fork carriage width ⁽⁵⁾	980		
4-31		Ground clearance, laden, below mast	95		
4-32		Ground clearance, centre of wheelbase	126		
4-34-1		Aisle width for pallets 1000 x 1200 crossways	3662	3676	3694
4-34-2	Aisle width for pallets 800 x 1200 lengthways	3862	3876	3894	
4-35	Turning radius	2053	2066	2085	
4-36	Internal turning radius	531	540	550	
4-41	90° intersecting aisle (with pallet W = 1200mm, L = 1000mm)	1805	1887	1896	
4-42	Step height (from ground to running board)	438			
4-43	Step height (between intermediate steps between running board and floor)	242			
PERFORMANCE	5-1	Travel speed, laden / unladen			
	5-1-1	Travel speed, laden / unladen, backwards			
	5-2	Lift speed, laden / unladen (CDP)	0.60 / 0.61	0.59 / 0.61	
	5-3	Lowering speed, laden / unladen			
	5-5	Drawbar pull, laden ⁽⁶⁾	12874	12751	
	5-7	Gradeability, laden / unladen ⁽⁷⁾	21 / 28	19 / 28	17 / 28
	5-9	Acceleration time, laden / unladen (to 15m)	2.6 / 2.3	2.7 / 2.3	2.8 / 2.4
	5-10	Service brake	Hydraulic		
	ENGINE	7-1	Engine manufacturer / type		
		7-2	Engine power according to ISO 1585		
7-3		Rated speed			
7-3-1		Torque at 1 / min			
7-4		Number of cylinders / displacement			
7-5		Fuel consumption according to VDI 2198 (CDP/VDP)			
7-5-1		Fuel consumption according to VDI EN16796 (CDP/VDP)			
7-6	Turnover output (Power / ECO)				
OTHER	8-1	Type of drive unit			
	10-1	Operating pressure for attachments			
	10-2	Oil volume for attachments ⁽⁸⁾			
	10-3	Hydraulic oil tank, capacity			
	10-4	Fuel tank, capacity			
	10-7	Sound pressure level at the driver's seat ⁽⁹⁾			
	10-7-1	Guaranteed sound power 2001 / 14 / EC			
	10-8	Towing coupling type			

(1) Top of forks

(2) Without load backrest

(3) h₆ subject to +/- 5 mm tolerance

(4) Full suspension seat to manufacturers SIP

(5) add 32mm with load backrest

(6) at 1.6km/h

(7) at 4.8km/h

(8) variable.

(9) LPAZ, measured according to the test cycles and based on the weighting values contained in EN12053.

Spec sheet truck based on: 3290mm (2.5) / 3105mm (3.0) Top of Forks, 2 stage LFL mast with standard carriage, 1000mm forks with manual levers

VDI 2198 – GENERAL SPECIFICATIONS – SERIES N

		Yale			
		GDP1.6N	GDP1.8N	GDP2.0NS	
GENERAL	1-1	Manufacturer			
	1-2	Model designation			
	1-2-1	Engine			
	1-2-2	CE compliance / Emission standards			
	1-2-3	Transmission			
	1-2-4	Brake Type			
	1-3	Drive			
	1-4	Operator type			
	1-5	Rated capacity / rated load			
WEIGHT	1-6	Load centre distance			
	1-8	Load distance, centre of drive axle to fork			
	1-9	Wheelbase			
	2-1	Service weight			
	2-2	Axle loading, laden front / rear			
	2-3	Axle loading, unladen front / rear			
	TYRES	3-1	Tyres		
		3-2	Tyre size, front		
		3-3	Tyre size, rear		
3-5		Number of wheels, front / rear (X = driven)			
3-6		Tread, front			
3-7		Tread, rear			
DIMENSIONS		4-1	Tilt of mast / fork carriage forward / backward		
	4-2	Height, mast lowered			
	4-3	Free lift ⁽¹⁾			
	4-4	Lift ⁽¹⁾			
	4-5	Height, mast extended ⁽²⁾			
	4-7	Height of overhead guard ⁽³⁾			
	4-8	Seat height relating to SIP / stand height ⁽⁴⁾			
	4-12	Coupling height			
	4-19	Overall length			
	4-20	Length to face of forks			
	4-21	Overall width (single / wide / dual)			
	4-22	Fork dimensions DIN ISO 2331			
	4-23	Fork carriage ISO 2328, class / type A, B			
	4-24	Fork carriage width ⁽⁵⁾			
	4-31	Ground clearance, laden, below mast			
	4-32	Ground clearance, centre of wheelbase			
	4-34-1	Aisle width for pallets 1000 x 1200 crossways			
	4-34-2	Aisle width for pallets 800 x 1200 lengthways			
	4-35	Turning radius			
	4-36	Internal turning radius			
	4-41	90° intersecting aisle (with pallet W = 1200mm, L = 1000mm)			
	4-42	Step height (from ground to running board)			
	4-43	Step height (between intermediate steps between running board and floor)			
	PERFORMANCE	5-1	Travel speed, laden / unladen		
5-1-1		Travel speed, laden / unladen, backwards			
5-2		Lift speed, laden / unladen (CDP)			
5-3		Lowering speed, laden / unladen			
5-5		Drawbar pull, laden ⁽⁶⁾			
5-7		Gradeability, laden / unladen ⁽⁷⁾			
ENGINE	5-9	Acceleration time, laden / unladen (to 15m)			
	5-10	Service brake			
	7-1	Engine manufacturer / type			
	7-2	Engine power according to ISO 1585			
	7-3	Rated speed			
	7-3-1	Torque at 1 / min			
	7-4	Number of cylinders / displacement			
OTHER	7-5	Fuel consumption according to VDI 2198 (CDP/VDP)			
	7-5-1	Fuel consumption according to VDI EN16796 (CDP/VDP)			
	7-6	Turnover output (Power / ECO)			
	8-1	Type of drive unit			
	10-1	Operating pressure for attachments			
	10-2	Oil volume for attachments ⁽⁸⁾			
	10-3	Hydraulic oil tank, capacity			
	10-4	Fuel tank, capacity			
10-7	Sound pressure level at the driver's seat ⁽⁹⁾				
10-7-1	Guaranteed sound power 2001 / 14 / EC				
10-8	Towing coupling type				

- (1) Top of forks
 (2) Without load backrest
 (3) h6 subject to +/- 5 mm tolerance
 (4) Full suspension seat to manufacturers SIP
 (5) add 32mm with load backrest
 (6) at 1.6km/h
 (7) at 4.8km/h
 (8) variable.
 (9) LPAZ, measured according to the test cycles and based on the weighting values contained in EN12053.

Spec sheet truck based on: 3290mm (2.5) / 3105mm (3.0) Top of Forks, 2 stage LFL mast with standard carriage, 1000mm forks with manual levers

MAST DIMENSIONS – GLP/GDP1.6N

Maximum Fork Height (TOF) (mm)	Back Tilt (°)	Lowered Height (mm)	Extended Height without LBR (mm)	Extended Height with LBR (1220mm) (mm)	Free Lift Height without LBR (BOF) (mm)	Capacities (kg) @ 500mm Load Centre			
						Super Elastic Tyres		Pneumatic Radial Tyres	
						Without sideshift (kg)	With sideshift + Fork Positioner (kg)	Without sideshift (kg)	With sideshift + Fork Positioner (kg)
2-Stage Limited Free-Lift (LFL) Mast Class II									
2960	6	2170	3557	3875	50	1600	1600	1600	1600
3260	6	2320	3857	4175	50	1600	1600	1600	1600
3660	6	2420	4257	4575	50	1600	1600	1600	1600
3900	6	2570	4497	4815	50	1600	1600	1600	1600
4200	6	2720	4797	5115	50	1600	1590	1600	1570
4500	6	2870	5097	5415	50	1600	1590	1600	1570
4700	6	3020	5297	5615	50	1530	1530	1530	1500
5000	6	3220	5597	5915	50	1400	1350	1400	1350
5500	6	3470	6097	6415	50	1110	1050	1110	920
2-Stage Full Free-Lift (FFL) Mast Class II									
2990	6	2020	3587	3905	770	1600	1600	1600	1600
3190	6	2120	3787	4105	820	1600	1600	1600	1600
3290	6	2170	3887	4205	845	1600	1600	1600	1600
3490	6	2220	4087	4405	870	1600	1600	1600	1600
3590	6	2270	4187	4505	895	1600	1600	1600	1600
4010	6	2320	4607	4925	920	1600	1600	1600	1600
4510	6	2370	5107	5425	945	1550	1550	1550	1540
4910	6	2420	5507	5825	970	1470	1470	1470	1470
5510	6	2570	6107	6425	1045	1350	1350	1340	900
3-Stage Full Free-Lift (FFL) Mast									
4050	6	2020	4647	4965	770	1600	1600	1600	1600
4450	6	2020	5047	5365	770	1570	1570	1570	1410
4600	6	2020	5197	5515	770	1540	1540	1540	1230
4750	6	2020	5347	5665	770	1510	1510	1510	1090
4900	6	2070	5497	5815	795	1480	1480	1480	990
5200	6	2170	5797	6115	845	1420	1420	1260	810
5350	6	2270	5947	6265	895	1390	1210	1120	730
5500	6	2320	6097	6415	920	1360	1060	1010	670
6100	6	2520	6697	7015	1020	1130	690	670	440
6550	6	2670	7147	7465	1095	790	510	490	310
7000	6	2820	7597	7915	1170	570	360	340	200

MAST DIMENSIONS – GLP/GDP1.6N

Maximum Fork Height (TOF) (mm)	Back Tilt (°)	Lowered Height (mm)	Extended Height without LBR (mm)	Extended Height with LBR (1220mm) (mm)	Free Lift Height without LBR (BOF) (mm)	Capacities (kg) @ 600mm Load Centre			
						Super Elastic Tyres		Pneumatic Radial Tyres	
						Without sideshift (kg)	With sideshift + Fork Positioner (kg)	Without sideshift (kg)	With sideshift + Fork Positioner (kg)
2-Stage Limited Free-Lift (LFL) Mast Class II									
2960	6	2170	3557	3875	50	1550	1470	1550	1470
3260	6	2320	3857	4175	50	1550	1470	1550	1470
3660	6	2420	4257	4575	50	1540	1470	1540	1470
3900	6	2570	4497	4815	50	1540	1460	1540	1460
4200	6	2720	4797	5115	50	1530	1460	1510	1450
4500	6	2870	5097	5415	50	1490	1420	1470	1400
4700	6	3020	5297	5615	50	1460	1390	1450	1390
5000	6	3220	5597	5915	50	1390	1320	1390	1320
5500	6	3470	6097	6415	50	1110	1050	1110	950
2-Stage Full Free-Lift (FFL) Mast Class II									
2990	6	2020	3587	3905	770	1540	1470	1540	1470
3190	6	2120	3787	4105	820	1540	1470	1540	1470
3290	6	2170	3887	4205	845	1540	1470	1540	1470
3490	6	2220	4087	4405	870	1540	1470	1540	1470
3590	6	2270	4187	4505	895	1540	1470	1540	1470
4010	6	2320	4607	4925	920	1530	1460	1530	1460
4510	6	2370	5107	5425	945	1480	1410	1480	1410
4910	6	2420	5507	5825	970	1400	1340	1400	1330
5510	6	2570	6107	6425	1045	1280	1220	1270	930
3-Stage Full Free-Lift (FFL) Mast									
4050	6	2020	4647	4965	770	1520	1450	1520	1450
4450	6	2020	5047	5365	770	1500	1430	1500	1410
4600	6	2020	5197	5515	770	1470	1400	1470	1240
4750	6	2020	5347	5665	770	1440	1380	1440	1110
4900	6	2070	5497	5815	795	1420	1350	1420	1000
5200	6	2170	5797	6115	845	1350	1290	1270	820
5350	6	2270	5947	6265	895	1320	1260	1130	750
5500	6	2320	6097	6415	920	1290	1100	1020	680
6100	6	2520	6697	7015	1020	1150	710	680	450
6550	6	2670	7147	7465	1095	820	520	500	320
7000	6	2820	7597	7915	1170	590	370	350	210

All values are nominal values and they are subject to tolerances.

MAST DIMENSIONS – GLP/GDP1.8N

Maximum Fork Height (TOF) (mm)	Back Tilt (°)	Lowered Height (mm)	Extended Height without LBR (mm)	Extended Height with LBR (1220mm) (mm)	Free Lift Height without LBR (BOF) (mm)	Capacities (kg) @ 500mm Load Centre			
						Super Elastic Tyres		Pneumatic Radial Tyres	
						Without sideshift (kg)	With sideshift + Fork Positioner (kg)	Without sideshift (kg)	With sideshift + Fork Positioner (kg)
2-Stage Limited Free-Lift (LFL) Mast Class II									
2960	6	2170	3557	3875	50	1800	1800	1800	1800
3260	6	2320	3857	4175	50	1800	1800	1800	1800
3660	6	2420	4257	4575	50	1800	1800	1800	1800
3900	6	2570	4497	4815	50	1800	1800	1800	1770
4200	6	2720	4797	5115	50	1760	1740	1760	1710
4500	6	2870	5097	5415	50	1710	1710	1710	1680
4700	6	3020	5297	5615	50	1650	1600	1650	1600
5000	6	3220	5597	5915	50	1400	1350	1400	1330
5500	6	3470	6097	6415	50	1110	1050	1110	820
2-Stage Full Free-Lift (FFL) Mast Class II									
2990	6	2020	3587	3905	770	1800	1800	1800	1800
3190	6	2120	3787	4105	820	1800	1800	1800	1800
3290	6	2170	3887	4205	845	1800	1800	1800	1800
3490	6	2220	4087	4405	870	1800	1800	1800	1800
3590	6	2270	4187	4505	895	1800	1800	1800	1800
4010	6	2320	4607	4925	920	1800	1800	1800	1790
4510	6	2370	5107	5425	945	1710	1710	1710	1710
4910	6	2420	5507	5825	970	1630	1630	1620	1490
5510	6	2570	6107	6425	1045	1490	1490	1490	830
3-Stage Full Free-Lift (FFL) Mast									
4050	6	2020	4647	4965	770	1800	1800	1800	1800
4450	6	2020	5047	5365	770	1740	1740	1740	1300
4600	6	2020	5197	5515	770	1710	1710	1710	1160
4750	6	2020	5347	5665	770	1680	1680	1680	1040
4900	6	2070	5497	5815	795	1650	1650	1510	950
5200	6	2170	5797	6115	845	1580	1280	1180	770
5350	6	2270	5947	6265	895	1550	1120	1070	700
5500	6	2320	6097	6415	920	1510	990	960	630
6100	6	2520	6697	7015	1020	1060	650	640	410
6550	6	2670	7147	7465	1095	750	470	460	290
7000	6	2820	7597	7915	1170	540	340	320	190

MAST DIMENSIONS – GLP/GDP2.0NS

Maximum Fork Height (TOF) (mm)	Back Tilt (°)	Lowered Height (mm)	Extended Height without LBR (mm)	Extended Height with LBR (1220mm) (mm)	Free Lift Height without LBR (BOF) (mm)	Capacities (kg) @ 500mm Load Centre			
						Super Elastic Tyres		Pneumatic Radial Tyres	
						Without sideshift (kg)	With sideshift + Fork Positioner (kg)	Without sideshift (kg)	With sideshift + Fork Positioner (kg)
2-Stage Limited Free-Lift (LFL) Mast Class II									
2960	6	2170	3557	3875	50	2000	1930	2000	1930
3260	6	2320	3857	4175	50	2000	1930	2000	1930
3660	6	2420	4257	4575	50	2000	1930	2000	1930
3900	6	2570	4497	4815	50	2000	1920	2000	1920
4200	6	2720	4797	5115	50	1960	1880	1960	1880
4500	6	2870	5097	5415	50	1820	1760	1820	1760
4700	6	3020	5297	5615	50	1650	1600	1650	1450
5000	6	3220	5597	5915	50	1400	1350	1400	1060
5500	6	3470	6097	6415	50	1110	1050	1110	690
2-Stage Full Free-Lift (FFL) Mast Class II									
2990	6	2020	3587	3905	770	2000	1930	2000	1930
3190	6	2120	3787	4105	820	2000	1930	2000	1930
3290	6	2170	3887	4205	845	2000	1930	2000	1930
3490	6	2220	4087	4405	870	2000	1930	2000	1930
3590	6	2270	4187	4505	895	2000	1930	2000	1930
4010	6	2320	4607	4925	920	2000	1910	2000	1910
4510	6	2370	5107	5425	945	1910	1820	1900	1820
4910	6	2420	5507	5825	970	1820	1730	1820	1130
5510	6	2570	6107	6425	1045	1670	1590	1210	680
3-Stage Full Free-Lift (FFL) Mast									
4050	6	2020	4647	4965	770	1990	1910	1990	1600
4450	6	2020	5047	5365	770	1910	1830	1910	1140
4600	6	2020	5197	5515	770	1880	1800	1690	1020
4750	6	2020	5347	5665	770	1850	1770	1480	920
4900	6	2070	5497	5815	795	1820	1510	1300	830
5200	6	2170	5797	6115	845	1750	1140	1040	670
5350	6	2270	5947	6265	895	1710	1010	940	600
5500	6	2320	6097	6415	920	1660	900	840	530
6100	6	2520	6697	7015	1020	940	580	540	320
6550	6	2670	7147	7465	1095	670	410	370	210
7000	6	2820	7597	7915	1170	460	270	240	100

MAST DIMENSIONS – GLP/GDP1.8N

Maximum Fork Height (TOF) (mm)	Back Tilt (°)	Lowered Height (mm)	Extended Height without LBR (mm)	Extended Height with LBR (1220mm) (mm)	Free Lift Height without LBR (BOF) (mm)	Capacities (kg) @ 600mm Load Centre			
						Super Elastic Tyres		Pneumatic Radial Tyres	
						Without sideshift (kg)	With sideshift + Fork Positioner (kg)	Without sideshift (kg)	With sideshift + Fork Positioner (kg)
2-Stage Limited Free-Lift (LFL) Mast Class II									
2960	6	2170	3557	3875	50	1730	1650	1730	1650
3260	6	2320	3857	4175	50	1730	1650	1730	1650
3660	6	2420	4257	4575	50	1720	1650	1720	1650
3900	6	2570	4497	4815	50	1710	1640	1690	1630
4200	6	2720	4797	5115	50	1680	1600	1660	1580
4500	6	2870	5097	5415	50	1620	1550	1610	1550
4700	6	3020	5297	5615	50	1580	1510	1580	1510
5000	6	3220	5597	5915	50	1400	1350	1400	1350
5500	6	3470	6097	6415	50	1110	1050	1110	850
2-Stage Full Free-Lift (FFL) Mast Class II									
2990	6	2020	3587	3905	770	1730	1650	1730	1650
3190	6	2120	3787	4105	820	1720	1650	1720	1650
3290	6	2170	3887	4205	845	1720	1640	1720	1640
3490	6	2220	4087	4405	870	1720	1640	1720	1640
3590	6	2270	4187	4505	895	1720	1640	1720	1640
4010	6	2320	4607	4925	920	1710	1630	1700	1630
4510	6	2370	5107	5425	945	1620	1550	1620	1550
4910	6	2420	5507	5825	970	1540	1470	1540	1470
5510	6	2570	6107	6425	1045	1410	1340	1400	830
3-Stage Full Free-Lift (FFL) Mast									
4050	6	2020	4647	4965	770	1700	1630	1700	1630
4450	6	2020	5047	5365	770	1650	1580	1650	1290
4600	6	2020	5197	5515	770	1620	1550	1620	1150
4750	6	2020	5347	5665	770	1590	1520	1590	1040
4900	6	2070	5497	5815	795	1560	1490	1490	940
5200	6	2170	5797	6115	845	1500	1320	1170	770
5350	6	2270	5947	6265	895	1460	1150	1060	690
5500	6	2320	6097	6415	920	1430	1010	950	630
6100	6	2520	6697	7015	1020	1070	660	630	400
6550	6	2670	7147	7465	1095	760	480	460	280
7000	6	2820	7597	7915	1170	540	340	310	180

All values are nominal values and they are subject to tolerances.

MAST DIMENSIONS – GLP/GDP2.0NS

Maximum Fork Height (TOF) (mm)	Back Tilt (°)	Lowered Height (mm)	Extended Height without LBR (mm)	Extended Height with LBR (1220mm) (mm)	Free Lift Height without LBR (BOF) (mm)	Capacities (kg) @ 600mm Load Centre			
						Super Elastic Tyres		Pneumatic Radial Tyres	
						Without sideshift (kg)	With sideshift + Fork Positioner (kg)	Without sideshift (kg)	With sideshift + Fork Positioner (kg)
2-Stage Limited Free-Lift (LFL) Mast Class II									
2960	6	2170	3557	3875	50	1820	1740	1820	1740
3260	6	2320	3857	4175	50	1820	1740	1820	1740
3660	6	2420	4257	4575	50	1820	1740	1820	1740
3900	6	2570	4497	4815	50	1810	1730	1810	1730
4200	6	2720	4797	5115	50	1780	1700	1780	1700
4500	6	2870	5097	5415	50	1720	1640	1720	1640
4700	6	3020	5297	5615	50	1650	1600	1650	1500
5000	6	3220	5597	5915	50	1400	1350	1400	1090
5500	6	3470	6097	6415	50	1110	1050	1110	720
2-Stage Full Free-Lift (FFL) Mast Class II									
2990	6	2020	3587	3905	770	1820	1740	1820	1740
3190	6	2120	3787	4105	820	1820	1740	1820	1740
3290	6	2170	3887	4205	845	1820	1740	1820	1740
3490	6	2220	4087	4405	870	1820	1740	1820	1740
3590	6	2270	4187	4505	895	1820	1740	1820	1740
4010	6	2320	4607	4925	920	1810	1730	1810	1730
4510	6	2370	5107	5425	945	1720	1640	1720	1640
4910	6	2420	5507	5825	970	1640	1570	1640	1150
5510	6	2570	6107	6425	1045	1510	1440	1240	700
3-Stage Full Free-Lift (FFL) Mast									
4050	6	2020	4647	4965	770	1800	1720	1800	1580
4450	6	2020	5047	5365	770	1730	1660	1730	1140
4600	6	2020	5197	5515	770	1700	1630	1670	1040
4750	6	2020	5347	5665	770	1670	1600	1470	930
4900	6	2070	5497	5815	795	1640	1300	1560	840
5200	6	2170	5797	6115	845	1580	1180	1050	690
5350	6	2270	5947	6265	895	1550	1040	950	610
5500	6	2320	6097	6415	920	1510	920	860	550
6100	6	2520	6697	7015	1020	980	600	550	340
6550	6	2670	7147	7465	1095	690	420	390	210
7000	6	2820	7597	7915	1170	490	280	240	110

All values are nominal values and they are subject to tolerances.

FEATURES LIST – SERIES N

PERFORMANCE	STD	OPT	HANDLING	STD	OPT
Yanmar 2.2L LPG Tier III		•	Hook Type Standard Carriage - 980mm	•	
Yanmar 2.2L Dual Fuel Tier III		•	Hook Type Integral Sideshift Carriage - 980mm		•
Yanmar 2.2L LPG Stage V		•	Hook Type Integral Sideshifting Fork Positioner - 980mm		•
Powershift Transmission	•		Hook Type Standard Taper Forks 1000mm	•	
Techtronix Transmission		•	Hook Type Standard Taper Forks 1100mm		•
Drum Brakes	•		Hook Type Standard Taper Forks 1200mm		•
Standard (-20° C to 40° C) Environmental construction	•		Without Load backrest	•	
High Air Intake	•		1220mm High Load Backrest		•
Heavy duty air intake and pre-cleaner options		•	915mm High Load Backrest		•
Internal Air Intake		•	915mm High Load Backrest Drop Centre		•
Swing out LPG bracket with Fabric strap	•		1524mm High Load Backrest		•
Swing Out and Drop Down LPG bracket with Fabric Strap		•	Tilt Cylinder Boots		•
LPG tank bracket interlock		•	Hydraulic Accumulator		•
Integrated Fuel Level Sensor	•		Manual Lever Hydraulic Control	•	
Low Exhaust	•		Mini Lever Hydraulic Control		•
System monitoring package	•		Joystick hydraulic control		•
Premium monitoring package		•	High temperature hydraulic fluid		•
Powertrain Protection with engine shutdown		•	Clamping function		•
Radiator Screen		•	Return to set tilt function		•
Exhaust wraps		•	2 Function (0 Auxiliary) Hydraulic Valve	•	
Empty seat engine shutdown		•	3 Function (1 Auxiliary) Hydraulic Valve		•
Belly screen		•	4 Function (2 Auxiliary) Hydraulic Valve		•
DRIVE	STD	OPT	Fork Laser Positioning System		•
Single pedal inch brake	•		Load Weight Display		•
Dual brake pedal		•	Attachment extension tubes and quick disconnects		•
Tyres - Super Elastic	•		VISIBILITY	STD	OPT
Tyres - Super Elastic - Premium		•	Top wiper		•
Tyres - Super Elastic - Premium - Non Marking		•	Spot light activation continuous / directional		•
Tyres - Pneumatic Radial - Premium		•	Dual Side View Mirrors		•
Tyres - Pneumatic - Premium		•	Panoramic Mirror		•
Wide tread tyres		•	LED Work lights		•
Steer Column with Tilt and Telescope		•	High Performance LED Work lights		•
Steering Column Mounted Directional Control	•		Rear reflector	•	
Steering Wheel with Spinner Knob	•		LED Rear light package Brake/Tail/Backup		•
Steer Column with Infinitely Adjustable Tilt	•		LED Rear light package Brake/Tail/Backup/Turn		•
On Demand Power Steering	•		LED Rear light package Brake/Tail/Backup/Turn/Hazards		•
On demand Power Steering with Synchronous Steering		•	Switch Activated Strobe Light		•
LIFT	STD	OPT	Audible Reverse Alarm		•
2 Stage Limited Free Lift Mast	•		Forward and Reverse Alarm		•
2 Stage Full Free Lift Mast		•	LED Mast Mounted lights		•
3 Stage Full Free Lift Mast		•	Blue LED Pedestrian Awareness Spotlights		•
6° Forward / 6° Back Mast Tilt	•		Red LED Pedestrian Awareness Perimeter Lines		•
10° Forward / 6° Back Mast Tilt		•	Rear View Camera System Integrated in 178mm Colour Display		•
Standard Displacement Hydraulic Pump (CDP)	•				
On Demand Hydraulic Pump (VDP)		•			

FEATURES LIST – SERIES N

ERGONOMICS	STD	OPT	OPERATION	STD	OPT
Monitor mount		•	Traction speed limiters		•
Operator fan		•	Seat belt Hi-Vis interlocking	•	
Beverage holder		•	Key Switch Start	•	
RF handheld scanner holder		•	Keyless with Operator password start		•
Mobile phone holder		•	Engine driven cooling	•	
Starter battery dongle		•	Travel speed Alarm		•
Engine block heater		•	Battery disconnect		•
Stretch film roll holder		•	Front Mud Guards		•
Rectangular Over Head Guard		•	Drive axle string cutter		•
Polycarbonate rain top		•	Standard Seat Belt		•
Figure 8 Tube Over Head Guard	•		Telemetry Prepared	•	
Grid Style Overhead Guard	•		Dynamic Stability System		•
Clear View Overhead Guard		•	Seat Side Direction Control		•
Cabin Options (Partial, PVC, Steel Doors)		•	Foot Direction Control		•
Console Tray		•	Yale Vision Wireless Monitoring		•
51mm / 2" Colour Touchscreen Display		•	Yale Vision Wireless Access		•
127mm / 5" Colour Touchscreen Display	•		Yale Vision Wireless Verification		•
178mm / 7" Colour Touchscreen Display		•	APPEARANCE	STD	OPT
Full Suspension Vinyl Seat		•	Yale Gold paint base truck	•	
Full Suspension Cloth Seat		•	Special paint base truck		•
Full Suspension Vinyl Seat - Value	•		SUPPLEMENTAL	STD	OPT
Air Ride Full Suspension Vinyl Seat		•	24 Months / 4,000 Hours Warranty	•	
Air Ride Full Suspension Cloth Seat		•	36 Months / 6,000 Hours Warranty		•
Full suspension seat - Low profile		•	Literature Pack	•	
Sun Shades (top and / or front)		•			
Air Conditioning		•			
Accessory Mounting Post and options		•			
12v Aux supply		•			
12v Supply with twin USB charging sockets		•			

All values are nominal values and they are subject to tolerances.



About Yale®

Yale Materials Handling Corporation is one of the oldest manufacturers of lift trucks in the world. We've been in the business of lifting since 1875 and we apply that experience to help customers solve materials handling challenges. Our full line of lift trucks range in capacity from 1 to 16 tonne and are powered by internal combustion engines or electric options. Yale also offers robotic solutions, telemetry, fleet management, parts, financing and training. From traditional lift truck equipment to emerging technologies, our goal, every day, is to work with our nationwide dealer network to continually improve and provide the solutions you need, when and how you need them.

MATERIALS HANDLING FOR:

- 3PL
- Auto Parts
- Beverage
- Cold & Frozen Foods
- Food Distribution
- Food Processing
- Furniture & Furnishings
- Health & Pharma
- Home Centres
- Retail
- E-Commerce

Yale Lift Truck Technologies

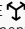
Centennial House
Frimley Business Park
Frimley
Surrey
GU16 7SG
United Kingdom

www.yale.com



Safety: All Yale products sold into EU countries, UK, and Turkey conform to the EU requirements of Machinery Directive 2006/42/EC and contain **CE** marking. Yale trucks sold into other countries may be ordered for production in conformance with Machinery Directive requirements, and when so ordered will contain **CE** marking.

HYSTER-YALE UK LIMITED trading as Yale Lift Truck Technologies. Registered Address: Centennial House, Building 4.5, Frimley Business Park, Frimley, Surrey, GU16 7SG, United Kingdom. Registered in England and Wales. Company Registration Number: 02636775.

©2023 Hyster-Yale Group, Inc., all rights reserved. YALE and YALE  are trademarks of Hyster-Yale Group, Inc. Trucks may be shown with optional equipment and/or features not available in all regions. Truck performance may be affected by the condition of the vehicle, how it is equipped and the application. Specifications are subject to change without notice.

Notice: Care must be exercised when handling elevated loads. Operators must be trained and must read, understand and follow the instructions contained in the Operating Manual. Consult your Yale® Dealer if any of the information shown is critical to your application.

Publication part no. 220997084 Rev.00 (1123TLC) EN