



MS15XUX

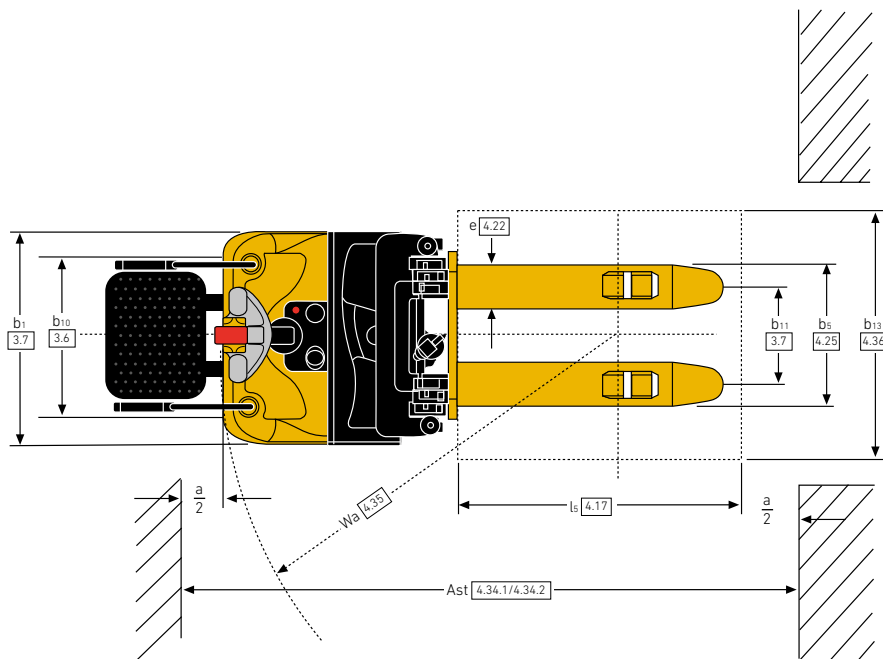
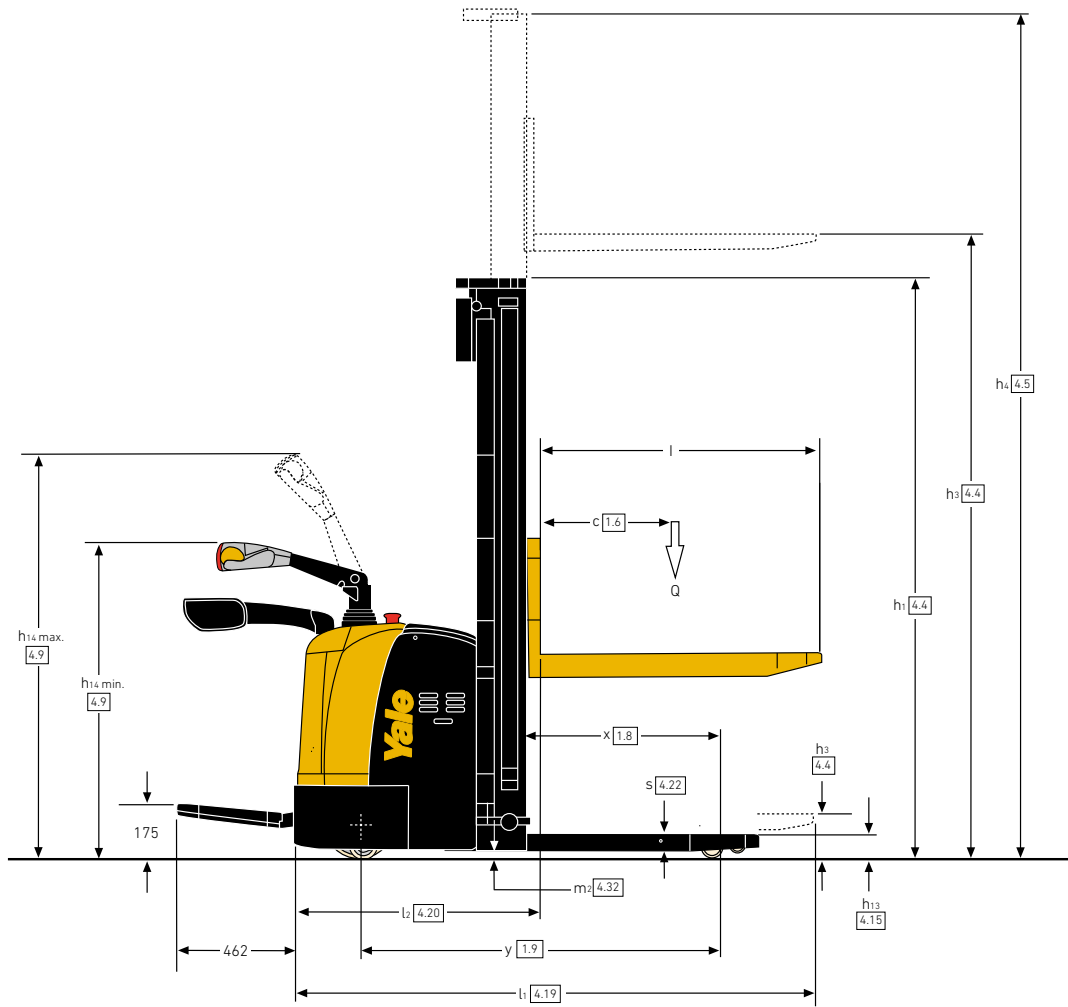
SPEC SHEET

1,500 kg

MS15XUX

Platform Stacker Truck

TRUCK DIMENSIONS – MS15XUX

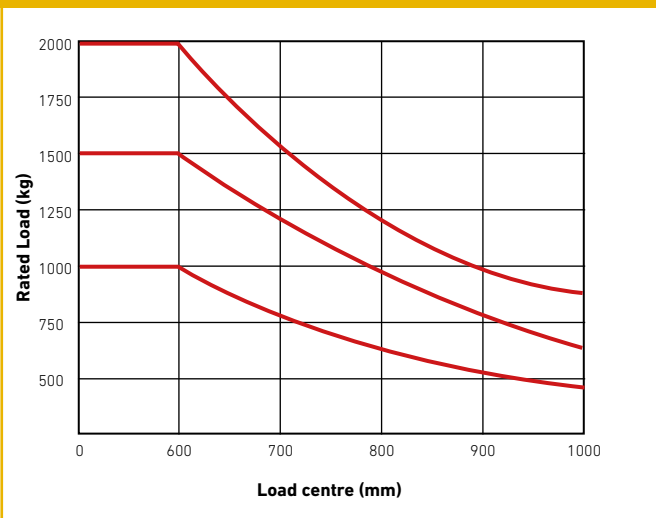


VDI 2198 – GENERAL SPECIFICATIONS – MS15XUX

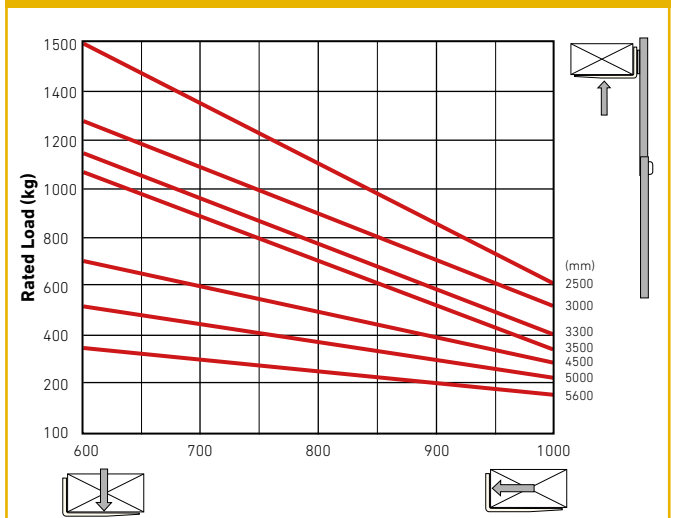
GENERAL	1.1	Manufacturer	Yale	
	1.2	Model designation	MS15XUX	
	1.3	Drive	Electric (battery)	
	1.4	Operator type	Standing	
	1.5	Rated load capacity/rated load	Q (kg)	1500
	1.6	Load centre distance	c (mm)	600
	1.8	Load distance, centre of drive axle to fork	x (mm)	672
	1.9	Wheelbase	y (mm)	1378
	WEIGHT	2.1	Service weight (with battery)	kg
2.2		Axle loading, laden front/rear	mm	1830 / 1140
2.3		Axle loading, unladen front/rear	mm	1040 / 470
TYRES	3.1	Tyres front/rear	Polyurethane	
	3.2	Tyre size, front	ø (mm x mm)	250 x 70
	3.3	Tyre size, rear	ø (mm x mm)	80 x 84
	3.4	Addition wheel (dimensions)	ø (mm x mm)	150 x 60
	3.5	Wheels, number front rear(x=driven wheels)	1X + 2/4	
	3.6	Tread, front	b ₁₀ (mm)	580
	3.7	Tread, rear	b ₁₁ (mm)	404 / 530
DIMENSIONS	4.2	Height, mast lowered	h ₁ (mm)	1735 / 1985 / 2135 / 2235 / 2050 / 2210 / 2410
	4.3	Free lift (option 2500-3500mm)	h ₂ (mm)	1300 / 1550 / 1700 / 1800 / 1570 / 1740 / 1940
	4.4	Max.lift height	h ₃ (mm)	2500 / 3000 / 3300 / 3500 / 4500 / 5000 / 5600
	4.5	Height, mast extended	h ₄ (mm)	2955 / 3455 / 3755 / 3955 / 5030 / 5510 / 6110
	4.6	Initial lift	h ₅ (mm)	1150 / 1450
	4.19	Overall length	l ₁ (mm)	2020 / 2100
	4.20	Length to face of forks	l ₂ (mm)	950
	4.21	Overall width	b ₁ / b ₂ (mm)	850
	4.22	Fork dimensions	s/e/l (mm)	60 / 80 / 1070 (1150)
	4.25	Width overall forks	b ₅ (mm)	570 / 695
	4.32	Ground clearance, centre of wheelbase	m ₂ (mm)	31
	4.34.1	Aisle width for pallets 1000 x 1200 crossways	A _{st} (mm)	2535
	4.34.2	Aisle width for pallets 800 x 1200 crossways	A _{st} (mm)	2515
4.35	Turning radius	Wa (mm)	1655	
PERFORMANCE	5.1	Travel speed, laden/unladen	km/h	6.5 / 6.7
	5.2	Lift speed, laden/unladen	km/h	0.11 / 0.14
	5.3	Lowering speed, laden/unladen	m/s	0.12 / 0.12
	5.7	Gradeability, laden/unladen	%	8 / 15
	5.10	Service brake	Electromagnetic	
ELECTRIC	6.4	Battery voltage,nominal capacity K5	V/Ah	24 / 240 24 / 300
	6.5	Battery weight	kg	220 260
	6.5.1	Battery compartment dimensions, l/w/h	mm	675 x 254 x 500 675 / 254 / 540
10.7	Sound pressure level at the driver's seat	dB (A)	70	

All values are nominal values and they are subject to tolerances.

LOAD CENTER – MS15XUX



LOAD CAPACITY – MS15XUX





About Yale®

Yale Materials Handling Corporation is one of the oldest manufacturers of lift trucks in the world. We've been in the business of lifting since 1875 and we apply that experience to help customers solve materials handling challenges. Our full line of lift trucks range in capacity from 1 to 16 tonne and are powered by internal combustion engines or electric options. Yale also offers robotic solutions, telemetry, fleet management, parts, financing and training. From traditional lift truck equipment to emerging technologies, our goal, every day, is to work with our nationwide dealer network to continually improve and provide the solutions you need, when and how you need them.

MATERIALS HANDLING FOR:

- 3PL
- Auto Parts
- Beverage
- Cold & Frozen Foods
- Food Distribution
- Food Processing
- Furniture & Furnishings
- Health & Pharma
- Home Centres
- Retail
- E-Commerce

Yale Lift Truck Technologies

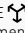
Centennial House
Frimley Business Park
Frimley
Surrey
GU16 7SG
United Kingdom

www.yale.com



Safety: All Yale products sold into EU countries, UK, and Turkey conform to the EU requirements of Machinery Directive 2006/42/EC and contain **CE** marking. Yale trucks sold into other countries may be ordered for production in conformance with Machinery Directive requirements, and when so ordered will contain **CE** marking.

HYSTER-YALE UK LIMITED trading as Yale Lift Truck Technologies. Registered Address: Centennial House, Building 4.5, Frimley Business Park, Frimley, Surrey, GU16 7SG, United Kingdom. Registered in England and Wales. Company Registration Number: 02636775.

©2023 Hyster-Yale Group, Inc., all rights reserved. YALE and YALE  are trademarks of Hyster-Yale Group, Inc. Trucks may be shown with optional equipment and/or features not available in all regions. Truck performance may be affected by the condition of the vehicle, how it is equipped and the application. Specifications are subject to change without notice.

Notice: Care must be exercised when handling elevated loads. Operators must be trained and must read, understand and follow the instructions contained in the Operating Manual. Consult your Yale® Dealer if any of the information shown is critical to your application.

Publication part no. 220991732 Rev.00 (0323DMS) EN