



# MP20XUX

SPEC SHEET

2,000 kg

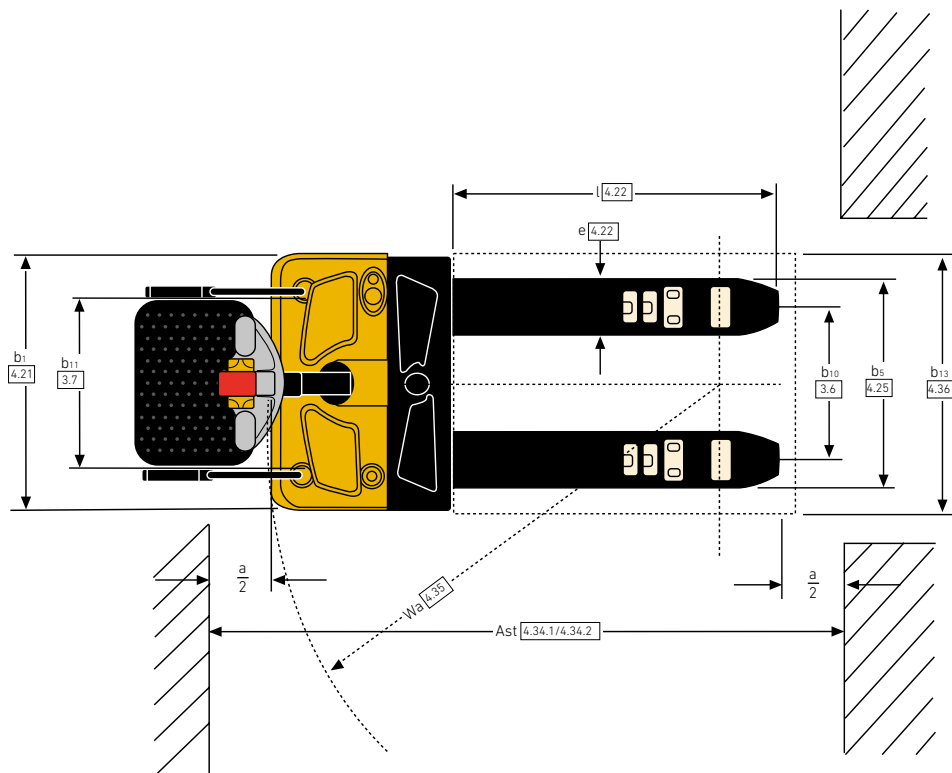
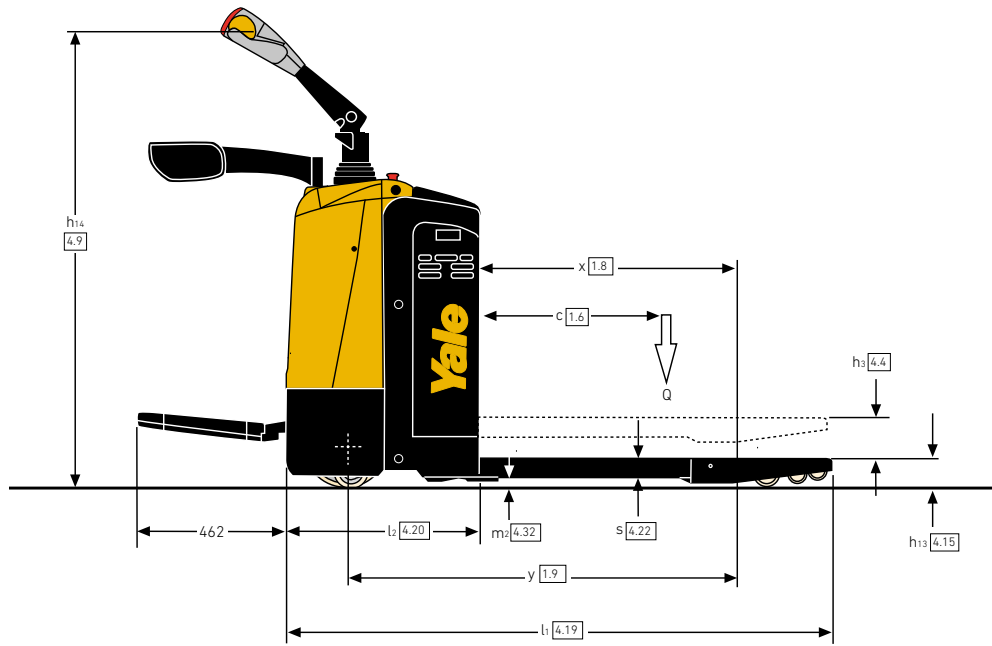
---

MP20XUX

---

Platform Pallet Truck

# TRUCK DIMENSIONS – MP20XUX



## VDI 2198 – GENERAL SPECIFICATIONS – MP20XUX

GENERAL	1.1	Manufacturer		Yale
	1.2	Model designation		<b>MP20XUX</b>
	1.3	Drive		Electric (battery)
	1.4	Operator type		Standing
	1.5	Rated load capacity/rated load	Q (kg)	2000
	1.6	Load centre distance	c (mm)	600
	1.8	Load distance, centre of drive axle to fork	x (mm)	815 / 865 / 935
	1.9	Wheelbase	y (mm)	1211 / 1261 / 1331
	WEIGHT	2.1	Service weight (with battery)	kg
2.2		Axle loading, laden front/rear	mm	1300 / 1410
2.3		Axle loading, unladen front/rear	mm	110 / 600
TYRES	3.1	Tyres front/rear		Polyurethane
	3.2	Tyre size, front	ø (mm x mm)	250 x 70
	3.3	Tyre size, rear	ø (mm x mm)	82 x 98
	3.4	Addition wheel (dimensions)	ø (mm x mm)	127 x 57
	3.5	Wheels, number front rear (x=driven wheels)		1X + 2/2 (4)
	3.6	Tread, front	b <sub>10</sub> (mm)	490
	3.7	Tread, rear	b <sub>11</sub> (mm)	340 / 370 / 470 / 505
DIMENSIONS	4.4	Max.lift height	h <sub>3</sub> (mm)	202
	4.9	Height drawbar in driving position min./max.	h <sub>14</sub> (mm)	1150 / 1430
	4.19	Overall length	l <sub>1</sub> (mm)	1710 / 1760 / 1830
	4.20	Length to face of forks	l <sub>2</sub> (mm)	610
	4.21	Overall width	b <sub>1</sub> / b <sub>1</sub> (mm)	775
	4.22	Fork dimensions	s/e/l (mm)	53 / 180 / 1100 (1150 / 1220)
	4.25	Width overall forks	b <sub>5</sub> (mm)	520 / 550 / 650 / 685
	4.32	Ground clearance, centre of wheelbase	m <sub>2</sub> (mm)	28
	4.34.1	Aisle width for pallets 1000 x 1200 crossways	A <sub>st</sub> (mm)	1910 / 1960 / 2030
	4.34.2	Aisle width for pallets 800x1200 crossways	A <sub>st</sub> (mm)	2010 / 2010 / 2030
4.35	Turning radius	W <sub>a</sub> (mm)	1550 / 1600 / 1670	
PERFORMANCE	5.1	Travel speed, laden/unladen	km/h	7.0 / 7.1
	5.2	Lift speed, laden/unladen	km/h	0.039 / 0.056
	5.3	Lowering speed, laden/unladen	m/s	0.064 / 0.050
	5.6	Max. gradeability, laden/unladen	%	8 / 20
	5.10	Service brake		Electromagnetic
ELECTRIC	6.4	Battery voltage,nominal capacity K5	V/Ah	24 / 210
	6.5	Battery weight	kg	170
		Battery compartment dimensions, l/w/h	mm	750 x 170 x 534
	10.7	Sound pressure level at the driver's seat	dB (A)	70

All values are nominal values and they are subject to tolerances.



# About Yale®

Yale Materials Handling Corporation is one of the oldest manufacturers of lift trucks in the world. We've been in the business of lifting since 1875 and we apply that experience to help customers solve materials handling challenges. Our full line of lift trucks range in capacity from 1 to 16 tonne and are powered by internal combustion engines or electric options. Yale also offers robotic solutions, telemetry, fleet management, parts, financing and training. From traditional lift truck equipment to emerging technologies, our goal, every day, is to work with our nationwide dealer network to continually improve and provide the solutions you need, when and how you need them.

## MATERIALS HANDLING FOR:

- 3PL
- Auto Parts
- Beverage
- Cold & Frozen Foods
- Food Distribution
- Food Processing
- Furniture & Furnishings
- Health & Pharma
- Home Centres
- Retail
- E-Commerce

## Yale Lift Truck Technologies


Centennial House  
Frimley Business Park  
Frimley  
Surrey  
GU16 7SG  
United Kingdom

[www.yale.com](http://www.yale.com)



**Safety:** All Yale products sold into EU countries, UK, and Turkey conform to the EU requirements of Machinery Directive 2006/42/EC and contain **CE** marking. Yale trucks sold into other countries may be ordered for production in conformance with Machinery Directive requirements, and when so ordered will contain **CE** marking.

HYSTER-YALE UK LIMITED trading as Yale Lift Truck Technologies. Registered Address: Centennial House, Building 4.5, Frimley Business Park, Frimley, Surrey, GU16 7SG, United Kingdom. Registered in England and Wales. Company Registration Number: 02636775.

©2023 Hyster-Yale Group, Inc., all rights reserved. YALE and YALE  are trademarks of Hyster-Yale Group, Inc. Trucks may be shown with optional equipment and/or features not available in all regions. Truck performance may be affected by the condition of the vehicle, how it is equipped and the application. Specifications are subject to change without notice.

**Notice:** Care must be exercised when handling elevated loads. Operators must be trained and must read, understand and follow the instructions contained in the Operating Manual. Consult your Yale® Dealer if any of the information shown is critical to your application.

Publication part no. 220991644 Rev.00 (0323DMS) EN