

UXT series

1,600kg / 1,800kg / 2,000kg

Three wheel electric forklift trucks



- Ergonomically designed Operator Compartment
- Easy to maintain and service
- High visibility masts and optional integral side shift
- Highly responsive steering optimises manoeuvrability

VDI 2198 – General Specifications

| | | | Yale | Yale | Yale | |
|---------------------|--|--|-------------------------------|--------------------|--------------------|--------------------|
| Distinguishing mark | 1.1 | Manufacturer (abbreviation) | | Yale | Yale | |
| | 1.2 | Manufacturer's type designation | | UXT16 | UXT18 | UXT20 |
| | 1.3 | Drive: electric (battery or mains), diesel, petrol, fuel gas | | Electric (battery) | Electric (battery) | Electric (battery) |
| | 1.4 | Operation: manual, pedestrian, stand, seat, orderpicker | | Seated | Seated | Seated |
| | 1.5 | Rated capacity/rated load | Q (t) | 1600 | 1800 | 1800 |
| | 1.6 | Load centre | c (mm) | 500 | 500 | 500 |
| | 1.8 | Load centre distance | x (mm) | 371 | 371 | 371 |
| | 1.9 | Wheelbase | y (mm) | 1400 | 1400 | 1515 |
| | Weights | 2.1 | Unladen weight (max. battery) | kg | 3120 | 3190 |
| 2.2 | | Axle loading, laden front/rear (max. battery) | kg | 4010 / 660 | 4420 / 510 | 4870 / 580 |
| 2.3 | | Axle loading, unladen front/rear (max. battery) | kg | 1480 / 1640 | 1500 / 1690 | 1580 / 1810 |
| Tyres/chassis | 3.1 | Tyres: P = pneumatic, V = cushion SE = superelastic | | SE | SE | SE |
| | 3.2 | Tyre size, front | ø mm x mm | 18*7-8 | 18*7-8 | 200 / 50-10 |
| | 3.3 | Tyre size, rear | ø mm x mm | 15*4 1 / 2-8 | 15*4 1 / 2-8 | 15*4 1 / 2-8 |
| | 3.5 | Wheels, number front/rear (x = driven wheels) | | 2 x / 2 | 2 x / 2 | 2 x / 2 |
| | 3.6 | Tread, front | b10 (mm) | 933 | 933 | 952 |
| | 3.7 | Tread, rear | b11 (mm) | 186 | 186 | 186 |
| | Dimensions | 4.1 | Mast tilt, forward / backward | degrees | 6.15 / 6.75 | 6.15 / 6.75 |
| 4.2 | | Height of mast, lowered | h1 (mm) | 1992 | 1992 | 1990 |
| 4.3 | | Free lift, ⁽²⁾ | h2 (mm) | 35 | 35 | 54 |
| 4.4 | | Lift height, ⁽²⁾ | h3 (mm) | 3036 | 3036 | 3045 |
| 4.5 | | Height of mast, extended ⁽⁴⁾ | h4 (mm) | 4030 | 4030 | 4000 |
| 4.7 | | Height to top of overhead guard ⁽⁵⁾ | h6 (mm) | 2002 | 2002 | 2004 |
| 4.8 | | Seat height ⁽³⁾ | h7 (mm) | 965 | 965 | 965 |
| 4.12 | | Towing coupling height | h10 (mm) | 445 | 445 | 485 |
| 4.19 | | Overall length(with forks) | l1 (mm) | 2894 | 2894 | 3153 |
| 4.20 | | Length to face of forks | l2 (mm) | 1974 | 1974 | 2084 |
| 4.21 | | Overall width | b1 / b2 (mm) | 1084 | 1084 | 1140 |
| 4.22 | | Fork dimensions | s/e/l (mm) | 35 / 100 / 920 | 35 / 100 / 920 | 40 / 120 / 1070 |
| 4.23 | | Fork carriage DIN 15173. Class, A/B | | ISO2328 2A | ISO2328 2A | ISO 2328 2A |
| 4.24 | | Fork carriage width ⁽⁴⁾ | b3 (mm) | 951 | 951 | 950 |
| 4.25 | | Width over forks | b5 (mm) | 200 / 890 | 200 / 890 | 240 / 890 |
| 4.31 | | Ground clearance, laden, below mast | m1 (mm) | 89 | 89 | 88 |
| 4.32 | | Ground clearance at centre of wheelbase | m2 (mm) | 96 | 96 | 95 |
| 4.34.1 | Aisle width with pallets 1000mm long x 1200mm wide | Ast (mm) | 3290 | 3290 | 3445 | |
| 4.34.2 | Aisle width with pallets 800mm wide x 1200mm long | Ast (mm) | 3415 | 3415 | 3410 | |
| 4.35 | Outer turning radius | Wa (mm) | 1601 | 1601 | 1716 | |
| Performance data | 5.1 | Travel speed laden/unladen | km/h | 14 / 16 | 14 / 16 | 14 / 16 |
| | 5.2 | Lifting speed laden/unladen | m/s | 352 / 500 | 349 / 500 | 310 / 500 |
| | 5.3 | Lowering speed laden/unladen | m/s | 411 / 485 | 425 / 485 | 425 / 485 |
| | 5.5 | Drawbar pull laden/unladen, 60 minute rating | N | NA | NA | NA |
| | 5.6 | Maximum drawbar pull laden/unladen, 5 minute rating | N | 15500 / 10000 | 15000 / 10500 | 15500 / 12000 |
| | 5.6.1 | Maximum drawbar pull laden/unladen, 3 minute rating | | NA | NA | NA |
| | 5.7 | Gradeability with/without load, 30 minute rating, | % | NA | NA | NA |
| | 5.8 | Maximum Gradeability with/without load, 5 minute rating | % | 20 / 30 | 20 / 30 | 20 / 30 |
| | 5.8.1 | Maximum drawbar pull laden/unladen, 3 minute rating | | NA | NA | NA |
| | 5.9 | Acceleration time with/without load 10m | sec | 4.46 / 4.35 | 4.46 / 4.35 | 5.98 / 5.63 |
| 5.9.1 | Acceleration time with/without load 15m | | 5.79 / 5.51 | 5.79 / 5.51 | 6.95 / 6.79 | |
| 5.10 | Service brake | | Hydraulic | Hydraulic | Hydraulic | |
| Electric engine | 6.1 | Drive Motor Rating, S2, 60min | kW | 2 x 5 | 2 x 5 | 2 x 5 |
| | 6.2 | Lifting motor, S3 15% rating | kW | 11 | 11 | 11 |
| | | Steering motor | | NA | NA | NA |
| | 6.3 | Battery DIN 43531 /35 /36 A, B, C, no | No | 43531A | 43531A | 43531A |
| | 6.4 | Battery voltage / capacity (5hr rate) | (V)/(Ah) | 48 / 500 | 48 / 500 | 48 / 640 |
| | 6.5 | Battery weight (min/max) | kg | 945 | 945 | 1088 |
| 6.6 | Battery dimensions | l/w/h (mm) | 830 / 630 / 627 | 830 / 630 / 627 | 830 / 738 / 627 | |
| | Power consumption in accordance with VDI cycle | kWh/h | 5.19 | 5.30 | 5.7 | |
| 7.6 | Turn over | t/h | 102t/h | 105t/h | NA | |
| 8.1 | Drive control | | ACE2 2uC | ACE2 2uC | AC | |
| 8.2 | Manufacturer | | ZAPI | ZAPI | ZAPI | |
| Additional data | 10.1 | Operating pressure for attachments ⁽⁶⁾ | bar | 145 | 175 | 175 |
| | 10.2 | Oil volume for attachments | litres/min. | 38 | 38 | 38 |
| | 10.7 | Average noise level at operator's ear ⁽¹⁾ | dB(A) | 64.8 | 64.8 | 69.6 |
| | 10.8 | Towing coupling, type DIN | | Ø32 | Ø32 | Ø32 |
| | 10.3 | Hydraulic Tank - capacity (drain & refill) | litres | 32 | 32 | 32 |
| | 10.6 | Number of steering rotation | | 4 | 4 | 4 |
| | Steering force | | 10N | 10N | 10 | |

⁽¹⁾ LPAZ, measured according to the test cycles and based on the weighting values contained in EN12053

⁽⁶⁾ h6 subject to +/- 5 mm tolerance

⁽⁶⁾ Variable

⁽²⁾ Bottom of forks

⁽³⁾ Full suspension specified

⁽⁴⁾ Without load backrest

All values are nominal values and they are subject to tolerances.
For further information, please contact the manufacturer.
Yale products might be subject to change without notice.

Lift trucks illustrated may feature optional equipment.
Values may vary with alternative configurations.

ERP16-20UXT - Mast details and capacity ratings (kg) - Superelastic tyres

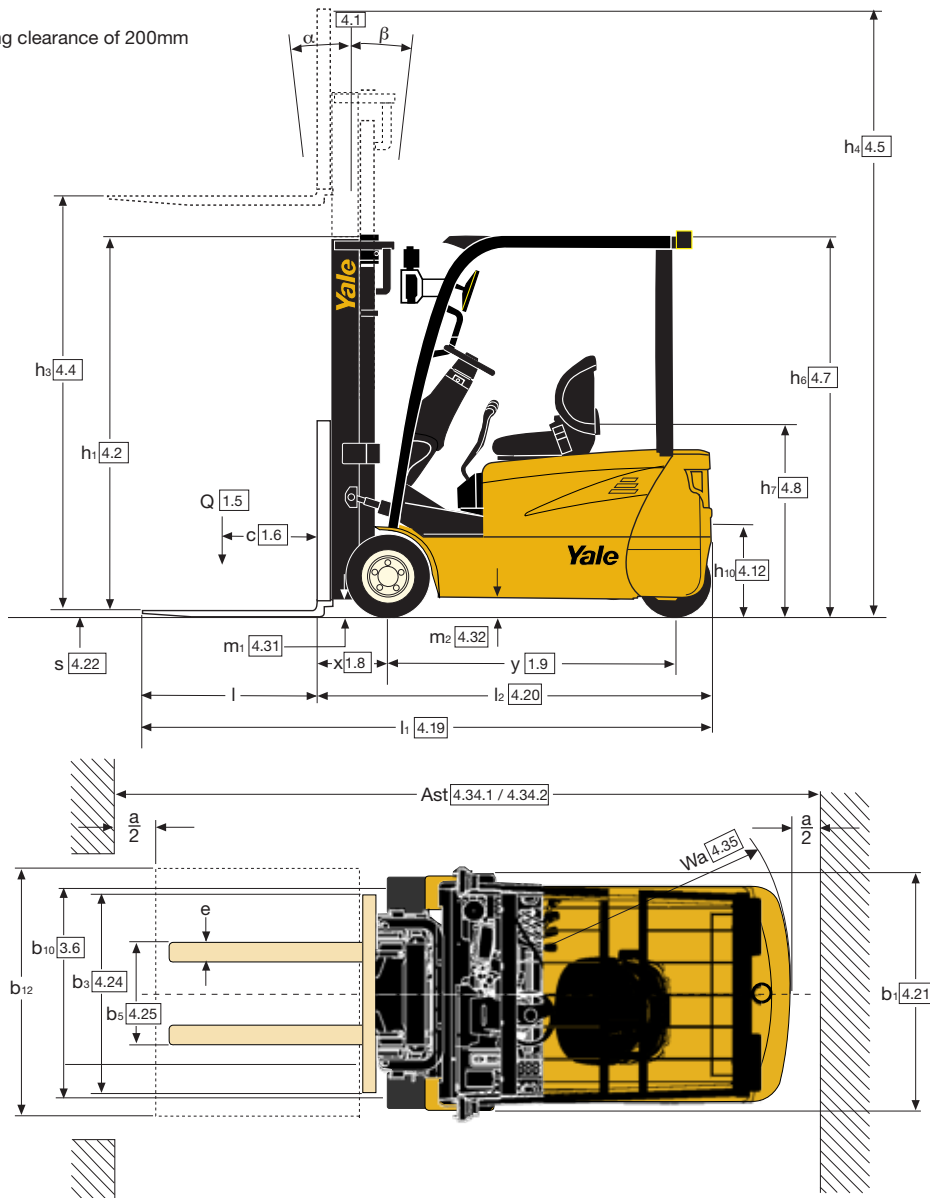
| Mast | Type | Max. lift height (mm) | Overall Extended Height | | | Free Lift | | Load Distance (mm) | Mast Tilt | | Load Capacity | | |
|-------------|---------|-----------------------|-------------------------|------------------|---------------|------------------|---------------|--------------------|-----------|-----|---------------------|-------|-------|
| | | | Lowered height (mm) | Lift Height | | Without LBR (mm) | With LBR (mm) | | F° | B° | Load center (500mm) | | |
| | | | | Without LBR (mm) | With LBR (mm) | | | | | | Single Tyre (kg) | | |
| | | | | | | | | | | | 16UXT | 18UXT | 20UXT |
| 2 Stage LFL | BM300 | 3000 | 1975 | 3490 | 4010 | 0 | 0 | 376 | 6.5 | 6.5 | 1600 | 1800 | 2000 |
| | BM330 | 3300 | 2125 | 3790 | 4310 | 0 | 0 | 376 | 6.5 | 6.5 | 1600 | 1800 | 2000 |
| | BM350 | 3500 | 2225 | 3990 | 4510 | 0 | 0 | 376 | 6.5 | 6.5 | 1600 | 1800 | 2000 |
| | BM370 | 3700 | 2325 | 4190 | 4710 | 0 | 0 | 376 | 6.5 | 6.5 | 1600 | 1800 | 2000 |
| | BM400 | 4000 | 2525 | 4490 | 5010 | 0 | 0 | 376 | 3.5 | 5 | 1600 | 1800 | 2000 |
| | BM450 | 4500 | 2775 | 4990 | 5510 | 0 | 0 | 376 | 3.5 | 5 | 1400 | 1600 | 1800 |
| | BM500 | 5000 | 3025 | 5490 | 6010 | 0 | 0 | 376 | 3.5 | 5 | 1250 | 1450 | 1500 |
| | BM550 | 5500 | 3325 | 5990 | 6510 | 0 | 0 | 376 | 3.5 | 5 | 1150 | 1200 | 1300 |
| 2 Stage FFL | BFM300 | 3000 | 1975 | 3490 | 4010 | 1510 | 990 | 376 | 3.5 | 6.5 | 1600 | 1800 | 2000 |
| | BFM330 | 3300 | 2125 | 3790 | 4310 | 1660 | 1140 | 376 | 3.5 | 6.5 | 1600 | 1800 | 2000 |
| | BFM350 | 3500 | 2225 | 3990 | 4510 | 1760 | 1240 | 376 | 3.5 | 6.5 | 1600 | 1800 | 2000 |
| | BFM370 | 3700 | 2325 | 4190 | 4710 | 1860 | 1340 | 376 | 3.5 | 6.5 | 1600 | 1800 | 2000 |
| | BFM400 | 4000 | 2525 | 4490 | 5010 | 2060 | 1540 | 376 | 3.5 | 5 | 1600 | 1800 | 2000 |
| 3 Stage FFL | BTFM400 | 4000 | 1850 | 4490 | 5010 | 1385 | 865 | 376 | 3.5 | 5 | 1600 | 1800 | 2000 |
| | BTFM435 | 4350 | 1975 | 4840 | 5360 | 1510 | 990 | 376 | 3.5 | 5 | 1500 | 1700 | 1900 |
| | BTFM450 | 4500 | 2025 | 4990 | 5510 | 1560 | 1040 | 376 | 3.5 | 5 | 1400 | 1600 | 1800 |
| | BTFM480 | 4800 | 2125 | 5290 | 5810 | 1660 | 1140 | 376 | 3.5 | 5 | 1300 | 1500 | 1650 |
| | BTFM500 | 5000 | 2225 | 5490 | 6010 | 1760 | 1240 | 376 | 3.5 | 5 | 1250 | 1450 | 1500 |
| | BTFM550 | 5500 | 2390 | 5990 | 6510 | 1925 | 1405 | 376 | 3.5 | 5 | 1150 | 1200 | 1300 |
| | BTFM600 | 6000 | 2575 | 6490 | 7010 | 2110 | 1590 | 376 | 3.5 | 5 | 1050 | 1100 | 1200 |
| | BTFM650 | 6500 | 2790 | 6990 | 7510 | 2325 | 1805 | 376 | 3.5 | 5 | 900 | 950 | 1000 |

Truck Dimensions

$$Ast = Wa + x + l_6 + a$$

a = Minimum operating clearance of 200mm

l₆ = Load length



UXT series

Models: ERP16UXT, ERP18UXT, ERP20UXT



Visibility

The overhead guard has been designed to provide the operator with excellent all round visibility.

Hoses are routed to allow a clear view of the load and forks.

Operator Comfort

Operator compartment is ergonomically designed to offer a practical and comfortable working environment for the driver. A large step gives easy access.

An LCD display provides the driver with the necessary operating information at a glance.

Adjustable steering column has a 8° range for maximum comfort.

A standard overhead guard, partial or full cabins are all available to meet different customer requirements.

The full cab has steel doors and front and rear screens with wash/wipe function with heater options also available.

LED marker lights and work lights are offered as standard, which eliminates the cost of bulb replacement.

Rear drive handle with integrated horn button mounted on the right rear guard leg is available.

Electronics

AC Technology features brushless motors that are protected against the ingress of dirt and water, which minimises damage and servicing costs. Roll-back is almost eliminated and higher travel speeds are attainable.

The drive and hoist systems are fully adjustable to suit the application and multiple performance parameters can be adjusted to suit the type of load, operating environment and skill of the driver. In-built diagnostics record intermittent faults and service requirements, which help reduce expensive service time.

AC Controllers optimise battery power,

particularly helpful on ramps and long runs as well as high lifts.

The truck is available with a 48V battery with 500-640Ah capacity.

Manoeuvrability

Highly responsive steering optimises manoeuvrability in confined spaces. Proven transmission provides smooth movement and changes of direction.

Dimensions of the truck ensure effective operation in most aisles without sacrificing driver comfort and visibility.

Load Handling

The robustly constructed mast provides optimal visibility with the auxiliary hoses centred on the free lift cylinder to eliminate hose twisting.

Positive hose retention and large radius bends are employed to minimise hose scuffing, maximising life.

Masts are offered with a tilt option, the tilt cylinder anchors are widely spaced to increase lateral stiffness and visibility.

A range of Class II LFL and FFL masts are available along with carriages including integrated side shift carriages to make load handling easy and convenient.

Hydraulic control

The ergonomically positioned control levers provide precise control, available with 2 and 3 function hydraulics.

Optional integral side shift carriage assists precise load handling.

Reliability

The truck has a durable construction with a one piece welded frame.

Mast tilt cylinders are sealed to minimize contamination.

Optimum performance and a long working life is ensured by using high-quality components.

Serviceability

Yale trucks are backed up by a 2000 hour warranty and comprehensive parts availability and are easy to maintain and service.

Access to the key components and daily checks is easy thanks to the 70° hood opening, held open with a locked gas spring.




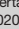
Yale Europe Materials Handling

Centennial House
Frimley Business Park
Frimley, Surrey GU16 7SG
United Kingdom

Tel: +44 (0) 1276 538500
Fax: +44 (0) 1276 538559

www.yale.com

Publication part no. 220991268 Rev.00 Printed in The Netherlands (0820HG) EN.

HYSTER-YALE UK LIMITED trading as Yale Europe Materials Handling. Specification is subject to change without notice. Yale, VERACITOR and  are registered trademarks. "PEOPLE, PRODUCTS, PRODUCTIVITY", PREMIER, Hi-Vis, and CSS are trademarks in the United States and certain other jurisdictions. MATERIALS HANDLING CENTRAL and MATERIAL HANDLING CENTRAL are Service Marks in the United States and certain other jurisdictions.  is a Registered Copyright. © Yale Europe Materials Handling 2020. All rights reserved. Truck shown with optional equipment. Country of Registration: England and Wales. Company Registration Number: 02636775

