

# MS15UX

1,500kg

## Pedestrian Stacker Truck



### Productivity

- Advanced AC control system
- Regenerative brake system
- Anti-pin button (Reverses truck to prevent user being pinned)
- Quick emergency disconnect (QED)
- Creep speed button (fine control with tiller arm in vertical position).

### Dependability

- Multi-function display with Battery Discharge Indicator (BDI) including on-board diagnostics.

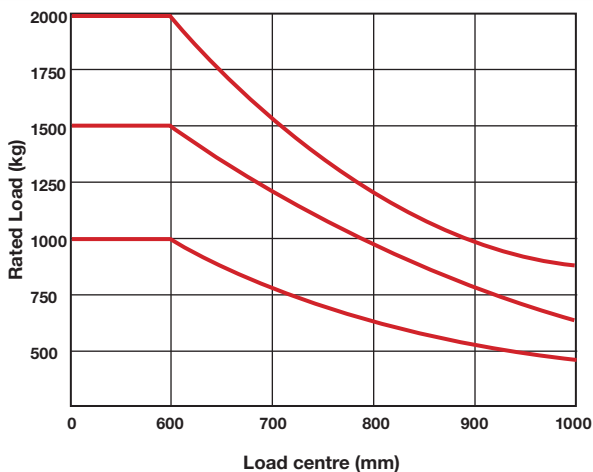
### Serviceability

- CAN bus technology reduces wiring complexity and increase reliability
- Side battery extraction.

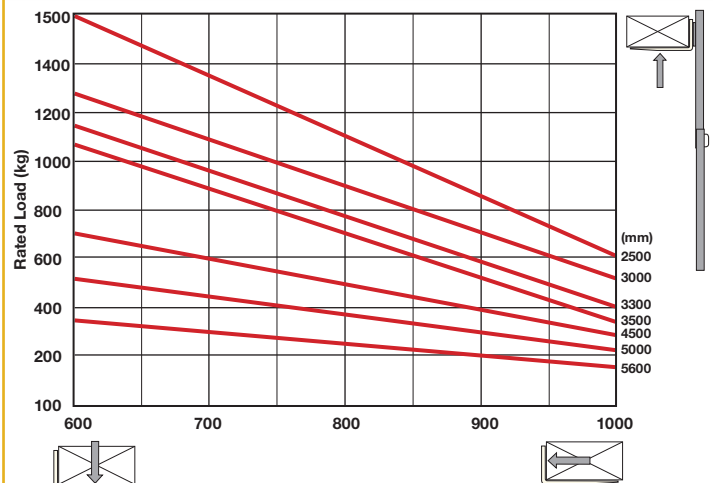
## VDI 2198 – General Specifications

Distinguishing mark	1.1	Manufacturer		Yale
	1.2	Manufacturer's type designation		<b>MS15UX</b>
	1.3	Drive: electric (battery or mains), diesel, petrol, fuel gas		Electric (battery)
	1.4	Operator type: hand, pedestrian, standing, seated, order-picker		Pedestrian
	1.5	Rated load capacity/rated load	Q (kg)	1500
	1.6	Load centre distance	c (mm)	600
	1.8	Load distance, centre of drive axle to fork	x (mm)	697
	1.9	Wheelbase	y (mm)	1383
	Weights	2.1	Service weight (with battery)	kg
2.2		Axle loading, laden front/rear	mm	1440 / 1280
2.3		Axle loading, unladen front/rear	mm	870 / 350
Tyres/chassis	3.1	Tyres: polyurethane, tophane, Vulkollan <sup>®</sup> , front/rear		Polyurethane
	3.2	Tyre size, front		Φ 250 × 70
	3.3	Tyre size, rear		Φ 80 × 84
	3.4	Addition wheel (dimensions)		Φ 150 × 60
	3.5	Wheels, number front rear(x=driven wheels)		1X + 1/4
	3.6	Tread, front	b <sub>10</sub> (mm)	520
	3.7	Tread, rear	b <sub>11</sub> (mm)	404 / 525
Dimensions	4.2	Height, mast lowered	h <sub>1</sub> (mm)	1735 / 1985 / 2135 / 2235 / 2050 / 2210 / 2410
	4.3	Free lift (option 2500~3500mm)	h <sub>2</sub> (mm)	-
	4.4	Max.lift height	h <sub>3</sub> (mm)	2500 / 3000 / 3300 / 3500 / 4500 / 5000 / 5600
	4.5	Height, mast extended	h <sub>4</sub> (mm)	2955 / 3455 / 3755 / 3955 / 5030 / 5510 / 6110
	4.19	Overall length	l <sub>1</sub> (mm)	1950
	4.20	Length to face of forks	l <sub>2</sub> (mm)	878
	4.21	Overall width	b <sub>1</sub> / b <sub>1</sub> (mm)	820
	4.22	Fork dimensions	s/e/l (mm)	60 / 180 / 1070 (1150)
	4.25	Width overall forks	b <sub>5</sub> (mm)	570 / 695
	4.32	Ground clearance, centre of wheelbase	m <sub>2</sub> (mm)	31
	4.34.1	Aisle width for pallets 1000 × 1200 crossways	A <sub>st</sub> (mm)	2450
4.34.2	Aisle width for pallets 800×1200 crossways	A <sub>st</sub> (mm)	2420	
4.35	Turning radius	W <sub>a</sub> (mm)	1575	
Performance data	5.1	Travel speed, laden/unladen	km/h	5.8 / 6.0
	5.2	Lift speed, laden/unladen	km/h	0.11 / 0.15
	5.3	Lowering speed, laden/unladen	m/s	0.15 / 0.13
	5.7	Gradeability, laden/unladen	%	8 / 15
	5.10	Service brake		Electromagnetic
Electric engine	6.4	Battery voltage,nominal capacity Ks	V/Ah	24 / 240
	6.5	Battery weight	kg	220
		Battery compartment dimensions, l/w/h	mm	625 / 254 / 500
10.7	Sound pressure level at the driver's seat	dB (A)	65	

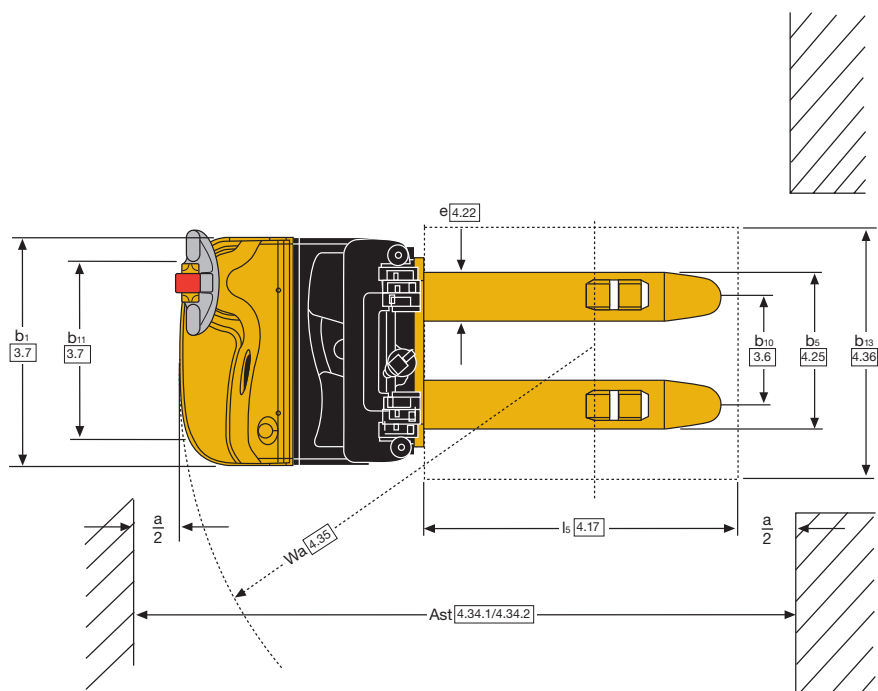
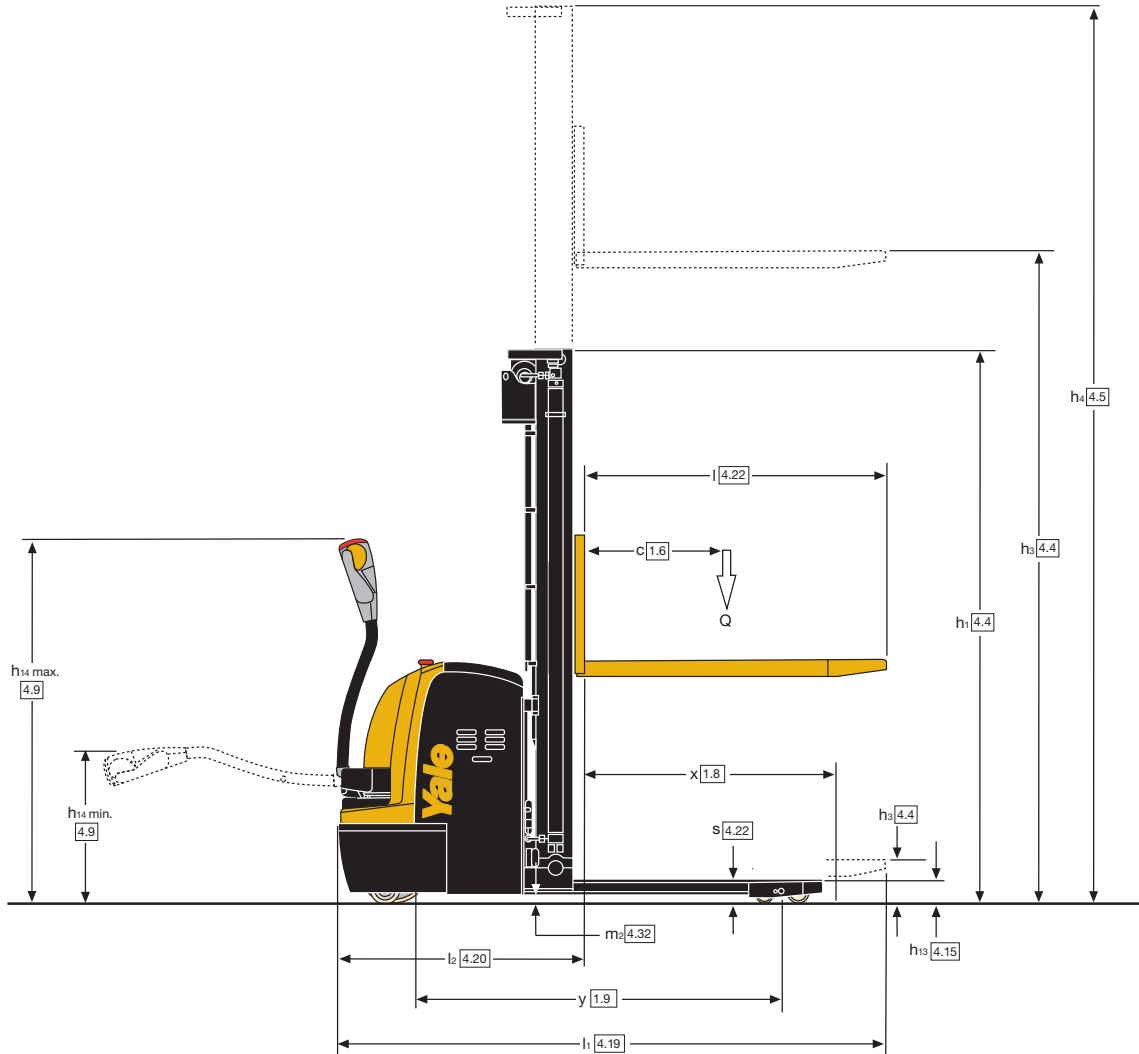
### Load Center



### Load Capacity



# Truck Dimensions



MS15UX





**Yale Europe Materials Handling**

Centennial House  
Frimley Business Park  
Frimley, Surrey GU16 7SG  
United Kingdom

Tel: +44 (0) 1276 538500  
Fax: +44 (0) 1276 538559

**[www.yale.com](http://www.yale.com)**

Publication part no. 220990870 Rev.01 Printed in The Netherlands (0420HG) EN.  
HYSTER-YALE UK LIMITED trading as Yale Europe Materials Handling.  
Specification is subject to change without notice.

Yale, VERACITOR and  are registered trademarks. "PEOPLE, PRODUCTS, PRODUCTIVITY",  
PREMIER, Hi-Vis, and CSS are trademarks in the United States and certain other jurisdictions.  
MATERIALS HANDLING CENTRAL and MATERIAL HANDLING CENTRAL are Service Marks in  
the United States and certain other jurisdictions.  is a Registered Copyright.  
© Yale Europe Materials Handling 2020. All rights reserved. Truck shown with optional equipment.  
Country of Registration: England and Wales. Company Registration Number: 02636775

