

MPC series

1,500kg

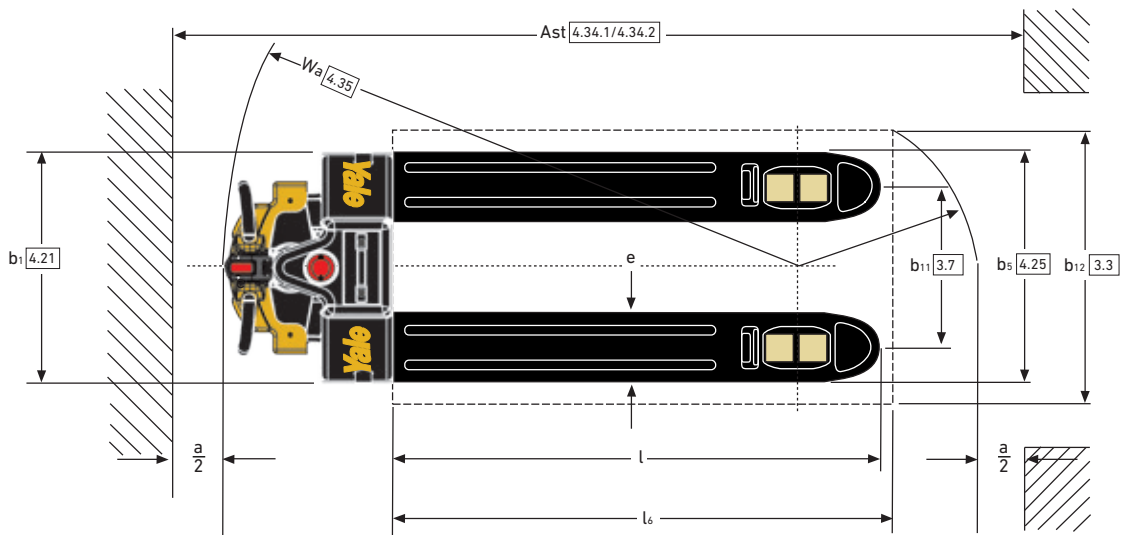
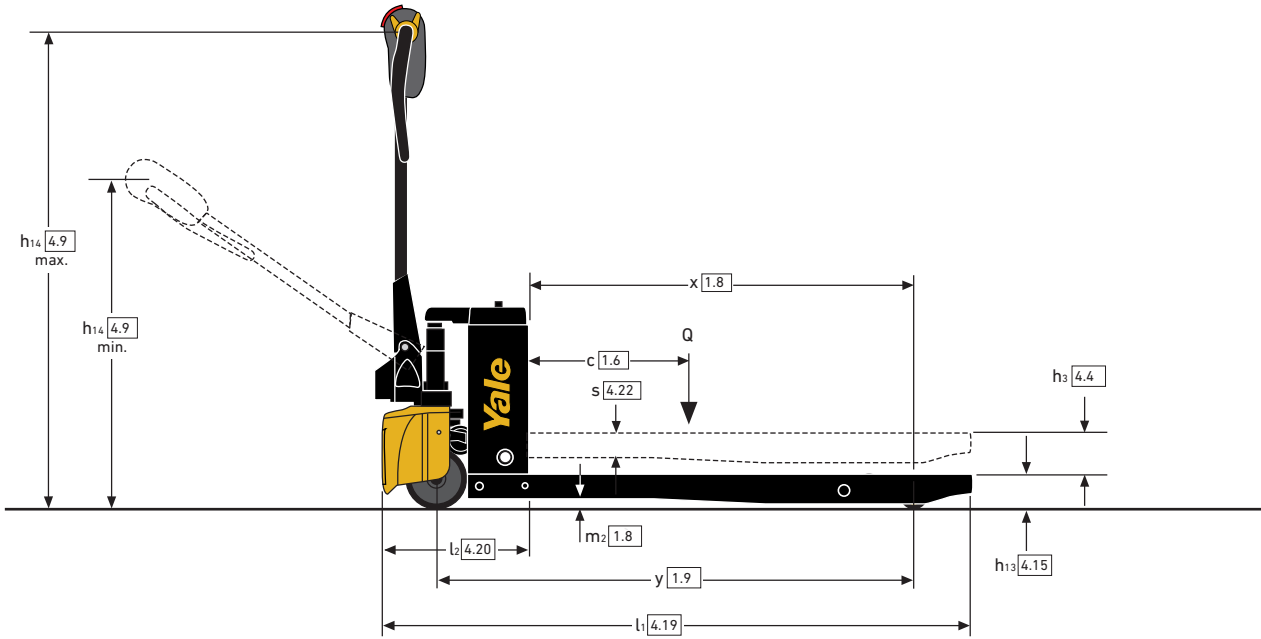
Compact pallet truck



SPECIFICATION SHEET

Models: MPC15

Truck Dimensions



- Lightweight Li-ion battery
- Facilitates opportunity charging
- Fast charger only available with 15Ahr battery option
- Tandem load wheels are an option
- LCD screen
- Battery indicator with hour meter
- Error code display
- Recharge alert
- Multifunction tiller head
- Forward/reverse butterfly switch.
- Horn
- Up-right drive
- Creep-speed

VDI 2198 – General Specifications

Distinguishing mark	1.1	Manufacturer (abbreviation)		Yale
	1.2	Manufacturer's type designation		MPC15
	1.3	Drive: electric (battery or mains), diesel, petrol, fuel gas		Battery
	1.4	Operator type: hand, pedestrian, standing, seated, order-picker		Pedestrian
	1.5	Rated capacity/Rated load	Q (kg)	1500
	1.6	Load centre distance	c (mm)	600
	1.8	Load distance, centre of drive axle to fork	x (mm)	952 / 1022
	1.9	Wheelbase	y (mm)	1197 / 1267
	Weights	2.1	Service weight	(kg)
2.2		Axle loading, laden front/rear	(kg)	1134 / 486
2.3		Axle loading, unladen front/rear	(kg)	88 / 32
Tyres/chassis	3.1	Tyres: polyurethane, tophane, NDIIthane, front/rear		Polyurethane / Polyurethane
	3.2	Tyre size, front	ø (mm x mm)	ø 140* 55
	3.3	Tyre size, rear	ø (mm x mm)	80* 93 (single wheel) / 80* 70 (double wheel)
	3.4	Additional wheels (dimensions)	ø (mm x mm)	NA
	3.5	Wheels, number front/rear (x = driven wheels)		1X / 2 / 2X / 4
	3.6	Tread, front	b10 (mm)	NA
	3.7	Tread, rear	b11 (mm)	385 / 520
Dimensions	4.4	Lift	h3 (mm)	115
	4.9	Height of tiller arm in driving position min./max.	h14 (mm)	820 / 1150
	4.15	Height, lowered	h13 (mm)	82 ± 2
	4.19	Overall length	l1 (mm)	1552 / 1622
	4.20	Length to face of forks	l2 (mm)	1150 / 1220
	4.21	Overall width	b1/b3 (mm)	550 / 685
	4.22	Fork dimensions	s/e/l (mm)	58 / 160 / 1150 (1220)
	4.25	Outside fork width	b5 (mm)	550 / 685
	4.32	Ground clearance, centre of wheelbase	m2 (mm)	22
	4.33	Load dimension b12 x l6 crossways	b12 x l6 (mm)	1000 x 1200
	4.34.1	Aisle width for pallets 1000mm x 1200mm crossways	Ast (mm)	1718
	4.34.2	Aisle width for pallets 800mm x 1200mm lengthwise	Ast (mm)	1687
	4.35	Turning radius	Wa (mm)	1353 / 1426
Performance Data	5.1	Travel speed, laden/unladen	km/h	4.0 / 4.5
	5.1.1	Travel speed, laden/unladen, backwards	km/h	4.0 / 5.0
	5.2	Lift speed, laden/unladen	m/s	0.018 / 0.023
	5.3	Lowering speed, laden/unladen	m/s	0.056 / 0.046
	5.7	Gradeability, laden/unladen	%	6% / 20%
	5.8	Max. gradeability, laden/unladen	%	6% / 20%
	5.10	Service brake		Electric
Electric Engine	6.1	Drive motor S2 60 minute rating	kW	0.75 KW
	6.2	Lift motor, S3 15% rating	kW	0.5 KW
	6.3	Battery according to DIN 43531/35/36 A,B,C, no		no
	6.4	Battery voltage/nominal capacity K5	V / Ah	48V10 Ah / 48V15Ah
	6.5	Battery weight	kg	4.5 / 5.9
	6.6	Energy consumption according to VDI cycle	kWh/h @ no. of cycles	0.42 kWh/h
8.1	Type of drive unit		Electric	
10.7	Sound pressure level at the driver's seat according to EN 12053	dB (A)	69dB	

All values are nominal values and they are subject to tolerances. For further information, please contact the manufacturer.

Yale products might be subject to change without notice.

Lift trucks illustrated may feature optional equipment.

Values may vary with alternative configurations.

MPC series

Models: MPC15



Yale Europe Materials Handling

Centennial House, Frimley Business Park,
Frimley, Surrey GU16 7SG
United Kingdom

Tel: +44 (0) 1276 538500

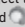

Fax: +44 (0) 1276 538559

www.yale.com

Publication part no. 220991276 Rev.00 Printed in The Netherlands (1220HG) EN.
HYSTER-YALE UK LIMITED trading as Yale Europe Materials Handling.

Safety: This truck conforms to the current EU requirements.

Specification is subject to change without notice.

Yale, VERACITOR and  are registered trademarks. "PEOPLE, PRODUCTS, PRODUCTIVITY", PREMIER, Hi-Vis, and CSS are trademarks in the United States and certain other jurisdictions. MATERIALS HANDLING CENTRAL and MATERIAL HANDLING CENTRAL are Service Marks in the United States and certain other jurisdictions.  is a Registered Copyright. © Yale Europe Materials Handling 2020. All rights reserved. Truck shown with optional equipment. Country of Registration: England and Wales. Company Registration Number: 02636775

