

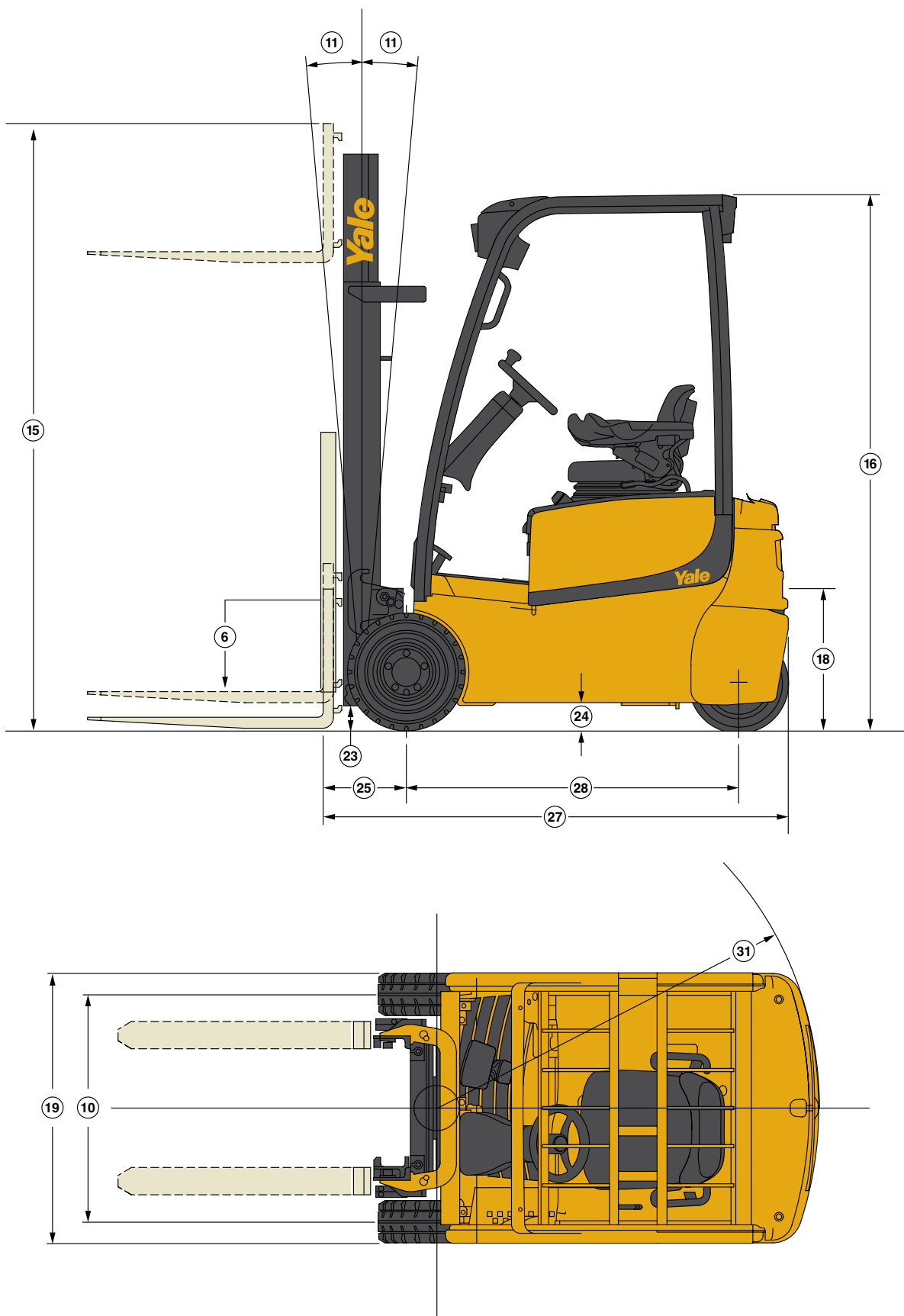


ERP 030-040VT

SPEC SHEET

3-wheel pneumatic tire
electric counterbalanced forklift

3,000-4,000 lbs.



Circled truck dimensions correspond to the line numbers in the General Specifications chart. Dimensions are listed in inches (millimeters).

GENERAL SPECIFICATIONS - ERP030VT

GENERAL	1	Manufacturer			Yale®		
	2	Model designation			ERP030VT		
	3	Power			Electric		
	4	Operation			Sit		
	5	Rated capacity		lb. (kg)	3000 (1361)		
	6	Load center		in. (mm)	24 (610)		
TIRES	7	Tire type - cushion, solid, pneumatic, etc.		Drive/steer	Pneumatic shaped solid / pneumatic shaped solid		
	8	Tire size		Drive/steer	in.	18 x 7-8 / 15 x 4.5-8	
	9	Wheels - number	X=Driven	Drive/steer		2X / 2	
	10	Tread	Ctr. of tires	Drive/steer	in. (mm)	35 / 7 (889 / 179)	
DIMENSIONS	11	Mast tilt	Std opt opt		degrees	5F / 5B 10F / 5B 5F / 4B	
	12	Mast - lowered height	Std mast		in. (mm)	78 (1980)	
	13	Free lift - top of fork	Std 2-stg limited free lift mast		in. (mm)	5 (140)	
			Opt 2-stg full free lift mast with/without LBR		in. (mm)	29 / 55 (750 / 1405)	
	14	Lift height - top of fork	Std 2-stg limited free lift mast		in. (mm)	119 (3032)	
	15	Mast - extended height	Std mast with/without LBR		in. (mm)	168 / 142 (4262 / 3606)	
	16	Overhead guard height	Std/flat plate/drive in rack		in. (mm)	81.5 / 77.9 / 81.5 (2070 / 1979 / 2070)	
	17	SIP to bottom std OHG	Nominal	Std/susp/swivel	in. (mm)	38.9 / 39.2 / 38.7 (989 / 997 / 985)	
	18	Tow pin height	Vertical center of pin		in. (mm)	21.2 (540)	
	19	Overall width			in. (mm)	41.3 (1050)	
	20	Forks	Thickness x width x length		in. (mm)	1.6 x 3.9 x 42 (40 x 100 x 1067)	
	21	Standard carriage width			in. (mm)	38.5 (977)	
	22	Floor to top of battery rollers			in. (mm)	7 (178)	
	23	Ground clearance	Lowest point	NL/RL	in. (mm)	2.8 / 2.8 (70 / 70)	
			Center of truck	NL/RL	in. (mm)	3.7 / 3.5 (95 / 90)	
	25	Load distance	Center of wheel to face of forks		in. (mm)	12.6 (321)	
	26	Battery compartment	Height	Std/battery rollers/tall	in. (mm)	23.9 / 25.4 / 26.7 (607 / 645 / 677)	
			Width		in. (mm)	39 (990)	
			Length		in. (mm)	21.5 (546)	
	27	Length to face of forks	Chassis length		in. (mm)	71.2 (1808)	
	28	Wheelbase			in. (mm)	50.8 (1290)	
29	Right angle stack			in. (mm)	118.9 (3021)		
30	Equal aisle	90° Intersecting aisle		in. (mm)	69.3 (1759)		
31	Outside turning radius			in. (mm)	58.3 (1481)		
WT.	32	Truck weight	Without battery	NL	lb. (kg)	5100 (2313)	
	33	Axle loading - drive	Static with max. wt. battery	NL/RL	lb. (kg)	3553 / 8718 (1612 / 3954)	
	34	Axle loading - steer	Static with max. wt. battery	NL/RL	lb. (kg)	3743 / 1578 (1698 / 716)	
PERFORMANCE	35	Voltage			36	48	
	36	Travel speed	Extended shift OFF	NL/RL	mph (km/h)	9.8 / 9.8 (15.7 / 15.7)	9.8 / 9.8 (15.7 / 15.7)
			Extended shift ON	NL/RL	mph (km/h)	8.7 / 8.7 (14.0 / 14.0)	8.7 / 8.7 (14.0 / 14.0)
	37	Lift speed	Std 2-stg LFL mast	NL/RL	ft/min (m/sec)	128 / 77 (0.65 / 0.39)	134 / 94 (0.68 / 0.48)
			Opt 2-stg FFL mast	NL/RL	ft/min (m/sec)	114 / 75 (0.58 / 0.38)	120 / 89 (0.61 / 0.45)
			Opt 3-stg FFL mast	NL/RL	ft/min (m/sec)	114 / 75 (0.58 / 0.38)	120 / 89 (0.61 / 0.45)
			Opt 4-stg FFL mast	NL/RL	ft/min (m/sec)	120 / 77 (0.61 / 0.39)	126 / 91 (0.64 / 0.46)
	38	Lower speed	Std 2-stg LFL mast	NL/RL	ft/min (m/sec)	93 / 100 (0.47 / 0.51)	
			Opt 2-stg FFL mast	NL/RL	ft/min (m/sec)	77 / 91 (0.39 / 0.46)	
			Opt 3-stg FFL mast	NL/RL	ft/min (m/sec)	81 / 91 (0.41 / 0.46)	
			Opt 4-stg FFL mast	NL/RL	ft/min (m/sec)	94 / 98 (0.48 / 0.50)	
	39	Gradability	5 Minute rating	NL/RL	%	38.4 / 26.5	34 / 25
			60 Minute rating	NL/RL	%	6.0 / 4.4	9.9 / 6.5
40	Drawbar pull	5 Minute rating	NL/RL	lbf	2719 / 2714 (12096 / 12072)	2489 / 2437 (11072 / 10840)	
		60 Minute rating	NL/RL	lbf	458 / 462 (2038 / 2054)	744 / 691 (3309 / 3074)	
41	Brake	Method of control	Service/parking		Hydraulic / mechanical		
		Method of operation	Service/parking		Foot / automatic		
ELECTRIC	42	Battery	Type		Lead acid Thin Plate Pure Lead* Lithium-ion*		
	43	Traction motors (Dual)	60 Minute rating (each)	hp (kW)	6.4 (4.8)	6.7 (5.0)	
	44	Pump motor	15 Minute rating	hp (kW)	16.1 (12.0)	16.1 (12.0)	
	45	Traction motors	Type/control method		AC / transistor		
	46	Pump motor	Type/control method		AC / transistor		
47	Number of speeds	Traction/pump		Infinitely variable / infinitely variable			
OTHER	48	Step height			in. (mm)	19.1 (484)	
	49	Floor height	Lowest point		in. (mm)	21.9 (557)	
	50	Attachment relief pressure	Mech levers/mini levers		psi (bar)	2611 / 2248 (180 / 155)	
	51	Auxiliary oil flow	3rd and 4th function		gal/min (l/min)	5.3 / 10.6 (20 / 40)	
	52	Sound level	Measured per ANSI B56.11.5		dB (A)	69	

*Optional with Yale Power Key

Above specifications, unless otherwise listed, are for a standard truck without optional equipment. Right angle stack and equal intersecting aisle dimensions provided with a 48" long and 40" wide pallet load, allowing zero clearance.

GENERAL SPECIFICATIONS - ERP035VT

GENERAL	1	Manufacturer			Yale®		
	2	Model designation			ERP035VT		
	3	Power			Electric		
	4	Operation			Sit		
	5	Rated capacity		lb. (kg)	3500 (1588)		
	6	Load center		in. (mm)	24 (610)		
TIRES	7	Tire type - cushion, solid, pneumatic, etc.		Drive/steer	Pneumatic shaped solid / pneumatic shaped solid		
	8	Tire size		Drive/steer	in. 18 x 7-8 / 15 x 4.5-8		
	9	Wheels - number	X=Driven	Drive/steer	2X / 2		
	10	Tread	Ctr. of tires	Drive/steer	in. (mm) 35 / 7 (889 / 179)		
DIMENSIONS	11	Mast tilt	Std opt opt		degrees	5F / 5B 10F / 5B 5F / 4B	
	12	Mast - lowered height	Std mast		in. (mm)	78 (1980)	
	13	Free lift - top of fork	Std 2-stg limited free lift mast		in. (mm)	5 (140)	
			Opt 2-stg full free lift mast with/without LBR		in. (mm)	29 / 55 (750 / 1405)	
	14	Lift height - top of fork	Std 2-stg limited free lift mast		in. (mm)	119 (3032)	
	15	Mast - extended height	Std mast with/without LBR		in. (mm)	168 / 142 (4262 / 3606)	
	16	Overhead guard height	Std/flat plate/drive in rack		in. (mm)	81.5 / 77.9 / 81.5 (2070 / 1979 / 2070)	
	17	SIP to bottom std OHG	Nominal	Std/susp/swivel	in. (mm)	38.9 / 39.2 / 38.7 (989 / 997 / 985)	
	18	Tow pin height	Vertical center of pin		in. (mm)	21.2 (540)	
	19	Overall width			in. (mm)	41.3 (1050)	
	20	Forks	Thickness x width x length		in. (mm)	1.6 x 3.9 x 42 (40 x 100 x 1067)	
	21	Standard carriage width			in. (mm)	38.5 (977)	
	22	Floor to top of battery rollers			in. (mm)	7 (178)	
	23	Ground clearance	Lowest point	NL/RL	in. (mm)	2.8 / 2.8 (70 / 70)	
			Center of truck	NL/RL	in. (mm)	3.7 / 3.5 (95 / 90)	
	24	Load distance	Center of wheel to face of forks		in. (mm)	12.6 (321)	
	26	Battery compartment	Height	Std/battery rollers/tall	in. (mm)	23.9 / 25.4 / 26.7 (607 / 645 / 677)	
			Width		in. (mm)	39 (990)	
			Length		in. (mm)	25.3 (642)	
	27	Length to face of forks	Chassis length		in. (mm)	74.9 (1903)	
	28	Wheelbase			in. (mm)	54.6 (1386)	
29	Right angle stack			in. (mm)	122.7 (3117)		
30	Equal aisle	90° Intersecting aisle		in. (mm)	70.6 (1793)		
31	Outside turning radius			in. (mm)	62.1 (1577)		
WT.	32	Truck weight	Without battery	NL	lb. (kg)	5230 (2372)	
	33	Axle loading - drive	Static with max. wt. battery	NL/RL	lb. (kg)	3704 / 9557 (1680 / 4335)	
	34	Axle loading - steer	Static with max. wt. battery	NL/RL	lb. (kg)	3917 / 1565 (1777 / 710)	
PERFORMANCE	35	Voltage			36	48	
	36	Travel speed	Extended shift OFF	NL/RL	mph (km/h)	9.8 / 9.8 (15.7 / 15.7)	9.8 / 9.8 (15.7 / 15.7)
			Extended shift ON	NL/RL	mph (km/h)	8.7 / 8.7 (14.0 / 14.0)	8.7 / 8.7 (14.0 / 14.0)
	37	Lift speed	Std 2-stg LFL mast	NL/RL	ft/min (m/sec)	128 / 71 (0.65 / 0.36)	134 / 94 (0.68 / 0.48)
			Opt 2-stg FFL mast	NL/RL	ft/min (m/sec)	114 / 75 (0.58 / 0.38)	120 / 85 (0.61 / 0.43)
			Opt 3-stg FFL mast	NL/RL	ft/min (m/sec)	114 / 75 (0.58 / 0.38)	120 / 85 (0.61 / 0.43)
			Opt 4-stg FFL mast	NL/RL	ft/min (m/sec)	120 / 77 (0.61 / 0.39)	126 / 89 (0.64 / 0.45)
	38	Lower speed	Std 2-stg LFL mast	NL/RL	ft/min (m/sec)	93 / 100 (0.47 / 0.51)	
			Opt 2-stg FFL mast	NL/RL	ft/min (m/sec)	77 / 91 (0.39 / 0.46)	
			Opt 3-stg FFL mast	NL/RL	ft/min (m/sec)	81 / 91 (0.41 / 0.46)	
			Opt 4-stg FFL mast	NL/RL	ft/min (m/sec)	94 / 98 (0.48 / 0.50)	
	39	Gradability	5 Minute rating	NL/RL	%	36.2 / 24.3	35.0 / 25.0
			60 Minute rating	NL/RL	%	5.7 / 4.0	9.2 / 5.9
40	Drawbar pull	5 Minute rating	NL/RL	lbf	2719 / 2712 (12093 / 12065)	2479 / 2417 (11027 / 10751)	
		60 Minute rating	NL/RL	lbf	457 / 460 (2035 / 2047)	733 / 672 (3261 / 2989)	
41	Brake	Method of control	Service/parking		Hydraulic / mechanical		
		Method of operation	Service/parking		Foot / automatic		
42	Battery	Type		Lead acid Thin Plate Pure Lead* Lithium-ion*			
43	Traction motors (Dual)	60 Minute rating (each)		hp (kW)	6.4 (4.8)	6.7 (5.0)	
44	Pump motor	15 Minute rating		hp (kW)	16.1 (12.0)	16.1 (12.0)	
45	Traction motors	Type/control method		Ac / transistor			
46	Pump motor	Type/control method		Ac / transistor			
47	Number of speeds	Traction/pump		Infinitely variable / infinitely variable			
OTHER	48	Step height			in. (mm)	19.1 (484)	
	49	Floor height	Lowest point		in. (mm)	21.9 (557)	
	50	Attachment relief pressure	Mech levers/mini levers		psi (bar)	2611 / 2248 (180 / 155)	
	51	Auxiliary oil flow	3rd and 4th function		gal/min (l/min)	5.3 / 10.6 (20 / 40)	
	52	Sound level	Measured per ANSI B56.11.5		dB (A)	69	69

*Optional with Yale Power Key

Above specifications, unless otherwise listed, are for a standard truck without optional equipment.

Right angle stack and equal intersecting aisle dimensions provided with a 48" long and 40" wide pallet load, allowing zero clearance.

GENERAL SPECIFICATIONS - ERP040VT

GENERAL	1	Manufacturer			Yale®		
	2	Model designation			ERP040VT		
	3	Power			Electric		
	4	Operation			Sit		
	5	Rated capacity	lb. (kg)		4000 (1814)		
	6	Load center	in. (mm)		24 (610)		
TIRES	7	Tire type - cushion, solid, pneumatic, etc.		Drive/steer	Pneumatic shaped solid / pneumatic shaped solid		
	8	Tire size		Drive/steer	in. 200 / 50-10 / 15 x 4.5-8		
	9	Wheels - number	X=Driven	Drive/steer	2X / 2		
	10	Tread	Ctr. of tires	Drive/steer	in. (mm) 35.7 / 7 (908 / 179)		
DIMENSIONS	11	Mast tilt	Std opt opt		degrees	5F / 5B 10F / 5B 5F / 4B	
	12	Mast - lowered height	Std mast		in. (mm)	78 (1980)	
	13	Free lift - top of fork	Std 2-stg limited free lift mast		in. (mm)	5 (140)	
			Opt 2-stg full free lift mast with/without LBR		in. (mm)	29 / 55 (750 / 1405)	
	14	Lift height - top of fork	Std 2-stg limited free lift mast		in. (mm)	119 (3032)	
	15	Mast - extended height	Std mast with/without LBR		in. (mm)	168 / 142 (4262 / 3606)	
	16	Overhead guard height	Std/flat plate/drive in rack		in. (mm)	81.5 / 77.9 / 81.5 (2070 / 1979 / 2070)	
	17	SIP to bottom std OHG	Nominal	Std/susp/swivel	in. (mm)	38.9 / 39.2 / 38.7 (989 / 997 / 985)	
	18	Tow pin height	Vertical center of pin		in. (mm)	21.2 (540)	
	19	Overall width			in. (mm)	43.9 (1116)	
	20	Forks	Thickness x width x length		in. (mm)	1.6 x 3.9 x 42 (40 x 100 x 1067)	
	21	Standard carriage width			in. (mm)	38.5 (977)	
	22	Floor to top of battery rollers			in. (mm)	7 (178)	
	23	Ground clearance	Lowest point	NL/RL	in. (mm)	2.8 / 2.8 (70 / 70)	
			Center of truck	NL/RL	in. (mm)	3.7 / 3.5 (95 / 90)	
	24	Load distance	Center of wheel to face of forks		in. (mm)	12.6 (321)	
	26	Battery compartment	Height	Std/battery rollers/tall	in. (mm)	23.9 / 25.4 / 26.7 (607 / 645 / 677)	
			Width		in. (mm)	39 (990)	
			Length		in. (mm)	25.3 (642)	
	27	Length to face of forks	Chassis length		in. (mm)	74.9 (1903)	
	28	Wheelbase			in. (mm)	54.6 (1386)	
29	Right angle stack			in. (mm)	122.7 (3117)		
30	Equal aisle	90° Intersecting aisle		in. (mm)	71.5 (1816)		
31	Outside turning radius			in. (mm)	62.1 (1577)		
WT.	32	Truck weight	Without battery	NL	lb. (kg)	5270 (2390)	
	33	Axle loading - drive	Static with max. wt. battery	NL/RL	lb. (kg)	3748 / 10437 (1700 / 4734)	
	34	Axle loading - steer	Static with max. wt. battery	NL/RL	lb. (kg)	3917 / 1229 (1777 / 557)	
PERFORMANCE	35	Voltage			36	48	
	36	Travel speed	Extended shift OFF	NL/RL	mph (km/h)	9.8 / 9.8 (15.7 / 15.7)	9.8 / 9.8 (15.7 / 15.7)
			Extended shift ON	NL/RL	mph (km/h)	8.7 / 8.7 (14.0 / 14.0)	8.7 / 8.7 (14.0 / 14.0)
	37	Lift speed	Std 2-stg LFL mast	NL/RL	ft/min (m/sec)	128 / 67 (0.65 / 0.34)	134 / 83 (0.68 / 0.42)
			Opt 2-stg FFL mast	NL/RL	ft/min (m/sec)	114 / 65 (0.58 / 0.33)	120 / 81 (0.61 / 0.41)
			Opt 3-stg FFL mast	NL/RL	ft/min (m/sec)	114 / 65 (0.58 / 0.33)	120 / 81 (0.61 / 0.41)
			Opt 4-stg FFL mast	NL/RL	ft/min (m/sec)	120 / 71 (0.61 / 0.36)	126 / 89 (0.64 / 0.45)
	38	Lower speed	Std 2-stg LFL mast	NL/RL	ft/min (m/sec)	93 / 100 (0.47 / 0.51)	
			Opt 2-stg FFL mast	NL/RL	ft/min (m/sec)	77 / 93 (0.39 / 0.47)	
			Opt 3-stg FFL mast	NL/RL	ft/min (m/sec)	81 / 93 (0.41 / 0.47)	
			Opt 4-stg FFL mast	NL/RL	ft/min (m/sec)	94 / 98 (0.48 / 0.50)	
	39	Gradability	5 Minute rating	NL/RL	%	36.0 / 23.6	34.0 / 21.0
			60 Minute rating	NL/RL	%	5.7 / 3.9	9.2 / 5.6
40	Drawbar pull	5 Minute rating	NL/RL	lbf	2719 / 2712 (12093 / 12062)	2479 / 2409 (11027 / 10716)	
		60 Minute rating	NL/RL	lbf	457 / 460 (2034 / 2044)	733 / 663 (3261 / 2949)	
41	Brake	Method of control	Service/parking		Hydraulic / mechanical		
		Method of operation	Service/parking		Foot / automatic		
42	Battery	Type		Lead acid Thin Plate Pure Lead* Lithium-ion*			
43	Traction motors (Dual)	60 Minute rating (each)		hp (kW)	6.4 (4.8)	6.7 (5.0)	
44	Pump motor	15 Minute rating		hp (kW)	16.1 (12.0)	16.1 (12.0)	
45	Traction motors	Type/control method		Ac / transistor			
46	Pump motor	Type/control method		Ac / transistor			
47	Number of speeds	Traction/pump		Infinitely variable / infinitely variable			
OTHER	48	Step height			in. (mm)	19.1 (484)	
	49	Floor height	Lowest point		in. (mm)	21.9 (557)	
	50	Attachment relief pressure	Mech levers/mini levers		psi (bar)	2611 / 2248 (180 / 155)	
	51	Auxiliary oil flow	3rd and 4th function		gal/min (l/min)	5.3 / 10.6 (20 / 40)	
	52	Sound level	Measured per ANSI B56.11.5		dB (A)	69	69

*Optional with Yale Power Key

Above specifications, unless otherwise listed, are for a standard truck without optional equipment.

Right angle stack and equal intersecting aisle dimensions provided with a 48" long and 40" wide pallet load, allowing zero clearance.

ERP030VT WITH 21.5" LONG COMPARTMENT

Battery compartment dimensions				Battery dimensions and specifications										
Compartment type	Width	Length	Height	"X"		"Y"		"Z"	Volts	No. of cells	Plates per cell	Max capacity 6 hour rate	Weight	
				Min	Max	Min	Max	Max					Min	Max
	in. (mm)			in. (mm)					amp hr (kwh)		lb. (kg)			
With auxiliary CTWT platform			23.9 (607)	38.2 (970)	38.8 (986)	20 (508)	21.2 (539)	23.4 (594)	36	18	17	880 (30.6)	1700 (771)	2200 (998)
								48	24	13	660 (30.5)			
With battery rollers	39 (990)	21.5 (546)	25.4 (645)	38.2 (970)	38.8 (986)	20 (508)	21.2 (539)	24.9 (632)	36	18	17	880 (30.6)	1700 (771)	2200 (998)
								48	24	13	660 (30.5)			
Without auxiliary CTWT platform			26.7 (677)	38.2 (970)	38.8 (986)	20 (508)	21.2 (539)	26.1 (664)	36	18	17	880 (30.6)	2000 (907)	2500 (1134)
								48	24	13	660 (30.5)			

ERP035-040VT WITH 25.3" LONG COMPARTMENT

Battery compartment dimensions				Battery dimensions and specifications										
Compartment type	Width	Length	Height	"X"		"Y"		"Z"	Volts	No. of cells	Plates per cell	Max capacity 6 hour rate	Weight	
				Min	Max	Min	Max	Max					Min	Max
	in. (mm)			in. (mm)					amp hr (kwh)		lb. (kg)			
With auxiliary CTWT platform			23.9 (607)	38.2 (970)	38.8 (986)	23.5 (597)	25 (635)	23.4 (594)	36	18	21	1100 (38.2)	2100 (953)	2400 (1089)
								48	24	15	770 (35.8)			
With battery rollers	39 (990)	25.3 (642)	25.4 (645)	38.2 (970)	38.8 (986)	23.5 (597)	25 (635)	24.9 (632)	36	18	21	1100 (38.2)	2100 (953)	2400 (1089)
								48	24	15	770 (35.8)			
Without auxiliary CTWT platform			26.7 (677)	38.2 (970)	38.8 (986)	23.5 (597)	25 (635)	26.1 (664)	36	18	21	1100 (38.2)	2500 (1134)	2800 (1270)
								48	24	15	770 (35.8)			

Battery type: "EO" (without cover)

Battery amp hr (kwh) capacity is max allowable per UL

Commercially available lead acid or lithium-ion batteries may not necessarily reach these max limits

Battery compartment length is measured front to rear. Battery compartment width is measured across the truck

Battery notes - conventional charging (option BCSSBC)

Battery connector: 36 volt - Gray SB®350 (Anderson Power Products® P/N 6320G1 or equivalent)

48 volt - Blue SB®350 (Anderson Power Products® P/N 6321G1 or equivalent)

Battery lead: length 20" (508 mm), position "B", 2/0 AWG

Battery notes - rapid / fast charging (option BARFBC)

Battery connector: requires dual positive / negative cabling terminating in (2) female EBC-320 DIN connectors

(Anderson Power Products® P/N A32503-0009 or equivalent)

Each individual DIN connector to include 1 red conductor to (+) and 1 black conductor to (-)

Battery lead: length 23" (585 mm), position "B", minimum cable Size 3/0 AWG

MAST DIMENSIONS - ERP030-040VT

Maximum fork height (TOF) +	Overall lowered ht.	Overall extended height w/ load -backrest	Overall extended height w/o load backrest	Free-lift (TOF) w/ load backrest	Free-lift (TOF) w/o load backrest
in. (mm)	in. (mm)	in. (mm)	in. (mm)	in. (mm)	in. (mm)
2-STAGE LIMITED FREE-LIFT (LFL) MAST					
119 (3032)	78 (1980)	168 (4262)	142 (3606)	5 (140)	5 (140)
127 (3232)	82 (2080)	176 (4462)	150 (3806)	5 (140)	5 (140)
2-STAGE FULL FREE-LIFT (FFL) MAST					
118 (3018)	78 (1980)	168 (4262)	143 (3613)	29 (750)	55 (1405)
126 (3218)	82 (2080)	176 (4462)	151 (3813)	33 (850)	59 (1505)
138 (3518)	88 (2230)	188 (4768)	162 (4113)	39 (1000)	65 (1655)
3-STAGE FULL FREE-LIFT (FFL) MAST					
175 (4450)	78 (1980)	224 (5025)	198 (5025)	29 (750)	55 (1405)
187 (4750)	82 (2080)	236 (5325)	210 (5325)	33 (850)	59 (1505)
192 (4900)	84 (2130)	238 (5375)	212 (5375)	35 (900)	61 (1555)
198 (5050)	88 (2230)	248 (5625)	222 (5625)	39 (1000)	65 (1655)
216 (5500)	94 (2380)	265 (6075)	240 (6075)	45 (1150)	71 (1805)
4-STAGE FULL FREE-LIFT (FFL) MAST					
241 (6121)	84 (2121)	291 (7380)	265 (6721)	34 (873)	59 (1511)
259 (6578)	90 (2273)	309 (7837)	283 (7179)	40 (1025)	65 (1663)

FEATURES LIST

PERFORMANCE	STD	OPT
36-Volt electrical system	●	
AC traction and pump motors (completely brushless)	●	
Transistor drive and pump control	●	
Advanced VSM (Vehicle System Manager)	●	
Progressive thermal management system	●	
Dual drive motors	●	
Wet disc brakes	●	
"Zero turn radius" turning	●	
48-Volt electrical system		●
Reverse Speed System		●
DRIVE	STD	OPT
Pneumatic-shaped solid drive tire and steer tire	●	
Rubber cushion smooth tread drive tire and steer tire		●
LIFT	STD	OPT
2-stage limited free lift (LFL) mast with maximum fork height of 119"	●	
5° forward / 5° back mast tilt	●	
Available with 2-stage limited free lift (LFL) and 2, 3 or 4-stage full free lift (FFL) masts		●
Mast tilt option – 10° forward / 5° back		●
Mast tilt option – 5° forward / 4° back		●
Return to set tilt		●
Load weight indicator		●
HANDLING	STD	OPT
38.5" wide class II carriage with 48" high load backrest extension	●	
42" (1067mm) long forks	●	
Carriage with integral sideshift		●
Carriage with integral sideshifting fork positioner		●
ERGONOMICS	STD	OPT
Foot Directional Control Pedal	●	
12" steering wheel with integral spinner knob and tilt column	●	
Black, non-cinch seat belt with Emergency Locking Retractor (ELR)	●	
Power assist braking	●	
Auto Deceleration System	●	
Regenerative braking	●	
Multifunction display		
– Battery state of charge with low battery lift interrupt		
– Hour meter	●	
– Performance mode indicator		
– Fault indicator		
– 4 Operator selectable, programmable performance modes		
Easy ingress / egress with low step height and contoured handhold	●	
Operator convenience station	●	
Adjustable tilt steering column with low profile cowl	●	
Cushioned floor mat	●	
Seatside power disconnect button	●	
Operator Presence System (OPS)	●	
Vinyl non-suspension seat	●	
Hydrostatic steer system	●	
Automatic park brake	●	
Accutouch hydraulic mini-levers		●
Non-suspension cloth seat		●
Full-suspension seat (vinyl or cloth)		●
Full-suspension swivel seat (vinyl or cloth)		●
Seatside directional control		●
Telescopic steering column with tilt memory		●
Key switch controlled lights		●
Rear drive handle with horn button		●
Mirrors – dual side view – LH & RH OHG side mounted		●
Mirror – single panoramic – OHG mounted		●
Synchronous steering		●

ERGONOMICS CONTINUED	STD	OPT
Red, high-visibility, non-cinch seat belt with or without start interlock		●
Low mount display		●
OPERATION	STD	OPT
Battery compartment size		
– 21.5" (ERP030VT)	●	
– 25.3" (ERP035-40VT)		
Lift out battery extraction	●	
Standard construction	●	
UL classification type "E"	●	
Key switch start	●	
81.5" grid style overhead guard	●	
3-function hydraulic control valve with seatside mechanical levers	●	
On-demand hydrostatic power-assist steering	●	
Fully integrated CANbus communication	●	
Static strap	●	
Tow pin	●	
On-board software		
– Program, test & diagnose	●	
– Password protected		
Electronic horn with integral relay (long life / no adjustments)	●	
Battery side covers	●	
Side extraction battery removal with rollers		●
Rapid / fast charge		●
Application / environmental construction		
– Cooler / freezer package: operating temperatures: 0° F to +120° F		●
– SubZero freezer package: operating temperatures: -40° F to +120° F		
UL classification type "EE"		●
4-function hydraulic control valve		●
Hydraulic attachment extension tubes with or without quick disconnect fittings		●
77.9" flat plate overhead guard		●
81.5" drive-in rack grid style overhead guard		●
Keyless start (with auxiliary key switch)		●
LED and halogen work light packages		●
LED dome / reading light		●
Basic and premium LED brake / tail / back-up light packages		●
Audible alarm – reverse operation (manually adjustable to 87, 97 or 102 dB)		●
Visible amber strobe light – continuous activated, overhead guard mounted		●
Fire extinguisher – 2.5 lb dry chemical		●
Impact monitor		●
Operator password start interlock		●
Operator daily checklist		●
System monitor – hydraulic low fluid level indicator and hydraulic filter service indicator		●
Programmable maintenance reminder		●
Yale Vision		●
Yale Reliant™		●
ENERGY SYSTEM	STD	OPT
Lead acid	●	
Yale Power Key		●
SUPPLEMENTAL	STD	OPT
36 Month / 6,000 hour powertrain warranty	●	
12 Month / 2,000 hour full truck warranty	●	
Operating manual	●	

About Yale



Yale Lift Truck Technologies leverages over a century of material handling experience and substantial investment in innovation to bring the most advanced technology-driven lift truck solutions to market. The company offers a full line of award-winning lift trucks, including reach trucks, order pickers, turret trucks, pallet jacks and trucks, pallet stackers, tow tractors and counterbalanced forklifts, as well as powerful operator assist solutions, proven robotics and a wide range of power sources to help customers adapt to today's demanding supply chain. Yale and its independent dealer network support these solutions with comprehensive after-sales service, parts, financing and training.

MATERIALS HANDLING FOR:

Third-party logistics (3PL)

Auto parts distribution

Beverage

Cold & frozen foods

Food distribution

Food processing

Furniture & furnishings

Government

Health & pharma


Home centers & durables

Retail & e-commerce

Yale Lift Truck Technologies
P.O. Box 7367
Greenville, NC 27835-7367
U.S.A.

[yale.com](https://www.yale.com)



© 2024 Hyster-Yale Materials Handling, Inc., all rights reserved. YALE and  are trademarks of Hyster-Yale Materials Handling, Inc.

Trucks may be shown with optional equipment and/or features not available in all regions. Truck performance may be affected by the condition of the vehicle, how it is equipped and the application. Specifications are subject to change without notice. Consult your Yale® Dealer if any of the information shown is critical to your application.

CERTIFICATION: Yale lift trucks meet the design and construction requirements of B56.1-1969, per OSHA Section 1910.178(a)(2), and also comply with the B56.1 revision in effect at time of manufacture. Classified by Underwriters' Laboratories, Inc.