



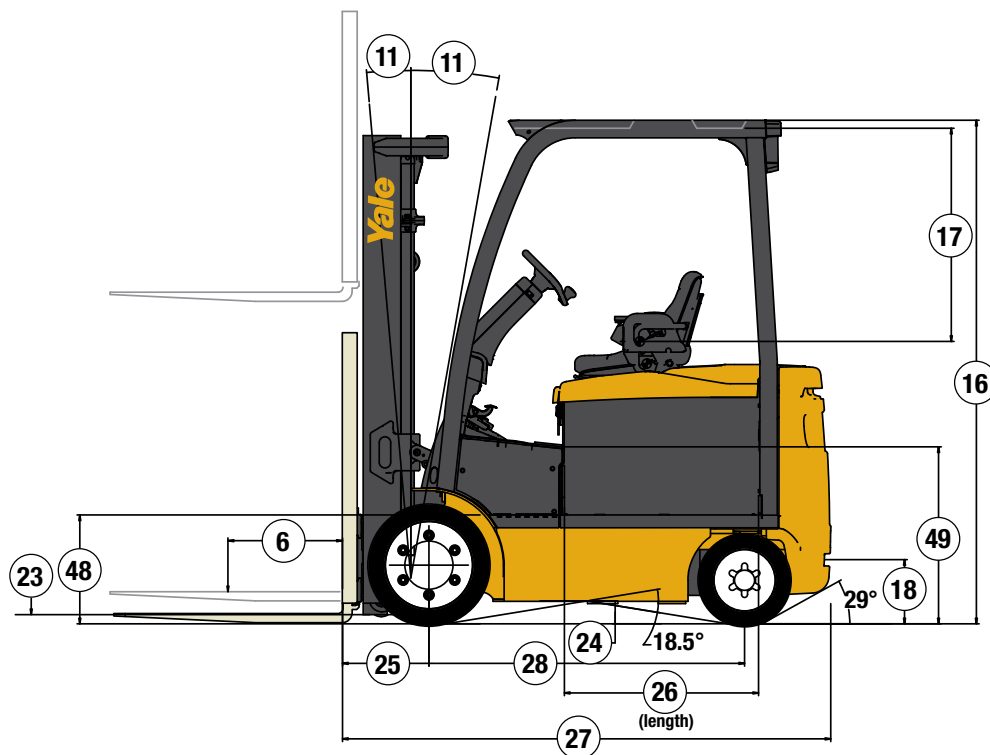
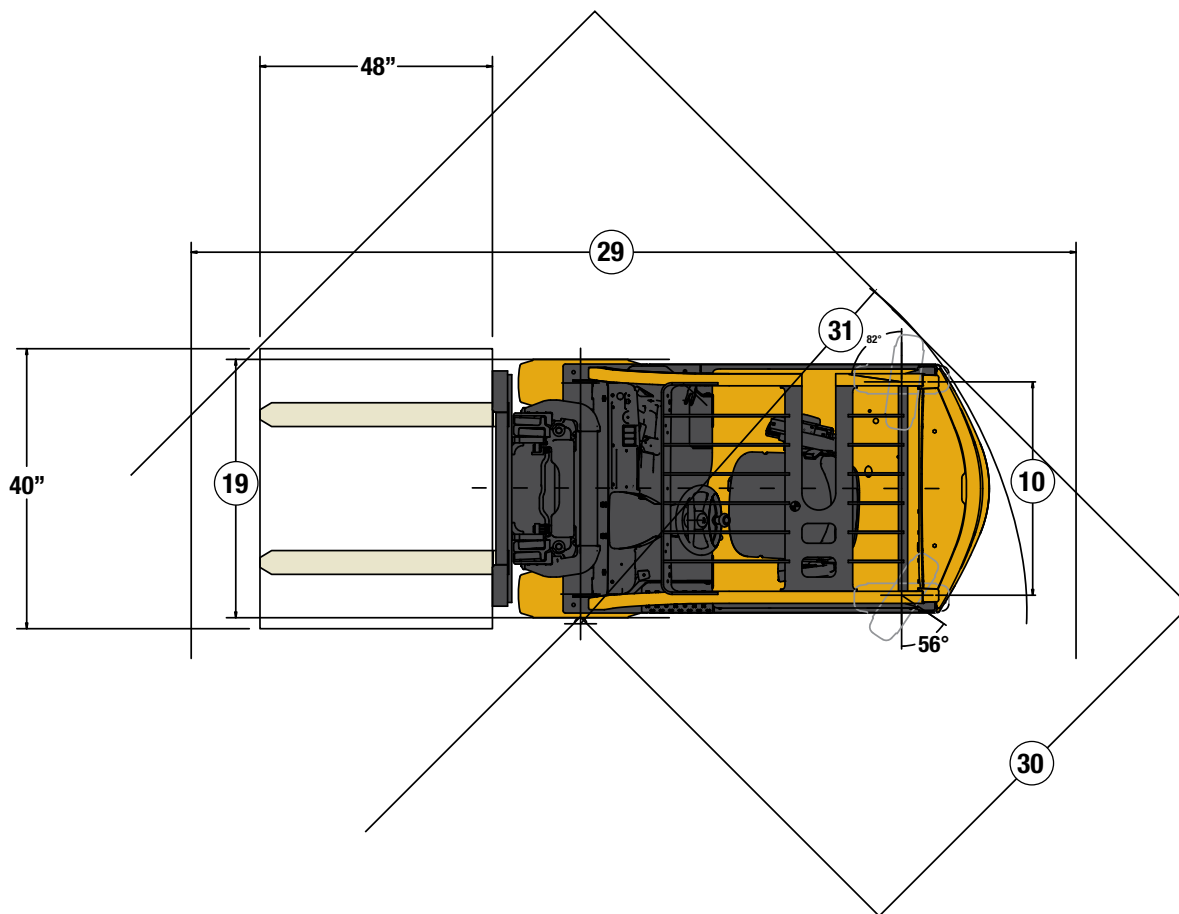
# ERC 045-070VG

SPEC SHEET

Cushion tire electric  
counterbalanced forklift

---

4,500-7,000 lbs.



Circled truck dimensions correspond to the line numbers in the General Specifications chart. Dimensions are listed in inches (millimeters).

**GENERAL SPECIFICATIONS - ERC045VG**

GENERAL	1	Manufacturer		Yale						
	2	Model designation		ERC045VG						
	3	Power		Electric						
	4	Operation		Sit						
	5	Rated capacity	lb. (kg)	4500 (2041)						
	6	Load center	in. (mm)	24 (610)						
TIRES	7	Tire type - cushion, solid, pneumatic, etc.		Drive/steer		Cushion/cushion				
	8	Tire size		Drive/steer	in.	21 x 7 x 15 / 16 x 5 x 10.5				
	9	Wheels - number	X=Driven	Drive/steer		2X/2				
	10	Tread	¢ Tires	Std dr/wide dr/steer	in. (mm)	35.1/41.9/37 (892/1064/940)				
DIMENSIONS	11	Mast tilt		Std opt opt	degrees	5F/5B 10F/5B (5F/4B)				
	12	Mast	Lowered height	Std mast	in. (mm)	83 (2085)				
	13	Free lift - top of fork	Std 2-stg limited free lift mast		in. (mm)	5 (140)				
			Opt 2-Stg full free lift mast with/without LBR		in. (mm)	33/60 (860/1525)				
	14	Lift height - top of fork	Std 2-stg limited free lift mast		in. (mm)	125 (3192)				
	15	Mast - extended height	Std mast with/without LBR		in. (mm)	174/148 (4415/3740)				
	16	Overhead guard height	Std/drive in rack/opt/opt flat plate		in. (mm)	88.5/88.5/86.5/84.1 (2248/2248/2197/2137)				
	17	SIP to bottom std OHG	Susp at mid-point	Std/susp/swivel	in. (mm)	38.3/37.4/37.3 (975/950/948)				
	18	Tow pin height	Vertical center of pin		in. (mm)	11 (280)				
	19	Overall width	Standard tread/wide tread		in. (mm)	42.1/48.9 (1070/1242)				
	20	Forks	Thickness x width x length		in. (mm)	1.6 x 3.9 x 42 (40 x 100 x 1067)				
	21	Standard carriage width	Class II		in. (mm)	38.5 (977)				
	22	Floor to top of battery rollers			in. (mm)	17.2 (436)				
	23	Ground clearance	Lowest point	NL/RL	in. (mm)	3.6/3.3 (91/85)				
			Center of truck	NL/RL	in. (mm)	3.9/3.6 (98/92)				
	24	Load distance	Center of wheel to face of forks		in. (mm)	15.4 (390)				
	25		Height	Without/with battery rollers	in. (mm)	23.9/23.3 (607/593)				
	26	Battery compartment	Width		in. (mm)	39.1 (992)				
			Nominal		SIZE	27"	30"	33"		
			Length	Actual	in. (mm)	27.6 (700)	30.9 (786)	33.3 (847)		
			Length to face of Forks		Chassis length	in. (mm)	79.4 (2016)	82 (2082)	84.3 (2143)	
	27	Wheelbase			in. (mm)	48.4 (1230)	51.8 (1316)	54.2 (1377)		
	28	Right angle stack			in. (mm)	131.7 (3344)	135.2 (3434)	137.5 (3493)		
	29	Equal aisle	90° Intersecting aisle		in. (mm)	71.7 (1822)	72.3 (1836)	73.1 (1858)		
	30	Outside turning radius			in. (mm)	68.3 (1735)	71.9 (1825)	74.2 (1884)		
	WT.	31	Truck weight	Without battery	NL	lb. (kg)	6620 (3003)	6240 (2830)	6280 (2849)	
		32	Axle loading -drive	Static w/ max. wt. battery	NL/RL	lb. (kg)	3945/12102 (1789/5489)	4189/12107 (1900/5492)	4386/12152 (1989/5512)	
		33	Axle loading - steer	Static w/ max. wt. battery	NL/RL	lb. (kg)	5968/2311 (2707/1048)	5556/2138 (2520/970)	5796/2529 (2629/1147)	
	PERFORMANCE	34	Travel speed	Extended shift OFF	NL/RL	mph (km/h)	Standard performance		Premium performance package	
							36	48	48	80
		35	Lift speed	Std 2-stg LFL mast	NL/RL	ft/min (m/sec)	10.9/9.9 (17.6/15.9)	11.3/11.3 (18.2/18.2)	12.3/12.8 (19.8/20.6)	12.3/12.5 (19.8/20.1)
NL/RL					ft/min (m/sec)	9.8/8.8 (15.8/14.2)	10.7/9.9 (17.2/15.9)	12.2/12.4 (19.7/19.9)	12.2/12.3 (19.7/19.8)	
NL/RL					ft/min (m/sec)	100/59 (0.51/0.3)	124/79 (0.63/0.4)	142/102 (0.72/0.52)	142/102 (0.72/0.52)	
NL/RL					ft/min (m/sec)	93/59 (0.47/0.3)	124/81 (0.63/0.41)	130/98 (0.66/0.5)	130/98 (0.66/0.5)	
NL/RL					ft/min (m/sec)	94/59 (0.48/0.3)	124/79 (0.63/0.4)	134/100 (0.68/0.51)	134/100 (0.68/0.51)	
36		Lower speed	Std 2-stg LFL mast	NL/RL	ft/min (m/sec)	100/112 (0.51/0.57)				
				NL/RL	ft/min (m/sec)	91/102 (0.46/0.52)				
				NL/RL	ft/min (m/sec)	93/106 (0.47/0.54)				
				NL/RL	ft/min (m/sec)	77/89 (0.39/0.45)				
37		Gradeability	5 Minute rating	NL/RL	%	39/23	40/25	39/27	39/34	
			60 Minute rating	NL/RL	%	14/8	15/9	25/16	32/20	
38		Drawbar pull	5 Minute rating	NL/RL	lbf	3373/3202	3486/3306	3773/3946	3773/4968	
			60 Minute rating	NL/RL	lbf	1317/1178	1402/1262	2545/2375	3208/3026	
39	Brake	Method of control	Service/parking		Hydraulic/mechanical					
		Method of operation	Service/parking		Foot/foot					
ELECTRIC	40	Battery	Type	Lead acid   Thin Plate Pure Lead*   Lithium-ion*						
					Standard performance		Premium performance package			
	41	Traction motor	60 Minute rating	VOLTS	36	48	48	80		
				hp (kW)	24.7 (18.4)	24.7 (18.4)	31.6 (23.6)	31.6 (23.6)		
42	Pump motor	15% Rating	hp (kW)	16.6 (12.4)	22.4 (16.7)	31.8 (23.7)	32.2 (24)			
OTHER	43	Traction motor	Type/control method	AC/transistor						
				AC/transistor						
	44	Number of speeds	Traction/pump	Infinitely variable/infinitely variable						
				Infinitely variable/infinitely variable						
45	Step height			in. (mm)	18.7 (475)					
46	Floor height	Lowest point			in. (mm)	30.4 (772)				
47	Attachment relief pressure			psi (bar)	2250 (155)					
48	Auxiliary oil flow	3rd and 4th function		gal/min (l/min)	11 (40)					
49	Sound level	Measured per ANSI B56.11.5		dB (A)	60	60	65	65		

\*Optional with Yale Power Key

Above specifications, unless otherwise listed, are for a standard truck without optional equipment.

Right angle stack and equal intersecting aisle dimensions provided with a 48" long and 40" wide pallet load, allowing zero clearance.

**GENERAL SPECIFICATIONS - ERC050VG**

GENERAL	1	Manufacturer		Yale						
	2	Model designation		ERC050VG						
	3	Power		Electric						
	4	Operation		Sit						
	5	Rated capacity	lb. (kg)	5000 (2268)						
	6	Load center	in. (mm)	24 (610)						
TIRES	7	Tire type - cushion, solid, pneumatic, etc.		Drive/steer		Cushion / cushion				
	8	Tire Size		Drive/steer	in.	21 x 7 x 15 / 16 x 5 x 10.5				
	9	Wheels - number	X=Driven	Drive/steer		2X / 2				
	10	Tread	¢ Tires	Std dr/wide dr/steer	in. (mm)	35.1/41.9/37 (892/1064/940)				
DIMENSIONS	11	Mast tilt		Std opt opt	degrees	5F/5B 10F/5B (5F/4B)				
	12	Mast	Lowered height	Std mast	in. (mm)	83 (2085)				
	13	Free lift - top of fork	Std 2-stg limited free lift mast		in. (mm)	5 (140)				
			Opt 2-stg full free lift mast with/without LBR		in. (mm)	33/60 (860/1525)				
	14	Lift height - top of fork	Std 2-stg limited free lift mast		in. (mm)	125 (3192)				
	15	Mast - extended height	Std mast with/without LBR		in. (mm)	174/148 (4415/3740)				
	16	Overhead guard height	Std/drive in rack/opt/opt flat plate		in. (mm)	88.5/88.5/86.5/84.1 (2248/2248/2197/2137)				
	17	SIP to bottom std OHG	Susp at mid-point	Std/susp/swivel	in. (mm)	38.3/37.4/37.3 (975/950/948)				
	18	Tow pin height	Vertical center of pin		in. (mm)	11 (280)				
	19	Overall width	Standard tread/wide tread		in. (mm)	42.1/48.9 (1070/1242)				
	20	Forks	Thickness x width x length		in. (mm)	1.6 x 3.9 x 42 (40 x 100 x 1067)				
	21	Standard carriage width	Class II		in. (mm)	38.5 (977)				
	22	Floor to top of battery rollers			in. (mm)	17.2 (436)				
	23	Ground clearance	Lowest point		NL/RL	in. (mm)	3.6/3.3 (91/85)			
			Center of truck		NL/RL	in. (mm)	3.9/3.6 (98/92)			
	24	Load distance	Center of wheel to face of forks		in. (mm)	15.4 (390)				
	26	Battery compartment	Height		Without/with battery rollers	in. (mm)	23.9/23.3 (607/593)			
			Width			in. (mm)	39.1 (992)			
			Nominal		SIZE		27"	30"	33"	
			Length		Actual	in. (mm)	27.6 (700)	30.9 (786)	33.3 (847)	
	27	Length to face of forks	Chassis length		in. (mm)	80.3 (2040)	82.8 (2102)	84.3 (2143)		
	28	Wheelbase			in. (mm)	48.4 (1230)	51.8 (1316)	54.2 (1377)		
	29	Right angle stack			in. (mm)	132.5 (3366)	135.2 (3434)	137.5 (3493)		
	30	Equal aisle	90° Intersecting aisle		in. (mm)	71.8 (1823)	72.5 (1842)	73.1 (1858)		
	31	Outside turning radius			in. (mm)	69.2 (1757)	71.9 (1825)	74.2 (1884)		
	WT.	32	Truck weight	Without battery	NL	lb. (kg)	7030 (3189)	6670 (3025)	6280 (2849)	
		33	Axle loading - drive	Static w/ max. wt. battery	NL/RL	lb. (kg)	3844/12907 (1744/5855)	4114/12911 (1866/5856)	4386/13015 (1989/5904)	
		34	Axle loading - steer	Static w/ max. wt. battery	NL/RL	lb. (kg)	6477/2414 (2938/1095)	6053/2255 (2746/1023)	5796/2166 (2629/982)	
	PERFORMANCE	36	Travel speed	Extended shift OFF	NL/RL	mph (km/h)	Standard performance		Premium performance package	
							36	48	48	80
		37	Lift speed	Std 2-stg LFL mast	NL/RL	mph (km/h)	10.7/9.6 (17.3/15.4)	11.3/11.3 (18.2/18.2)	12.3/12.8 (19.8/20.6)	12.3/12.5 (19.8/20.1)
NL/RL					ft/min (m/sec)	9.7/8.7 (15.6/14)	10.6/9.8 (17.1/15.8)	12.2/12.4 (19.7/19.9)	12.2/12.2 (19.7/19.7)	
NL/RL					ft/min (m/sec)	100/55 (0.51/0.28)	124/75 (0.63/0.38)	142/96 (0.72/0.49)	142/96 (0.72/0.49)	
NL/RL					ft/min (m/sec)	93/57 (0.47/0.29)	124/77 (0.63/0.39)	130/93 (0.66/0.47)	130/93 (0.66/0.47)	
NL/RL					ft/min (m/sec)	94/57 (0.48/0.29)	124/77 (0.63/0.39)	134/94 (0.68/0.48)	134/94 (0.68/0.48)	
38		Lower speed	Std 2-stg LFL mast	NL/RL	ft/min (m/sec)	100/112 (0.51/0.57)				
				NL/RL	ft/min (m/sec)	91/106 (0.46/0.54)				
				NL/RL	ft/min (m/sec)	93/108 (0.47/0.55)				
				NL/RL	ft/min (m/sec)	77/91 (0.39/0.46)				
39		Gradeability	5 Minute rating	NL/RL	%	35/20	36/21	39/25	39/33	
				NL/RL	%	13/7	14/8	25/15	32/19	
40		Drawbar pull	5 Minute rating	NL/RL	lbf	3358/3152	3464/3257	3773/3909	3773/4926	
	NL/RL			lbf	1295/1129	1380/1212	2545/2345	3208/2993		
41	Brake	Method of control		Service/parking						
		Method of operation		Service/parking						
ELECTRIC	42	Battery	Type		Lead acid   Thin Plate Pure Lead*   Lithium-ion*					
					Standard performance		Premium performance package			
	43	Traction motor	60 Minute rating	VOLTS		36	48	48	80	
				hp (kW)	24.7 (18.4)	24.7 (18.4)	31.6 (23.6)	31.6 (23.6)		
	44	Pump motor	15% Rating	hp (kW)		16.6 (12.4)	22.4 (16.7)	31.8 (23.7)	32.2 (24)	
	45	Traction motor	Type/control method		AC / transistor					
46	Pump motor	Type/control method		AC / transistor						
47	Number of speeds	Traction/pump		Infinitely variable / infinitely variable						
OTHER	48	Step height		in. (mm)	18.7 (475)					
	49	Floor height	Lowest point		in. (mm)	30.4 (772)				
	50	Attachment relief pressure		psi (bar)	2250 (155)					
	51	Auxiliary oil flow	3rd and 4th function		gal/min (l/min)	11 (40)				
	52	Sound level	Measured per ANSI B56.11.5		dB (A)	60	60	65	65	

\*Optional with Yale Power Key

Above specifications, unless otherwise listed, are for a standard truck without optional equipment.

Right angle stack and equal intersecting aisle dimensions provided with a 48" long and 40" wide pallet load, allowing zero clearance.

**GENERAL SPECIFICATIONS - ERC055VG**

GENERAL	1	Manufacturer		Yale					
	2	Model designation		ERC055VG					
	3	Power		Electric					
	4	Operation		Sit					
	5	Rated capacity	lb. (kg)	5500 (2495)					
	6	Load center	in. (mm)	24 (610)					
TIRES	7	Tire type - cushion, solid, pneumatic, etc.	Drive/steer	Cushion / cushion					
	8	Tire size	Drive/steer	in.	21 x 7 x 15 / 16 x 5 x 10.5				
	9	Wheels - number	X=Driven	Drive/steer	2X / 2				
	10	Tread	¢ Tires	Std dr/wide dr/steer	in. (mm)	35.1/41.9/37 (892/1064/940)			
DIMENSIONS	11	Mast tilt	Std opt opt	degrees	5F/5B 10F/5B (5F/4B)				
	12	Mast	Lowered height	Std mast	in. (mm)	83 (2085)			
	13	Free lift - top of fork	Std 2-stg limited free lift mast		in. (mm)	5 (140)			
			Opt 2-stg full free lift mast with/without LBR		in. (mm)	33/60 (860/1525)			
	14	Lift height - top of fork	Std 2-stg limited free lift mast		in. (mm)	125 (3192)			
	15	Mast - extended height	Std mast with/without LBR		in. (mm)	174/148 (4415/3740)			
	16	Overhead guard height	Std/drive in rack/opt/opt flat plate		in. (mm)	88.5/88.5/86.5/84.1 (2248/2248/2197/2137)			
	17	SIP to bottom std OHG	Susp at mid-point	Std/susp/swivel	in. (mm)	38.3/37.4/37.3 (975/950/948)			
	18	Tow pin height	Vertical center of pin		in. (mm)	11 (280)			
	19	Overall width	Standard tread/wide tread		in. (mm)	42.1/48.9 (1070/1242)			
	20	Forks	Thickness x width x length		in. (mm)	1.6 x 3.9 x 42 (40 x 100 x 1067)			
	21	Standard carriage width	Class II		in. (mm)	38.5 (977)			
	22	Floor to top of battery rollers			in. (mm)	17.2 (436)			
	23	Ground clearance	Lowest point	NL/RL	in. (mm)	3.6/3.3 (91/85)			
			Center of truck	NL/RL	in. (mm)	3.9/3.6 (98/92)			
	25	Load distance	Center of wheel to face of forks		in. (mm)	15.4 (390)			
	26	Battery compartment	Height	Without/with battery rollers	in. (mm)	23.9/23.3 (607/593)			
			Width		in. (mm)	39.1 (992)			
			Nominal		SIZE	33"			
			Length	Actual	in. (mm)	33.3 (847)			
27	Length to face of forks	Chassis length		in. (mm)	85.1 (2163)				
28	Wheelbase			in. (mm)	54.2 (1377)				
29	Right angle stack			in. (mm)	137.9 (3502)				
30	Equal aisle	90° Intersecting aisle		in. (mm)	73.8 (1874)				
31	Outside turning radius			in. (mm)	74.5 (1893)				
WT.	32	Truck weight	Without battery	NL	lb. (kg)	6710 (3044)			
	33	Axle loading - drive	Static w/ max. wt. battery	NL/RL	lb. (kg)	4313/13806 (1956/6262)			
	34	Axle loading - steer	Static w/ max. wt. battery	NL/RL	lb. (kg)	6289/2297 (2853/1042)			
PERFORMANCE					Standard performance		PowerPlus performance		
					VOLTS	36	48	48	80
	36	Travel speed	Extended shift OFF	NL/RL	mph (km/h)	10.7/9.4 (17.3/15.1)	11.3/11.3 (18.2/18.2)	12.3/12.8 (19.8/20.6)	12.3/12.5 (19.8/20.1)
			Extended shift ON	NL/RL	mph (km/h)	9.6/8.5 (15.5/13.7)	10.5/9.6 (16.9/15.5)	12.2/12.4 (19.7/19.9)	12.2/12.2 (19.7/19.7)
	37	Lift speed	Std 2-stg LFL mast	NL/RL	ft/min (m/sec)	100/53 (0.51/0.27)	124/71 (0.63/0.36)	142/93 (0.72/0.47)	142/93 (0.72/0.47)
			Opt 2-stg FFL mast	NL/RL	ft/min (m/sec)	93/57 (0.47/0.29)	124/75 (0.63/0.38)	130/89 (0.66/0.45)	130/89 (0.66/0.45)
			Opt 3-stg FFL mast	NL/RL	ft/min (m/sec)	94/55 (0.48/0.28)	124/73 (0.63/0.37)	134/91 (0.68/0.46)	134/91 (0.68/0.46)
			Opt 4-stg FFL mast	NL/RL	ft/min (m/sec)	96/57 (0.49/0.29)	124/75 (0.63/0.38)	136/94 (0.69/0.48)	136/94 (0.69/0.48)
	38	Lower speed	Std 2-stg LFL mast	NL/RL	ft/min (m/sec)	100/114 (0.51/0.58)			
			Opt 2-stg FFL mast	NL/RL	ft/min (m/sec)	91/108 (0.46/0.55)			
			Opt 3-stg FFL mast	NL/RL	ft/min (m/sec)	93/110 (0.47/0.56)			
			Opt 4-stg FFL mast	NL/RL	ft/min (m/sec)	77/91 (0.39/0.46)			
39	Gradeability	5 Minute rating	NL/RL	%	34/19	34/20	36/24	36/30	
		60 Minute rating	NL/RL	%	12/7	13/8	24/14	31/18	
40	Drawbar pull	5 Minute rating	NL/RL	lbf	3350/3139	3456/3243	3715/3868	3715/4881	
		60 Minute rating	NL/RL	lbf	1287/1111	1373/1198	2535/2310	3198/2956	
41	Brake	Method of control	Service/parking		Hydraulic / mechanical				
		Method of operation	Service/parking		Foot / foot				
ELECTRIC	42	Battery	Type	Lead acid   Thin Plate Pure Lead*   Lithium-ion*					
							Standard performance		PowerPlus performance
					VOLTS	36	48	48	80
	43	Traction motor	60 Minute rating		hp (kW)	24.7 (18.4)	24.7 (18.4)	31.6 (23.6)	31.6 (23.6)
	44	Pump motor	15% Rating		hp (kW)	16.6 (12.4)	22.4 (16.7)	31.8 (23.7)	32.2 (24)
45	Traction motor	Type/control method		AC / transistor					
46	Pump motor	Type/control method		AC / transistor					
47	Number of speeds	Traction/pump		Infinitely variable / infinitely variable					
OTHER	48	Step height			in. (mm)	18.7 (475)			
	49	Floor height	Lowest point		in. (mm)	30.4 (772)			
	50	Attachment relief pressure			psi (bar)	2250 (155)			
	51	Auxiliary oil flow	3rd and 4th function		gal/min (l/min)	11 (40)			
	52	Sound level	Measured per ANSI B56.11.5		dB (A)	60	60	65	65

\*Optional with Yale Power Key

Above specifications, unless otherwise listed, are for a standard truck without optional equipment.

Right angle stack and equal intersecting aisle dimensions provided with a 48" long and 40" wide pallet load, allowing zero clearance.

**GENERAL SPECIFICATIONS - ERC060VG**

GENERAL	1	Manufacturer		Yale						
	2	Model designation		ERC060VG						
	3	Power		Electric						
	4	Operation		Sit						
	5	Rated capacity	lb. (kg)	6000 (2722)						
	6	Load center	in. (mm)	24 (610)						
TIRES	7	Tire type - cushion, solid, pneumatic, etc.		Drive/steer		Cushion / cushion				
	8	Tire size		Drive/steer		in. 21 x 8 x 15 / 16 x 6 x 10.5				
	9	Wheels - number	X=Driven	Drive/steer		2X / 2				
	10	Tread	¢ Tires	Std dr/wide dr/steer	in. (mm)		35.6/40.9/36 (905/1039/915)			
DIMENSIONS	11	Mast tilt		Std opt opt	degrees		5F/5B 10F/5B (5F/4B)			
	12	Mast	Lowered height	Std mast	in. (mm)		83 (2085)			
	13	Free lift - top of fork	Std 2-stg limited free lift mast		in. (mm)		5 (140)			
			Opt 2-stg full free lift mast with/without LBR		in. (mm)		33/56 (855/1440)			
	14	Lift height - top of fork	Std 2-stg limited free lift mast		in. (mm)		118 (3009)			
	15	Mast - extended height	Std mast with/without LBR		in. (mm)		167/144 (4235/3655)			
	16	Overhead guard height	Std/drive in rack/opt/opt flat plate		in. (mm)		88.5/88.5/86.5/84.1 (2248/2248/2197/2137)			
	17	SIP to bottom std OHG	Susp at mid-point		Std/susp/swivel	in. (mm)		38.3/37.4/37.3 (975/950/948)		
	18	Tow pin height	Vertical center of pin		in. (mm)		11 (280)			
	19	Overall width	Standard tread/wide tread		in. (mm)		43.6/48.9 (1108/1242)			
	20	Forks	Thickness x width x length		in. (mm)		2 x 4.9 x 42 (50 x 125 x 1067)			
	21	Standard carriage width	Class II		in. (mm)		38.5 (977)			
	22	Floor to top of battery rollers			in. (mm)		17.2 (436)			
	23	Ground clearance	Lowest point		NL/RL	in. (mm)		3.6/3.3 (91/85)		
	24		Center of truck		NL/RL	in. (mm)		3.7/3.6 (94/92)		
	25	Load distance	Center of wheel to face of forks		in. (mm)		15.8 (402)			
	26	Battery compartment	Height		Without/with battery rollers		in. (mm)		23.9/23.3 (607/593)	
			Width				in. (mm)		39.1 (992)	
			Nominal				SIZE		33"	
			Length		Actual		in. (mm)		33.3 (847)	
	27	Length to face of forks	Chassis length		in. (mm)		86.5 (2199)			
28	Wheelbase			in. (mm)		54.2 (1377)				
29	Right angle stack			in. (mm)		139.2 (3536)				
30	Equal aisle	90° Intersecting aisle		in. (mm)		74.2 (1885)				
31	Outside turning radius			in. (mm)		75.4 (1915)				
WT.	32	Truck weight	Without battery	NL	lb. (kg)		7350 (3334)			
	33	Axle loading - drive	Static w/ max. wt. battery	NL/RL	lb. (kg)		4474/14882 (2029/6750)			
	34	Axle loading - steer	Static w/ max. wt. battery	NL/RL	lb. (kg)		6769/2361 (3070/1071)			
PERFORMANCE	36	Travel speed	Extended Shift OFF	NL/RL	VOLTS		Standard performance		PowerPlus performance	
					mph (km/h)	36	48	48	80	
	37	Lift speed	Std 2-stg LFL mast	NL/RL	mph (km/h)	10.6/9.1 (17/14.6)	11.3/11.3 (18.2/18.2)	12.3/12.8 (19.8/20.6)	12.3/12.5 (19.8/20.1)	
				NL/RL	ft/min (m/sec)	9.5/8.3 (15.3/13.3)	10.4/9.4 (16.7/15.1)	12.2/12.2 (19.7/19.7)	12.2/12.1 (19.7/19.4)	
				NL/RL	ft/min (m/sec)	83/49 (0.47/0.25)	116/65 (0.59/0.33)	124/83 (0.63/0.42)	124/83 (0.63/0.42)	
				NL/RL	ft/min (m/sec)	83/49 (0.42/0.25)	108/65 (0.55/0.33)	116/81 (0.59/0.41)	116/81 (0.59/0.41)	
	38	Lower speed	Opt 2-stg FFL mast	NL/RL	ft/min (m/sec)	85/49 (0.43/0.25)	112/65 (0.57/0.33)	118/81 (0.6/0.41)	118/81 (0.6/0.41)	
				NL/RL	ft/min (m/sec)	96/57 (0.49/0.29)	124/75 (0.63/0.38)	136/94 (0.69/0.48)	136/94 (0.69/0.48)	
				NL/RL	ft/min (m/sec)	91/110 (0.46/0.56)				
				NL/RL	ft/min (m/sec)	73/102 (0.37/0.52)				
	39	Gradeability	5 Minute rating	NL/RL	%	32/19	33/19	36/22	36/28	
				NL/RL	%	12/7	13/7	22/13	29/16	
	40	Drawbar pull	60 Minute rating	NL/RL	lbf	3342/3124	3448/3229	3883/3820	3883/4830	
NL/RL				lbf	1280/1094	1365/1184	2518/2269	3181/2912		
41	Brake	Method of control		Service/parking				Hydraulic / mechanical		
		Method of operation		Service/parking				Foot / foot		
ELECTRIC	42	Battery	Type		Lead acid   Thin Plate Pure Lead*   Lithium-ion*					
					Standard performance		PowerPlus performance			
	43	Traction motor	60 Minute rating	VOLTS		36	48	48	80	
				hp (kW)	24.7 (18.4)	24.7 (18.4)	31.6 (23.6)	31.6 (23.6)		
44	Pump motor	15% Rating	hp (kW)		16.6 (12.4)	22.4 (16.7)	31.8 (23.7)	32.2 (24)		
45	Traction motor	Type/control method		AC / transistor						
46	Pump motor	Type/control method		AC / transistor						
47	Number of speeds	Traction/pump		Infinitely variable / Infinitely variable						
OTHER	48	Step height		in. (mm)		18.7 (475)				
	49	Floor height	Lowest point		in. (mm)		30.4 (772)			
	50	Attachment relief pressure			psi (bar)		2250 (155)			
	51	Auxiliary oil flow	3rd and 4th function		gal/min (l/min)		11 (40)			
	52	Sound level	Measured per ANSI B56.11.5		dB (A)		60	60	65	65

\*Optional with Yale Power Key

Above specifications, unless otherwise listed, are for a standard truck without optional equipment.

Right angle stack and equal intersecting aisle dimensions provided with a 48" long and 40" wide pallet load, allowing zero clearance.

**GENERAL SPECIFICATIONS - ERC065VG**

GENERAL	1	Manufacturer		Yale					
	2	Model designation		ERC065VG					
	3	Power		Electric					
	4	Operation		Sit					
	5	Rated capacity	lb. (kg)	6500 (2948)					
	6	Load center	in. (mm)	24 (610)					
TIRES	7	Tire type - cushion, solid, pneumatic, etc.		Drive/steer		Cushion / cushion			
	8	Tire size		Drive/steer		in. 21 x 8 x 15 / 16 x 6 x 10.5			
	9	Wheels - number	X=Driven	Drive/steer		2X / 2			
	10	Tread	¢ Tires	Std dr/wide dr/steer	in. (mm)	35.6/40.9/36 (905/1039/915)			
DIMENSIONS	11	Mast tilt		Std opt opt	degrees	5F/5B 10F/5B (5F/4B)			
	12	Mast - lowered height		Std mast	in. (mm)	83 (2085)			
	13	Free Lift - top of fork	Std 2-stg limited free lift mast		in. (mm)	5 (140)			
			Opt 2-stg full free lift mast with/without LBR		in. (mm)	33/56 (855/1440)			
	14	Lift Height - top of fork	Std 2-stg limited free lift mast		in. (mm)	118 (3009)			
	15	Mast - extended height	Std mast with/without LBR		in. (mm)	167/144 (4235/3655)			
	16	Overhead guard height	Std/drive in rack/opt/opt flat plate		in. (mm)	88.5/88.5/86.5/84.1 (2248/2248/2197/2137)			
	17	SIP to bottom std OHG	Susp at mid-point	Std/susp/swivel	in. (mm)	38.3/37.4/37.3 (975/950/948)			
	18	Tow pin height	Vertical center of pin		in. (mm)	11 (280)			
	19	Overall width	Standard tread/wide tread		in. (mm)	43.6/48.9 (1108/1242)			
	20	Forks	Thickness x width x length		in. (mm)	2 x 4.9 x 42 (50 x 125 x 1067)			
	21	Standard carriage width	Class II		in. (mm)	38.5 (977)			
	22	Floor to top of battery rollers			in. (mm)	17.2 (436)			
	23	Ground clearance	Lowest point		NL/RL	in. (mm)	3.6/3.3 (91/85)		
			Center of truck		NL/RL	in. (mm)	3.7/3.6 (94/92)		
	24	Load distance	Center of wheel to face of forks		in. (mm)	15.8 (402)			
	26	Battery compartment	Height		Without/with battery rollers	in. (mm)	23.9/23.3 (607/593)		
			Width			in. (mm)	39.1 (992)		
			Nominal		SIZE		36"	40"	
			Length		Actual	in. (mm)	36.7 (933)	40 (1015)	
	27	Length to face of forks	Chassis Length		in. (mm)	90 (2285)	92.2 (2343)		
	28	Wheelbase			in. (mm)	57.6 (1463)	60.8 (1545)		
	29	Right angle stack			in. (mm)	142.9 (3629)	145.5 (3695)		
	30	Equal aisle	90° Intersecting aisle		in. (mm)	76.1 (1933)	77 (1956)		
	31	Outside turning radius			in. (mm)	79.1 (2008)	81.7 (2074)		
	WT.	32	Truck weight	Without battery	NL	lb. (kg)	7400 (3357)	7040 (3193)	
		33	Axle loading - drive	Static w/ max. wt. Battery	NL/RL	lb. (kg)	4640/15635 (2105/7092)	4914/15670 (2229/7108)	
		34	Axle loading - steer	Static w/ max. wt. Battery	NL/RL	lb. (kg)	6853/2359 (3108/1070)	6514/2258 (2955/1024)	
	PERFORMANCE					Standard performance		PowerPlus performance	
						VOLTS	36	48	48 80
		36	Travel speed	Extended shift OFF		NL/RL	mph (km/h)	10.6/9.1 (17/14.6)	11.3/11.3 (18.2/18.2) 12.3/12.7 (19.8/20.4) 12.3/12.4 (19.8/20)
Extended shift ON				NL/RL	mph (km/h)	9.5/8.2 (15.3/13.2)	10.4/9.3 (16.7/15) 12.2/12.1 (19.7/19.5) 12.2/11.8 (19.7/19)		
37		Lift speed	Std 2-stg LFL mast		NL/RL	ft/min (m/sec)	93/47 (0.47/0.24)	116/63 (0.59/0.32) 124/79 (0.63/0.4) 124/79 (0.63/0.4)	
			Opt 2-stg FFL mast		NL/RL	ft/min (m/sec)	83/47 (0.42/0.24)	108/63 (0.55/0.32) 116/77 (0.59/0.39) 116/77 (0.59/0.39)	
			Opt 3-stg FFL mast		NL/RL	ft/min (m/sec)	85/47 (0.43/0.24)	112/63 (0.57/0.32) 118/77 (0.6/0.39) 118/77 (0.6/0.39)	
			Opt 4-stg FFL mast		NL/RL	ft/min (m/sec)	96/57 (0.49/0.29)	124/75 (0.63/0.38) 136/94 (0.69/0.48) 136/94 (0.69/0.48)	
38		Lower speed	Std 2-stg LFL mast		NL/RL	ft/min (m/sec)	91/112 (0.46/0.57)		
			Opt 2-stg FFL mast		NL/RL	ft/min (m/sec)	73/104 (0.37/0.53)		
			Opt 3-stg FFL mast		NL/RL	ft/min (m/sec)	79/106 (0.4/0.54)		
			Opt 4-stg FFL mast		NL/RL	ft/min (m/sec)	77/91 (0.39/0.46)		
39		Gradeability	5 Minute rating		NL/RL	%	31/18	31/19 37/21 37/26	
			60 Minute rating		NL/RL	%	12/6	12/7 22/12 28/16	
40		Drawbar pull	5 Minute rating		NL/RL	lbf	3335/3107	3440/3211 4084/3791 4084/4798	
	60 Minute rating		NL/RL	lbf	1274/1083	1360/1167 2513/2245 3176/2886			
41	Brake	Method of control		Service/parking		Hydraulic / mechanical			
		Method of operation		Service/parking		Foot / foot			
ELECTRIC	42	Battery	Type		Lead acid   Thin Plate Pure Lead*   Lithium-ion*				
							Standard performance		PowerPlus performance
					VOLTS	36	48	48 80	
	43	Traction motor	60 Minute rating		hp (kW)	24.7 (18.4)	24.7 (18.4)	31.6 (23.6) 31.6 (23.6)	
	44	Pump motor	15% Rating		hp (kW)	16.6 (12.4)	22.4 (16.7)	31.8 (23.7) 32.2 (24)	
45	Traction motor	Type/control method		AC / transistor					
46	Pump motor	Type/control method		AC / transistor					
47	Number of speeds	Traction/pump		Infinitely variable / infinitely variable					
OTHER	48	Step height		in. (mm)	18.7 (475)				
	49	Floor height	Lowest point		in. (mm)	30.4 (772)			
	50	Attachment relief pressure			psi (bar)	2250 (155)			
	51	Auxiliary oil flow	3rd and 4th function		gal/min (l/min)	11 (40)			
	52	Sound level	Measured per ANSI B56.11.5		dB (A)	60	60	65 65	

\*Optional with Yale Power Key

Above specifications, unless otherwise listed, are for a standard truck without optional equipment.

Right angle stack and equal intersecting aisle dimensions provided with a 48" long and 40" wide pallet load, allowing zero clearance.

**GENERAL SPECIFICATIONS ERC070VG**

GENERAL	1	Manufacturer		Yale					
	2	Model designation		ERC070VG					
	3	Power		Electric					
	4	Operation		Sit					
	5	Rated capacity	lb. (kg)	7000 (3175)					
	6	Load center	in. (mm)	24 (610)					
TIRES	7	Tire type - cushion, solid, pneumatic, etc.	Drive/steer	Cushion / cushion					
	8	Tire size	Drive/steer	in.	21 x 9 x 15 / 16 x 7 x 10.5				
	9	Wheels - number	X=Driven	Drive/steer	2X / 2				
	10	Tread	¢ Tires	Std dr/wide dr/steer	in. (mm)	36.6/39.9/37 (929/1013/940)			
DIMENSIONS	11	Mast tilt	Std opt opt	degrees	5F/5B 10F/5B (5F/4B)				
	12	Mast	Lowered height	Std mast	in. (mm)	83 (2085)			
	13	Free lift - top of fork	Std 2-stg limited free lift mast		in. (mm)	5 (140)			
			Opt 2-stg full free lift mast with/without LBR		in. (mm)	33/56 (855/1440)			
	14	Lift height - top of fork	Std 2-stg limited free lift mast		in. (mm)	118 (3009)			
	15	Mast - extended height	Std mast with/without LBR		in. (mm)	167/144 (4235/3655)			
	16	Overhead guard height	Std/drive in rack/opt/opt flat plate		in. (mm)	88.5/88.5/86.5/84.1 (2248/2248/2197/2137)			
	17	SIP to bottom std OHG	Susp at mid-point	Std/susp/swivel	in. (mm)	38.3/37.4/37.3 (975/950/948)			
	18	Tow pin height	Vertical center of pin		in. (mm)	11 (280)			
	19	Overall width	Standard tread/wide tread		in. (mm)	45.6/48.9 (1158/1242)			
	20	Forks	Thickness x width x length		in. (mm)	2 x 4.9 x 42 (50 x 125 x 1067)			
	21	Standard carriage width	Class II		in. (mm)	38.5 (977)			
	22	Floor to top of battery rollers			in. (mm)	17.2 (436)			
	23	Ground clearance	Lowest point	NL/RL	in. (mm)	3.6/3.3 (91/85)			
			Center of truck	NL/RL	in. (mm)	3.7/3.6 (94/92)			
	24	Load distance	Center of wheel to face of forks		in. (mm)	15.8 (402)			
	25		Height	Without/with battery rollers	in. (mm)	23.9/23.3 (607/593)			
	26	Battery compartment	Width		in. (mm)	39.1 (992)			
			Nominal		SIZE	40"			
			Length	Actual	in. (mm)	40 (1015)			
			Length to face of forks		Chassis length	in. (mm)	93.1 (2367)		
27	Wheelbase			in. (mm)	60.8 (1545)				
28	Right angle stack			in. (mm)	146.3 (3715)				
29	Equal aisle	90° Intersecting aisle		in. (mm)	77.4 (1965)				
30	Outside turning radius			in. (mm)	82.4 (2094)				
WT.	31	Truck weight	Without battery	NL	lb. (kg)	7500 (3402)			
	32	Axle loading - drive	Static w/ max. wt. battery	NL/RL	lb. (kg)	4868/16451 (2208/7462)			
	33	Axle loading - steer	Static w/ max. wt. battery	NL/RL	lb. (kg)	7022/2439 (3185/1106)			
PERFORMANCE					Standard performance		Premium performance package		
					VOLTS				
	36	Travel speed	Extended shift OFF	NL/RL	mph (km/h)	10.6/9 (17/14.5)	11.3/11.3 (18.2/18.2)	12.3/12.6 (19.8/20.3)	12.3/12.3 (19.8/19.8)
			Extended shift ON	NL/RL	mph (km/h)	9.4/8.1 (15.2/13.1)	10.3/9.3 (16.6/14.9)	12.2/12.1 (19.7/19.4)	12.2/11.9 (19.7/19.1)
	37	Lift speed	Std 2-stg LFL mast	NL/RL	ft/min (m/sec)	93/45 (0.47/0.23)	116/61 (0.59/0.31)	124/73 (0.63/0.37)	124/73 (0.63/0.37)
			Opt 2-stg FFL mast	NL/RL	ft/min (m/sec)	83/45 (0.42/0.23)	108/61 (0.55/0.31)	116/73 (0.59/0.37)	116/73 (0.59/0.37)
			Opt 3-stg FFL mast	NL/RL	ft/min (m/sec)	85/45 (0.43/0.23)	112/61 (0.57/0.31)	118/73 (0.6/0.37)	118/73 (0.6/0.37)
			Opt 4-stg FFL mast	NL/RL	ft/min (m/sec)	96/57 (0.49/0.29)	124/75 (0.63/0.38)	136/94 (0.69/0.48)	136/94 (0.69/0.48)
	38	Lower speed	Std 2-stg LFL mast	NL/RL	ft/min (m/sec)	91/114 (0.46/0.58)			
			Opt 2-stg FFL mast	NL/RL	ft/min (m/sec)	73/106 (0.37/0.54)			
			Opt 3-stg FFL mast	NL/RL	ft/min (m/sec)	79/0.5 (0.4/0.56)			
			Opt 4-stg FFL mast	NL/RL	ft/min (m/sec)	77/91 (0.39/0.46)			
	39	Gradeability	5 Minute rating	NL/RL	%	29/17	29/18	36/19	37/25
60 Minute rating			NL/RL	%	10/6	11/6	21/11	27/14	
40	Drawbar pull	5 Minute rating	NL/RL	lbf	3329/3089	3428/3201	4101/3744	4193/4745	
		60 Minute rating	NL/RL	lbf	1269/1072	1355/1149	2502/2204	3165/2842	
41	Brake	Method of control	Service/parking		Hydraulic / mechanical				
		Method of operation	Service/parking		Foot / foot				
ELECTRIC	42	Battery	Type	Lead acid   Thin Plate Pure Lead*   Lithium-ion*					
							Standard performance		Premium performance package
	43	Traction motor	60 Minute rating			VOLTS			
				hp (kW)	24.7 (18.4)	24.7 (18.4)	31.6 (23.6)	31.6 (23.6)	
	44	Pump motor	15% Rating			VOLTS			
45	Traction motor	Type/control method		AC / transistor					
46	Pump motor	Type/control method		AC / transistor					
47	Number of speeds	Traction/pump		Infinitely variable / Infinitely variable					
OTHER	48	Step height		in. (mm)	18.7 (475)				
	49	Floor height	Lowest point	in. (mm)	30.4 (772)				
	50	Attachment relief pressure			psi (bar)	2250 (155)			
	51	Auxiliary oil flow	3rd and 4th function		gal/min (l/min)	11 (40)			
	52	Sound level	Measured per ANSI B56.11.5		dB (A)	60	60	65	65

\*Optional with Yale Power Key

Above specifications, unless otherwise listed, are for a standard truck without optional equipment.

Right angle stack and equal intersecting aisle dimensions provided with a 48" long and 40" wide pallet load, allowing zero clearance.



## BATTERY AND COMPARTMENT SPECIFICATIONS - ERC045-070VG

Model	Compartment dim			Battery dim - max			Volts	No. of cells	Max capacity 6 hour rate"	Weight	
	Width	Length	Height	"X"	"Y"	"Z"				Min	Max
	in. (mm)								amp hr (kwh)	lb. (kg)	
ERC045-050VG 27" Compartment	39.1 (992)	27.6 (700)	23.9 (607)	38.7 (983)	27.2 (691)	23.5 (597)	36	18	1100 (38.3)	2300 (1050)	3300 (1500)
							48	24	800 (37.2)		
							80	40	375 (29.3)		
ERC045-050VG 30" Compartment	39.1 (992)	30.9 (786)	23.9 (607)	38.7 (983)	30.6 (777)	23.5 (597)	36	18	1200 (41.9)	2500 (1150)	3500 (1600)
							48	24	900 (42)		
							80	40	400 (31.2)		
ERC045-060VG 33" Compartment	39.1 (992)	33.3 (847)	23.9 (607)	38.7 (983)	33 (838)	23.5 (597)	36	18	1300 (45.4)	2900 (1320)	3900 (1770)
							48	24	1000 (46.6)		
							80	40	450 (35.1)		
ERC065VG 36" Compartment	39.1 (992)	36.7 (933)	23.9 (607)	38.7 (983)	36.4 (924)	23.5 (597)	36	18	1500 (52.4)	3100 (1410)	4100 (1860)
							48	24	1100 (51.1)		
							80	40	600 (46.8)		
ERC065-070VG 40" Compartment	39.1 (992)	40 (1015)	23.9 (607)	38.7 (983)	39.6 (1006)	23.5 (597)	36	18	1600 (55.8)	3400 (1550)	4400 (2000)
							48	24	1200 (55.9)		
							80	40	600 (46.8)		

Battery type: "E0" (without cover)

Battery amp hr (kwh) capacity is max allowable per UL

Commercially available lead acid or lithium-ion batteries may not necessarily reach these max limits

Battery roller option reduces battery compartment height to 23.3" (593mm) & max battery height to 23.0" (583mm)

Battery compartment length is measured front to rear. Battery compartment width is measured across the truck

Battery notes - conventional charging (option BCSSBC)

Battery connector: 36 volt - Gray SB®350 (Anderson Power Products® P/N 6320G1 or equivalent)

48 volt - Blue SB®350 (Anderson Power Products® P/N 6321G1 or equivalent)

80 volt - Black SBE®320 (Anderson Power Products® P/N E6363G1 or equivalent)

Battery lead: length 20" (508 mm), position "B", 2/0 AWG

Battery notes - rapid/fast charging (option BAFBC)

NOTE: A site survey is required to confirm your application is a candidate for rapid charge and to determine the battery and charger specifications required. Contact your battery and charger supplier.

Battery connector: requires dual positive/negative cabling terminating in (2) female EBC-320 DIN connectors (Anderson Power Products® P/N A32503-0009 or equivalent)

Each individual DIN connector to include 1 red conductor to (+) and 1 black conductor to (-)

Battery lead: length 25" (635 mm), position "B", minimum cable size 3/0 AWG

### MAST DIMENSIONS - ERC045-055VG

Maximum fork height (TOF)	Overall lowered height	Overall extended height		Free lift (TOF)		Approx. total wt. of standard equipped truck w/o battery		
		w/ Load backrest	w/o Load backrest	w/ Load backrest	w/o Load backrest	ERC045VG	ERC050VG	ERC055VG
in. (mm)	in. (mm)	in. (mm)	in. (mm)	in. (mm)	in. (mm)	lbs. (kg)	lbs. (kg)	lbs. (kg)
<b>2-STAGE LIMITED FREE-LIFT (LFL) HI-VIS™2 MAST</b>								
125 (3192)	83 (2085)	174 (4415)	147 (3749)	5 (140)	5 (140)	6860 (3112)	7270 (3298)	6950 (3152)
133 (3392)	86 (2185)	182 (4615)	155 (3949)	5 (140)	5 (140)	7060 (3202)	7470 (3388)	7150 (3243)
137 (3492)	88 (2235)	186 (4715)	159 (4049)	5 (140)	5 (140)	7160 (3248)	7570 (3434)	7250 (3289)
<b>2-STAGE FULL FREE-LIFT (FFL) HI-VIS™ MAST</b>								
126 (3202)	83 (2085)	175 (4425)	148 (3759)	33 (862)	60 (1528)	6960 (3157)	7370 (3343)	7050 (3198)
133 (3402)	86 (2185)	183 (4625)	155 (3959)	37 (964)	64 (1628)	7160 (3248)	7570 (3434)	7250 (3289)
137 (3502)	88 (2235)	186 (4725)	159 (4059)	39 (1012)	66 (1678)	7260 (3293)	7670 (3479)	7350 (3334)
<b>3-STAGE FULL FREE-LIFT (FFL) HI-VIS™2 MAST</b>								
189 (4800)	83 (2085)	238 (6023)	210 (5399)	33 (862)	60 (1546)	7460 (3384)	7870 (3570)	7550 (3425)
194 (4950)	85 (2135)	243 (6173)	216 (5489)	36 (917)	62 (1596)	7480 (3393)	7890 (3579)	7570 (3434)
200 (5100)	88 (2235)	249 (6323)	222 (5639)	39 (1012)	66 (1696)	7530 (3416)	7940 (3602)	7620 (3456)
218 (5550)	94 (2385)	267 (6773)	239 (6089)	45 (1162)	72 (1846)	7610 (3452)	8020 (3638)	7700 (3493)
236 (6000)	102 (2585)	285 (7223)	257 (6539)	53 (1362)	80 (2046)	7690 (3488)	8100 (3674)	7780 (3529)
<b>4-STAGE FULL FREE-LIFT (FFL) HI-VIS™ MAST</b>								
240 (6098)	84 (2133)	289 (7321)	263 (6678)	35 (910)	61 (1553)	8000 (3629)	8410 (3815)	8090 (3670)
252 (6404)	88 (2235)	301 (7627)	275 (6984)	39 (1012)	65 (1655)	8070 (3660)	8480 (3846)	8160 (3701)
264 (6710)	92 (2336)	313 (7933)	287 (7290)	43 (1113)	69 (1756)	8140 (3692)	8550 (3878)	8230 (3733)

### MAST DIMENSIONS - ERC060-070VG

Maximum fork height (TOF)	Overall lowered height	Overall extended height		Free lift (TOF)		Approx. total wt. of standard equipped truck w/o battery		
		w/ Load backrest	w/o Load backrest	w/ Load backrest	w/o Load backrest	ERC045VG	ERC050VG	ERC055VG
in. (mm)	in. (mm)	in. (mm)	in. (mm)	in. (mm)	in. (mm)	lbs. (kg)	lbs. (kg)	lbs. (kg)
<b>2-STAGE LIMITED FREE-LIFT (LFL) HI-VIS™2 MAST</b>								
118 (3009)	83 (2085)	167 (4237)	143 (3654)	5 (150)	5 (150)	7570 (3434)	7750 (3515)	7850 (3561)
126 (3209)	86 (2185)	175 (4437)	151 (3854)	5 (150)	5 (150)	7640 (3465)	7820 (3547)	7920 (3592)
130 (3309)	88 (2235)	179 (4537)	155 (3954)	5 (150)	5 (150)	7720 (3502)	7900 (3583)	8000 (3629)
<b>2-STAGE FULL FREE-LIFT (FFL) HI-VIS™ MAST</b>								
118 (3010)	83 (2085)	167 (4237)	144 (3655)	33 (857)	56 (1440)	7630 (3461)	7810 (3543)	7910 (3588)
126 (3210)	86 (2185)	175 (4437)	151 (3855)	37 (957)	60 (1540)	7670 (3479)	7850 (3561)	7950 (3606)
130 (3310)	88 (2235)	179 (4537)	155 (3955)	39 (1007)	62 (1590)	7810 (3543)	7990 (3624)	8090 (3670)
<b>3-STAGE FULL FREE-LIFT (FFL) HI-VIS™2 MAST</b>								
175 (4468)	83 (2085)	225 (5696)	200 (5095)	33 (857)	57 (1458)	8050 (3651)	8230 (3733)	8330 (3778)
181 (4618)	85 (2135)	231 (5846)	206 (5245)	35 (907)	59 (1508)	8150 (3697)	8330 (3778)	8430 (3824)
187 (4768)	88 (2235)	237 (5996)	212 (5395)	39 (1007)	63 (1608)	8240 (3738)	8420 (3819)	8520 (3865)
205 (5218)	94 (2385)	254 (6446)	230 (5845)	45 (1157)	69 (1758)	8310 (3769)	8490 (3851)	8590 (3896)
223 (5668)	102 (2585)	272 (6896)	248 (6295)	53 (1357)	77 (1958)	8410 (3815)	8590 (3896)	8690 (3942)
<b>4-STAGE FULL FREE-LIFT (FFL) HI-VIS™ MAST</b>								
240 (6098)	84 (2133)	289 (7321)	263 (6678)	35 (910)	61 (1553)	8510 (3860)	8690 (3942)	8790 (3987)
252 (6404)	88 (2235)	301 (7627)	275 (6984)	39 (1012)	65 (1655)	8580 (3892)	8760 (3973)	8860 (4019)
264 (6710)	92 (2336)	313 (7933)	287 (7290)	43 (1113)	69 (1756)	8650 (3924)	8830 (4005)	8930 (4051)

## FEATURES LIST

PERFORMANCE	STD	OPT	ERGONOMICS CONTINUED	STD	OPT
36-Volt electrical system	●		Key switch controlled lights		●
Standard performance	●		Rear drive handle with integrated horn button		●
AC traction and pump motors (completely brushless)	●		Mirrors – dual side view or panoramic		●
Transistor drive and pump control	●		Synchronous steering		●
Advanced VSM (vehicle system manager)	●		Red, high-visibility, non-cinch seat belt with or without start interlock		●
Progressive thermal management system	●		Low mount display		●
48 or 80-Volt electrical system		●	<b>OPERATION</b>	<b>STD</b>	<b>OPT</b>
Premium Performance Package (N/A with 36-volt)		●	Battery compartment size		
Reverse Speed System		●	– 27" (ERP045-50VG)		
<b>DRIVE</b>	<b>STD</b>	<b>OPT</b>	– 33" (ERP055-60VG)	●	
Smooth tread rubber drive tire and steer tire	●		– 36" (ERP065VG)		
Non-marking, rubber, or lug tread tires		●	– 40" (ERP070VG)		
Wide tread tires		●	Lift out battery extraction	●	
<b>LIFT</b>	<b>STD</b>	<b>OPT</b>	Standard construction	●	
2-stage limited free lift (LFL) Hi-Vis™2 mast* with maximum fork height of 125" (3192mm) (ERP045-55VG) or 118" (4800mm) (ERP060-70VG)	●		UL classification type "E"	●	
2-stage full free lift (FFL) Hi-Vis™ mast* 3-stage full free lift (FFL) Hi-Vis™2 mast* 4-stage full free lift (FFL) Hi-Vis™ mast*		●	Key switch start	●	
5° forward and 5° back mast tilt	●		88.5" grid style overhead guard	●	
Mast tilt option – 10° forward / 5° back		●	3-function hydraulic control valve with seatside mechanical levers	●	
Mast tilt option – 5° forward / 4° back		●	Fully integrated CANbus communication	●	
Return to set tilt		●	On-demand power steering	●	
Accumulator		●	Continuous Stability System (CSS™)	●	
Load weight indicator		●	Static strap	●	
<b>HANDLING</b>	<b>STD</b>	<b>OPT</b>	Tow pin	●	
38.5" (980mm) wide Class II (ERP045-55VG) or Class III (ERP060-7VG) hook-type carriage with 38.5" (980 mm) high load backrest extension	●		On-board software: program, test & diagnose; password protected	●	
42" (1067mm) long forks	●		Electronic horn with integral relay (long life / no adjustments)	●	
Carriage with integral sideshift		●	Side extraction battery removal with rollers		●
Carriage with integral sideshifting fork positioner		●	Rapid / fast charge		●
Attachment carriages		●	Cooler/freezer package—operating temp: -20°F to +120°F		●
<b>ERGONOMICS</b>	<b>STD</b>	<b>OPT</b>	UL classification type "EE"		●
12" steering wheel with integral spinner knob	●		4-function hydraulic control valve		●
Non-suspension vinyl seat	●		86.5" grid style overhead guard		●
Black, non-cinch seat belt with emergency locking retractor	●		84.1" flat plate overhead guard		●
Foot applied / hand released park brake	●		88.5" drive-in rack grid style overhead guard		●
Foot Directional Control Pedal	●		Keyless start (with auxiliary key switch)		●
Power assist braking	●		LED and halogen work light packages		●
Auto Deceleration System with regenerative braking	●		LED dome / reading light		●
Multifunction display			Basic & premium LED brake/tail/back-up light packages		●
– Battery state of charge with low battery lift interrupt			Audible alarm – reverse operation (manually adjustable to 87, 97 or 102 dB)		●
– Hour meter			Visible amber strobe light - continuous activated, overhead guard mounted		●
– Performance mode indicator	●		Impact monitor		●
– Fault indicator			Operator password		●
– 4 operator selectable, programmable performance modes			Operator daily checklist		●
Easy ingress/egress with low step height and contoured handhold	●		System monitor – hydraulic low fluid level indicator and hydraulic filter service indicator		●
Operator convenience station – storage areas, beverage & clipboard holders	●		Hydraulic attachment extension tubes with quick disconnect fittings		●
Adjustable tilt steering column with low profile cowl	●		Fire extinguisher – 2.5 lb. dry chemical		●
Cushioned floor mat	●		Yale Vision		●
Seatside power disconnect button	●		Yale Reliant™		●
Accutouch electro-hydraulic mini-lever controls with fully adjustable armrest		●	<b>ENERGY SYSTEM</b>	<b>STD</b>	<b>OPT</b>
Non-suspension seat (cloth)		●	Lead acid	●	
Full-suspension seat (vinyl or cloth)		●	Yale Power Key		●
Full-suspension swivel seat (vinyl or cloth)		●	<b>SUPPLEMENTAL</b>	<b>STD</b>	<b>OPT</b>
Seatside directional control		●	36 Month / 6,000 hour powertrain warranty	●	
Automatic electro-mechanical park brake		●	12 Month / 2,000 hour full truck warranty	●	
Telescopic steering column with tilt memory		●	Operating manual	●	

# About Yale



Yale Lift Truck Technologies leverages over a century of material handling experience and substantial investment in innovation to bring the most advanced technology-driven lift truck solutions to market. The company offers a full line of award-winning lift trucks, including reach trucks, order pickers, turret trucks, pallet jacks and trucks, pallet stackers, tow tractors and counterbalanced forklifts, as well as powerful operator assist solutions, proven robotics and a wide range of power sources to help customers adapt to today's demanding supply chain. Yale and its independent dealer network support these solutions with comprehensive after-sales service, parts, financing and training.

## MATERIALS HANDLING FOR:

Third-party logistics (3PL)

Auto parts distribution

Beverage

Cold & frozen foods

Food distribution

Food processing

Furniture & furnishings

Government

Health & pharma

Home centers & durables


Retail & e-commerce

Yale Lift Truck Technologies  
P.O. Box 7367  
Greenville, NC 27835-7367  
U.S.A.

**yale.com**



EXPLORE MORE  
ONLINE.  
←

© 2024 Hyster-Yale Materials Handling, Inc., all rights reserved. YALE and  are trademarks of Hyster-Yale Materials Handling, Inc.

Trucks may be shown with optional equipment and/or features not available in all regions. Truck performance may be affected by the condition of the vehicle, how it is equipped and the application. Specifications are subject to change without notice. Consult your Yale® Dealer if any of the information shown is critical to your application.

CERTIFICATION: Yale lift trucks meet the design and construction requirements of B56.1-1969, per OSHA Section 1910.178(a)(2), and also comply with the B56.1 revision in effect at time of manufacture. Classified by Underwriters' Laboratories, Inc.