



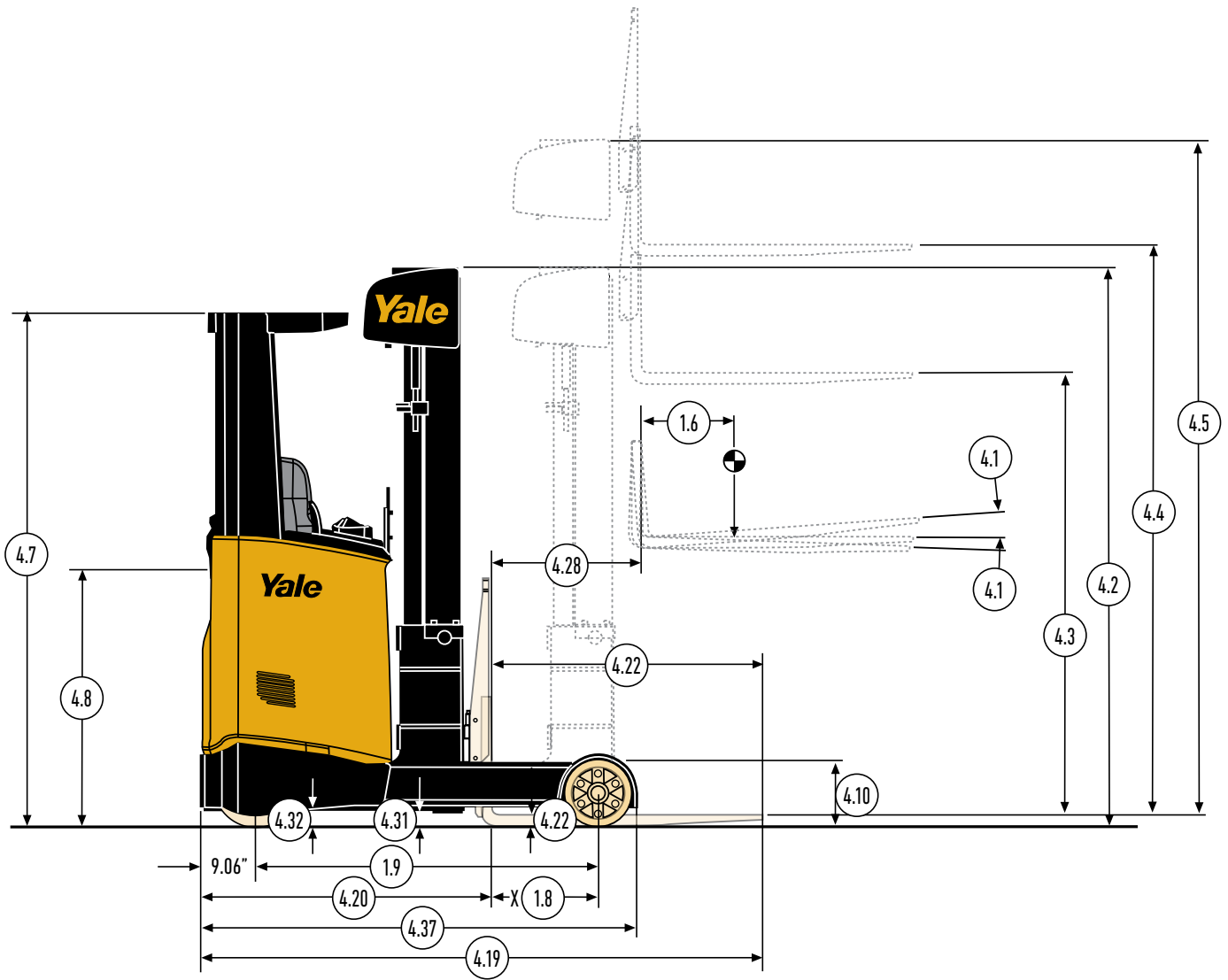
MR
14-16 961

SPEC SHEET

Indoor moving mast
reach truck

3,000-3,500 lbs.

TRUCK DIMENSIONS



$a = \text{Clearance} = 8"$
 $L6 = \text{Load length}$
 $b12 = \text{Load width}$

$$AST = Wa + R + a$$

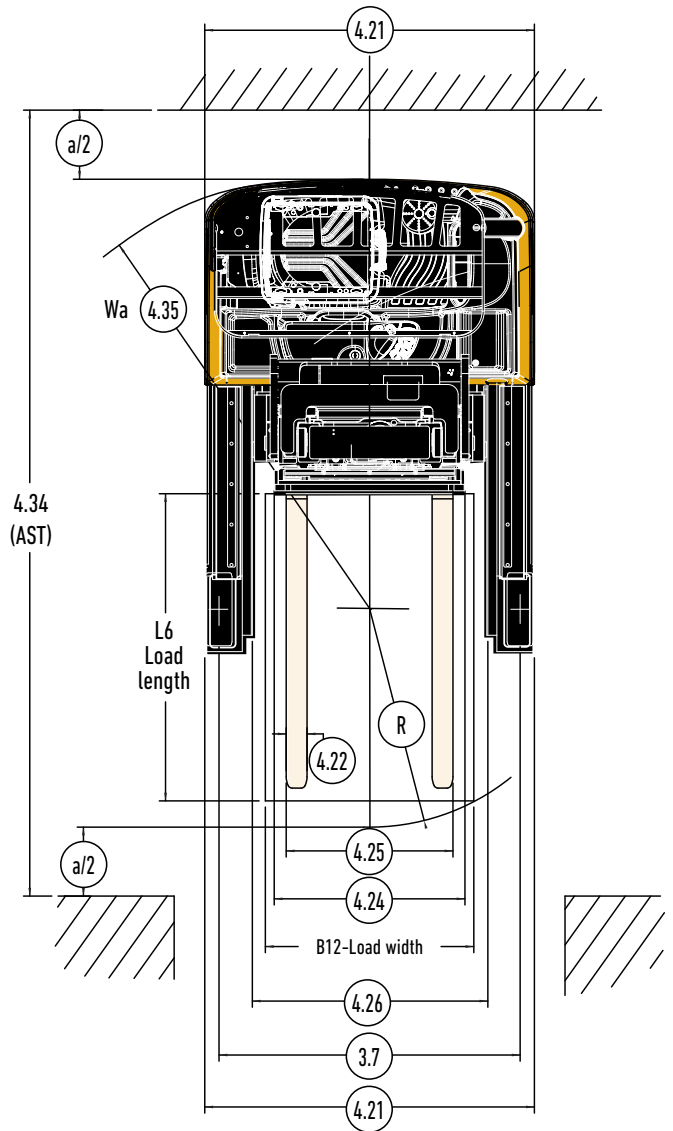
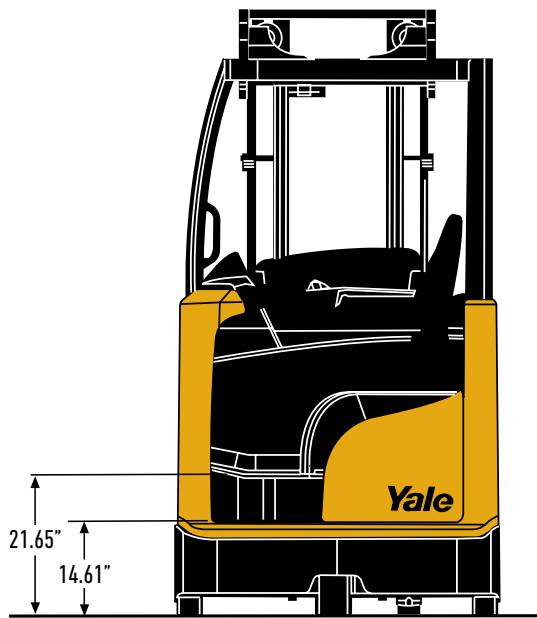
AST = Right Angle Stack

$B1 = \text{Overall Width (Operator Side)}$
 $B2 = \text{Overall Width (Mast Side)}$
 $B4 = \text{Width Inside Straddle}$

$$R = \sqrt{(l_6 - x)^2 + \left(\frac{b12}{2}\right)^2}$$

Circled dimensions correspond to the line numbers on the tabulated chart inside the spec sheet. Dimensions are in inches (millimeters).

All AST dims provided include 8" of total clearance.



a = Clearance = 8"

L_6 = Load length

b_{12} = Load width

$AST = Wa + R + a$

AST = Right Angle Stack

B_1 = Overall Width (Operator Side)

B_2 = Overall Width (Mast Side)

B_4 = Width Inside Straddle

$$R = \sqrt{(l_6 - x)^2 + \left(\frac{b_{12}}{2}\right)^2}$$

Circled dimensions correspond to the line numbers on the tabulated chart inside the spec sheet. Dimensions are in inches (millimeters).

All AST dims provided include 8" of total clearance.

GENERAL SPECIFICATIONS

GENERAL	1.1		Yale	
		Manufacturer (abbreviation)		MR14 961
	1.2	Manufacturer's type designation		
	1.3	Drive: electric, diesel, gasoline, LPG	Electric (battery)	
	1.4	Operator type	Seated	
	1.5	Rated capacity/rated load	lb. (kg)	3000 (1400) 3500 (1600)
	1.6	Load center distance	in. (mm)	24 (600)
	1.8	Load distance, center of drive axle to fork	in. (mm)	15.83 (402) 17.80 (452)
	1.9	Wheelbase	in. (mm)	55.12 (1400) 57.09 (1450)
WEIGHT	2.1	Service weight	lb. (kg)	6861 (3112) 6971 (3162)
	2.3	Axle loading, NL front/rear ⁴	lb. (kg)	4359/2502 (1977/1135) 4449/2522 (2018/1144)
	2.4	Axle loading fork advanced, RL front/rear	lb. (kg)	1504/8444 (682/3830) 1325/9176 (601/4162)
	2.5	Axle loading fork retracted, RL front/rear	lb. (kg)	3920/6030 (1778/2735) 4085/6413 (1853/2909)
WHEELS/TIRES	3.1	Tires, front/rear	NDIthane/NDIthane	
	3.2	Tire size, front	in. (mm)	13.5 x 5.5 (343 x 140)
	3.3	Tire size, rear	in. (mm)	11.2 x 3.9 (285 x 100)
	3.5	Wheels, number front/rear (x = driven wheels)	1x/2	
	3.7	Tread, rear	in. (mm)	45.47 (1155)
DIMENSIONS	4.1	Tilt of mast/fork carriage forward/backward	degrees	2/4
	4.2	Height of mast, lowered	in. (mm)	See Mast Tables
	4.3	Free lift	in. (mm)	See Mast Tables
	4.4	Lift	in. (mm)	See Mast Tables
	4.5	Height, mast extended ¹	in. (mm)	See Mast Tables
	4.7	Height of overhead guard (cabin) ^{2,9}	in. (mm)	85.63 (2175)
	4.8	Seat height relating to SIP	in. (mm)	42.60 (1082)
	4.10	Height of wheel arms	in. (mm)	12.13 (308)
	4.19	Overall length	in. (mm)	90.51 (2299)
	4.20	Length to face of forks	in. (mm)	48.39 (1229)
	4.21	Overall width ³	in. (mm)	49.80 (1265)
	4.22	Fork dimensions DIN ISO 2331	in. (mm)	1.4/3.9/42 (35/100/1070)
	4.23	Fork carriage ISO 2328, class/type A, B	2A	
	4.24	Fork carriage width	in. (mm)	27.56 (700)
	4.25	Distance between fork arms, min/max ⁷	in. (mm)	9.45/25.98 (240/660)
	4.26	Distance between wheel arms/loading surfaces	in. (mm)	35.43 (900)
	4.28	Reach distance	in. (mm)	23.03 (585) 25.0 (635)
	4.31	Ground clearance, RL, below mast	in. (mm)	2.95 (75)
	4.32	Ground clearance, center of wheelbase	in. (mm)	2.95 (75)
	4.34.1	Aisle width for pallets 39.3"x47.2" (1000mm x 1200mm) across - (L6 x b12)	in. (mm)	107.0 (2718) - See Charts 107.5 (2731) - See Charts
4.34.2	Aisle width for pallets 31.5"x47.2" (800mm x 1200mm) lengthwise - (b12 x L6)	in. (mm)	108.8 (2764) - See Charts 108.9 (2767) - See Charts	
4.35	Turning radius (Wa)	in. (mm)	65.79 (1671) 67.64 (1718)	
4.37	Length across wheel arms	in. (mm)	70.67 (1795) 72.64 (1845)	
4.42	Step height (from ground to running board)	in. (mm)	21.65 (550)	
4.43	Step height (between intermediate steps between running board and floor)	in. (mm)	14.61 (371)	
PERFORMANCE DATA	5.1	Travel speed, RL NL	mph (km/h)	6.8/6.8 (11/11)
	5.1.1	Travel speed, RL NL, backwards	mph (km/h)	6.8/6.8 (11/11)
	5.2	Lift speed, RL NL	ft/min (m/s)	72.8/124 (0.37/0.63) 63/124 (0.32/0.63)
	5.3	Lowering speed, RL/NL	ft/min (m/s)	108.3 (0.55/0.55)
	5.4	Reaching speed, RL/NL	ft/min (m/s)	29.5/29.5(0.15/0.15)
	5.7	Gradeability, RL/NL ^{6,10}	%	10/15
	5.8	Max. gradeability RL/NL ¹⁰	%	10/15
5.10	Service brake	Electric		
ELECTRIC	6.1	Drive motor, S2 60 minute rating	kW	5.4
	6.2	Lift motor, S3 15% rating	kW	9.9
	6.4	Battery voltage/nominal capacity	(V)/(Ah)	48/420 ⁵
	6.5	Battery weight ⁸	lb. (kg)	1653 (750)
	8.1	Type of drive unit	AC	
OTHER	10.1	Operating pressure for attachments	bar	180
	10.2	Oil volume for attachment	l/min	20
	10.7	Sound pressure level at the driver's seat	dB(A)	< 69.7

¹ With load backrest add 20" (MR14-MR16)

² With beacon add 4.73"

³ With load wheels lateral covers: 50.78" (MR14-MR16)

⁴ Forks retracted.

⁵ See battery tables.

⁶ Values in brackets { } are optional.

⁷ Side shift stroke is +/-2.95" on all trucks.

⁸ These values may vary of +/- 5%.

⁹ With PAL side line lights add 5.32"; With Double Work Light to Front add 8.66"

¹⁰ Gradeability grades based on motor thermal capacity, torque available and brake requirements

† NOTE: Performance specifications/ratings are for truck equipped as described under Standard Equipment in this Specification Sheet. Performance specifications are affected by the condition of the vehicle and how it is equipped, as well as by the nature and condition of the operating area. Specifications are subject to change and the proposed application should be discussed with your authorized Yale® dealer.

†† All values are nominal values and are subject to tolerances. For further information on this dimension, please contact your local Yale® dealer.

Above specifications, unless otherwise listed, are for a standard truck without optional equipment. Yale® products are subject to change without notice. Lift trucks illustrated may feature optional equipment.

Right Angle Stack (Aisle Width) - See truck dimensions for batteries chart.

RL = Rated Load, NL = No Load

MR14-16 961 MAST DETAILS, 3-STAGE FULL FREE LIFT (3000 / 3500 LBS.)

MODEL	Lift (4.4)	Free Lift (4.3)	Height of Mast Lowered (4.2)	Height of Mast Extended w/o LBR (4.5) ¹
	in. (mm)	in. (mm)	in. (mm)	in. (mm)
MR14 961, MR16 961	216 (5500)	71 (1820)	94 (2367)	239 (6063)
	236 (6000)	78 (1992)	100 (2539)	259 (6563)
	255 (6500)	85 (2164)	107 (2711)	279 (7063)
	295 (7500)	98 (2508)	121 (3055)	318 (8063)
	305 (7750)	102 (2594)	124 (3141)	328 (8313)
	314 (8000)	105 (2680)	128 (3227)	338 (8563)
	334 (8500)	112 (2852)	134 (3399)	357 (9063)
	374 (9500)	125 (3196)	148 (3753)	397 (10063)
	413 (10500)	139 (3540)	162 (4097)	436 (11063)

¹ With load backrest 39.37" height, add 20"; with load backrest 59.06" height, add 39.69".

MR14 961 TRUCK DIMENSIONS FOR BATTERIES

1.8	Load distance, center of drive axle to fork	in. (mm)	15.81 (402)	12.97 (330)	15.81 (402)	12.97 (330)	10.14 (258)	10.14 (258)
1.9	Wheelbase	in. (mm)	55.12 (1400)	55.12 (1400)	55.12 (1400)	55.12 (1400)	55.12 (1400)	55.12 (1400)
2.1	Service weight	lb. (kg)	6861 (3112)	7295 (3309)	6861 (3112)	7319 (3320)	7705 (3495)	7807 (3541)
2.3	Axle loading, NL front/rear ⁵	lb. (kg)	4359/ 2502 (1977/1135)	4464/ 2833 (2025/1285)	4359/ 2502 (1977/1135)	4480/ 2842 (2032/1289)	*4530/ 3175 (2055/1440)*	4594/ 3212 (2084/1457)
2.4	Axle loading fork advanced, RL front/rear	lb. (kg)	1504/ 8444 (682/3830)	1746/ 8636 (792/3917)	1504/ 8444 (682/3830)	1764/ 8644 (800/3921)	*1951/ 8841 (885/4010)*	2015/ 8878 (914/4027)
2.5	Axle loading fork retracted, RL front/rear	lb. (kg)	3920/ 6030 (1778/2735)	3865/ 6517 (1753/2956)	3920/ 6030 (1778/2735)	3880/ 6526 (1760/2960)	*3772/ 7020 (1711/3184)*	3838/ 7057 (1741/3201)
4.19	Overall length	in. (mm)	90.51 (2299)	93.35 (2371)	90.51 (2299)	93.35 (2371)	96.18 (2443)	96.18 (2443)
4.20	Length to face of forks	in. (mm)	48.37 (1229)	51.20 (1301)	48.37 (1229)	51.20 (1301)	54.04 (1373)	54.04 (1373)
4.28	Reach distance	in. (mm)	23.03 (585)	20.20 (513)	23.03 (585)	20.20 (513)	17.36 (441)	17.36 (441)
4.34.1	Aisle width for pallets 39.3"x47.2" (1000mm x 1200mm) across - (L6 x b12)	in. (mm)	107.01 (2718)	109.09 (2771)	107.01 (2718)	109.09 (2771)	111.34 (2828)	111.26 (2826)
4.34.2	Aisle width for pallets 31.5"x47.2" (800mm x 1200mm) lengthwise - (b12 x L6)	in. (mm)	108.82 (2764)	111.38 (2829)	108.82 (2764)	111.38 (2829)	113.98 (2895)	113.98 (2895)
4.34.3	Aisle width for pallets 40" x 48" lengthwise (b12 x L6)	in. (mm)	111.54 (2833)	113.97 (2895)	111.54 (2833)	113.97 (2895)	116.46 (2958)	116.46 (2958)
4.34.4	Aisle width for pallets 48" x 48" (b12 x L6)	in. (mm)	113.82 (2891)	116.13 (2950)	113.82 (2891)	116.13 (2950)	118.49 (3010)	118.49 (3010)
4.34.5	Aisle width for pallets 48" x 40" across (b12 x L6)	in. (mm)	107.74 (2737)	109.81 (2789)	107.74 (2737)	109.81 (2789)	111.97 (2844)	111.97 (2844)
4.35	Turning radius	in. (mm)	65.79 (1671)	65.79 (1671)	65.79 (1671)	65.79 (1671)	65.79 (1671)	65.79 (1671)
6.3	Battery according to DIN 43531/35/36 A,B,C, no (reference only)		C	C	C "Super"	C "Super"	C	C "Super"
6.4	Battery voltage/nominal capacity	V/Ah	48/420	48/560	48/465	48/620	48/700	48/775
6.5	Battery weight ⁴	lb. (kg)	1653 (750)	2070 (939)	1653 (750)	2094 (950)	2467 (1119)	2568 (1165)

⁴ These values may vary of +/- 5%.

⁵ Forks retracted.

RL = Rated Load, NL = No Load

All weights (2.1 to 2.5) are with lowest mast and standard forks.

MR16 961 TRUCK DIMENSIONS FOR BATTERIES

1.8	Load distance, center of drive axle to fork	in. (mm)	17.78 (452)	14.94 (380)	17.78 (452)	14.94 (380)	12.11 (308)	12.11 (308)
1.9	Wheelbase	in. (mm)	57.09 (1450)	57.09 (1450)	57.09 (1450)	57.09 (1450)	57.09 (1450)	57.09 (1450)
2.1	Service weight	lb. (kg)	6971 (3162)	7408 (3360)	6971 (3162)	7432 (3371)	7818 (3546)	7919 (3592)
2.3	Axle loading, NL front/rear ⁵	lb. (kg)	4449/2522 (2018/1144)	4561/2846 (2069/1291)	4449/2522 (2018/1144)	4579/2853 (2077/1294)	*4636/3181 (2103/1443)*	4702/3217 (2133/1459)
2.4	Axle loading fork advanced, RL front/rear	lb. (kg)	1325/9176 (601/4162)	1574/9361 (714/4246)	1325/9176 (601/4162)	1590/9370 (721/4250)	*1786/9559 (810/4336)*	1850/9595 (839/4352)
2.5	Axle loading fork retracted, RL front/rear	lb. (kg)	4085/6413 (1853/2909)	4023/6911 (1825/3135)	4085/6413 (1853/2909)	4039/6920 (1832/3139)	*3922/7423 (1779/3367)*	3988/7458 (1809/3383)
4.19	Overall length	in. (mm)	90.51 (2299)	93.35 (2371)	90.51 (2299)	93.35 (2371)	96.18 (2443)	96.18 (2443)
4.20	Length to face of forks	in. (mm)	48.37 (1229)	51.20 (1301)	48.37 (1229)	51.20 (1301)	54.04 (1373)	54.04 (1373)
4.28	Reach distance	in. (mm)	25.00 (635)	22.17 (563)	25.00 (635)	22.17 (563)	19.33 (491)	19.33 (491)
4.34.1	Aisle width for pallets 39.3"x47.2" (1000mm x 1200mm) across - (L6 x b12)	in. (mm)	107.52 (2731)	109.49 (2781)	107.52 (2731)	109.49 (2781)	111.57 (2834)	111.57 (2834)
4.34.2	Aisle width for pallets 31.5"x47.2" (800mm x 1200mm) lengthwise - (b12 x L6)	in. (mm)	108.94 (2767)	111.42 (2830)	108.94 (2767)	111.42 (2830)	114.02 (2896)	114.02 (2896)
4.34.3	Aisle width for pallets 40" x 48" lengthwise (b12 x L6)	in. (mm)	111.73 (2838)	114.13 (2899)	111.73 (2838)	114.13 (2899)	116.58 (2961)	116.58 (2961)
4.34.4	Aisle width for pallets 48" x 48" (b12 x L6)	in. (mm)	114.10 (2898)	116.37 (2956)	114.10 (2898)	116.37 (2956)	118.69 (3015)	118.69 (3015)
4.34.5	Aisle width for pallets 48" x 40" across (b12 x L6)	in. (mm)	108.22 (2749)	110.21 (2799)	108.22 (2749)	110.21 (2799)	112.31 (2853)	112.31 (2853)
4.35	Turning radius	in. (mm)	67.64 (1718)	67.64 (1718)	67.64 (1718)	67.64 (1718)	67.64 (1718)	67.64 (1718)
6.3	Battery according to DIN 43531/35/36 A,B,C, no (reference only)		C	C	C "Super"	C "Super"	C	C "Super"
6.4	Battery voltage/nominal capacity	V/Ah	48/420	48/560	48/465	48/620	48/700	48/775
6.5	Battery weight ⁴	lb. (kg)	1653 (750)	2070 (939)	1653 (750)	2094 (950)	2467 (1119)	2568 (1165)

⁴ These values may vary of +/- 5%.

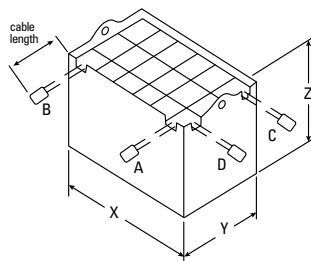
RL = Rated Load, NL = No Load

⁵ Forks retracted.

All weights (2.1 to 2.5) are with lowest mast and standard forks.

MR14-16 961 TRUCK DIMENSIONS FOR BATTERIES

TRUCK MODEL	Compartment dimensions-max.			Battery dimensions-max.			Volts	No. of cells	Amp hr Capacity range	Weight	
	Width	Length	Height	X	Y	Z				Min	Max
	in (mm)	in (mm)	in (mm)	in (mm)	in (mm)	in (mm)				lb (kg)	lb (kg)
				+0"/-0.12" (+0/-3)	+0"/-0.12" (+0/-3)	+0"/-0.08" (+0/-2)					
MR14 961 - 3,000lb	48.15 (1223)	11.26 (286)	30.94 (786)	48.11 (1222)	11.14 (283)	30.87 (784)	48	24	420-465	1572 (713)	1737 (788)
MR14 961 - 3,000lb	48.15 (1223)	14.09 (358)	30.94 (786)	48.11 (1222)	13.98 (355)	30.87 (784)	48	24	560-620	1967 (892)	2200 (998)
MR14 961 - 3,000lb	48.15 (1223)	16.93 (430)	30.94 (786)	48.11 (1222)	16.81 (427)	30.87 (784)	48	24	700-775	2344 (1063)	2696 (1223)
MR16 961 - 3,500lb	48.15 (1223)	11.26 (286)	30.94 (786)	48.11 (1222)	11.14 (283)	30.87 (784)	48	24	420-465	1572 (713)	1737 (788)
MR16 961 - 3,500lb	48.15 (1223)	14.09 (358)	30.94 (786)	48.11 (1222)	13.98 (355)	30.87 (784)	48	24	560-620	1967 (892)	2200 (998)
MR16 961 - 3,500lb	48.15 (1223)	16.93 (430)	30.94 (786)	48.11 (1222)	16.81 (427)	30.87 (784)	48	24	700-775	2344 (1063)	2696 (1223)



Battery compartment length is measured from front to rear.

Battery compartment width is measured across the truck.

Battery cover - not needed

FEATURES LIST

PERFORMANCE	STD	OPT	OPERATION	STD	OPT
6.8mph Travel speed (MR14,MR16)	•		180 degree steering	•	
Height pre-selector (with/without pallet detection device)		•	Keyless access		•
DRIVE	STD	OPT	360 degree steering		•
Top/front load wheel protection	•		Clipboard		•
LIFT	STD	OPT	High temperature environment		•
3-stage mast/tilting carriage	•		Side battery change - battery tray rollers		•
HANDLING	STD	OPT	Audible alarm (forks leading)		•
Accutouch mini-levers hydraulic controls	•		Load backrest (39.4" (1000mm))		•
Simultaneous lift / reach functionality	•		Cold storage (-22 deg F (-30 deg C))		•
Lift comfort package		•	Pedestrian awareness lights (spotlight chassis direction - forks trailing)		•
ERGONOMICS	STD	OPT			
Intermediate step	•				
Grab handle on overhead guard and under armrest	•				
Adjustable length armrest	•				
Full suspension seat	•				
Standard display	•				
Adjustable steering column	•				
Premium touch screen display		•			
Amber strobe		•			
Work lights (mast side)		•			
Work lights (driver side)		•			

About Yale



Yale Lift Truck Technologies leverages over a century of material handling experience and substantial investment in innovation to bring the most advanced technology-driven lift truck solutions to market. The company offers a full line of award-winning lift trucks, including reach trucks, order pickers, turret trucks, pallet jacks and trucks, pallet stackers, tow tractors and counterbalanced forklifts, as well as powerful operator assist solutions, proven robotics and a wide range of power sources to help customers adapt to today's demanding supply chain. Yale and its independent dealer network support these solutions with comprehensive after-sales service, parts, financing and training.

MATERIALS HANDLING FOR:

Third-party logistics (3PL)

Auto parts distribution

Beverage

Cold & frozen foods

Food distribution

Food processing

Furniture & furnishings

Government

Health & pharma


Home centers & durables

Retail & e-commerce

Yale Lift Truck Technologies
P.O. Box 7367
Greenville, NC 27835-7367
U.S.A.

yale.com



© 2024 Hyster-Yale Group, Inc., all rights reserved. YALE and  are trademarks of Hyster-Yale Group, Inc.

Trucks may be shown with optional equipment and/or features not available in all regions. Truck performance may be affected by the condition of the vehicle, how it is equipped and the application. Specifications are subject to change without notice. Consult your Yale® Dealer if any of the information shown is critical to your application.

CERTIFICATION: Yale lift trucks meet the design and construction requirements of B56.1-1969, per OSHA Section 1910.178(a)(2), and also comply with the B56.1 revision in effect at time of manufacture. Classified by Underwriters' Laboratories, Inc.