



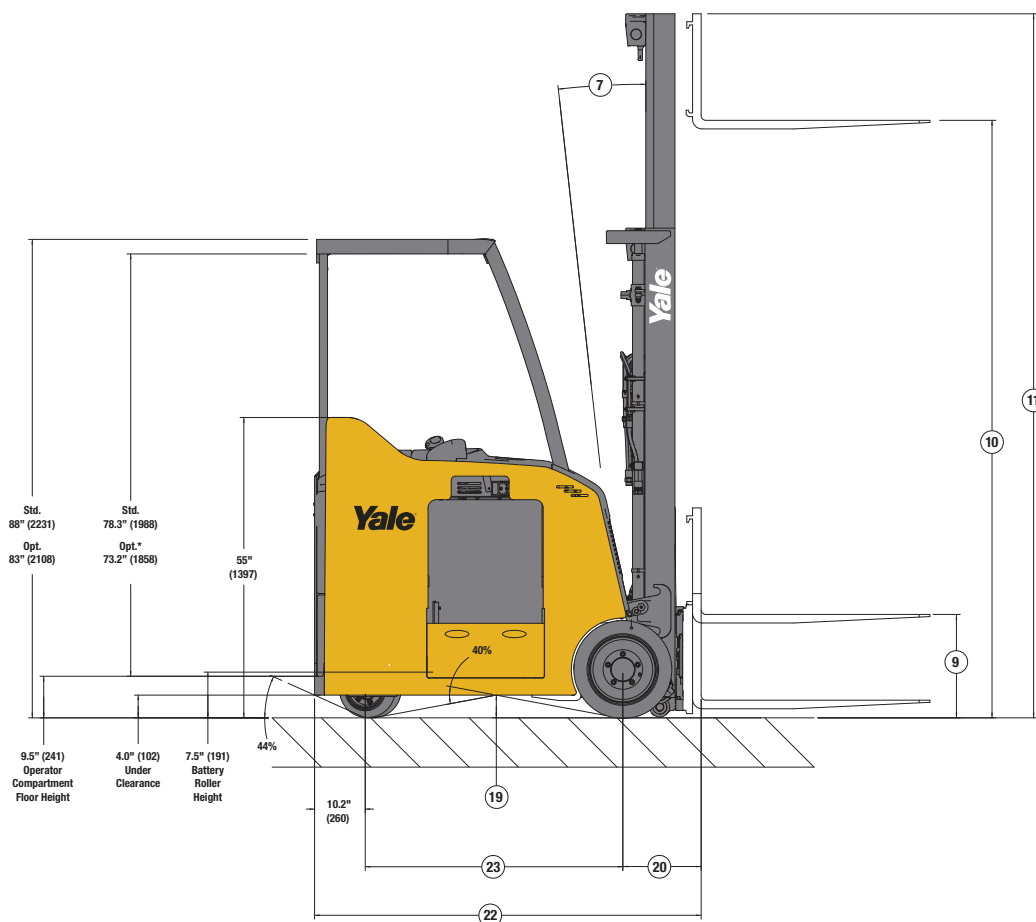
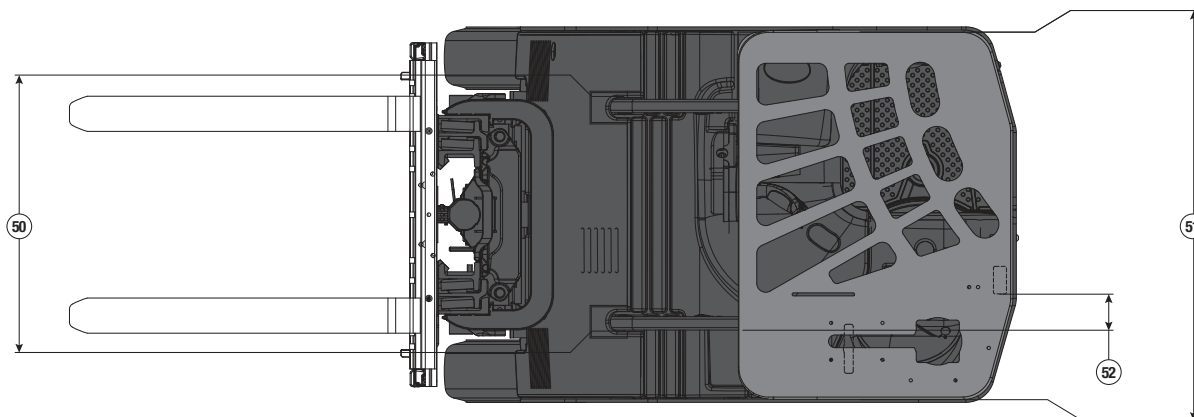
ESC 030-040AD

SPEC SHEET

3-wheel stand-up electric counterbalanced forklift

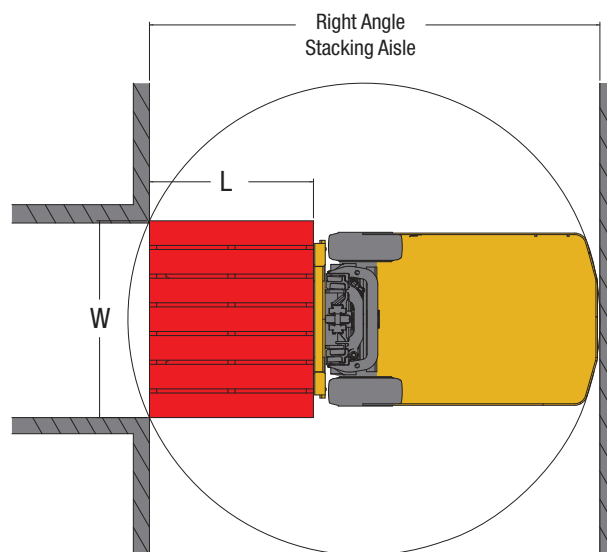
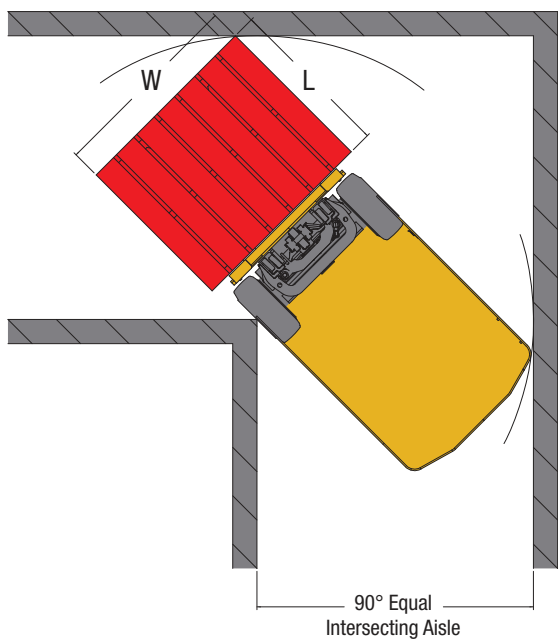
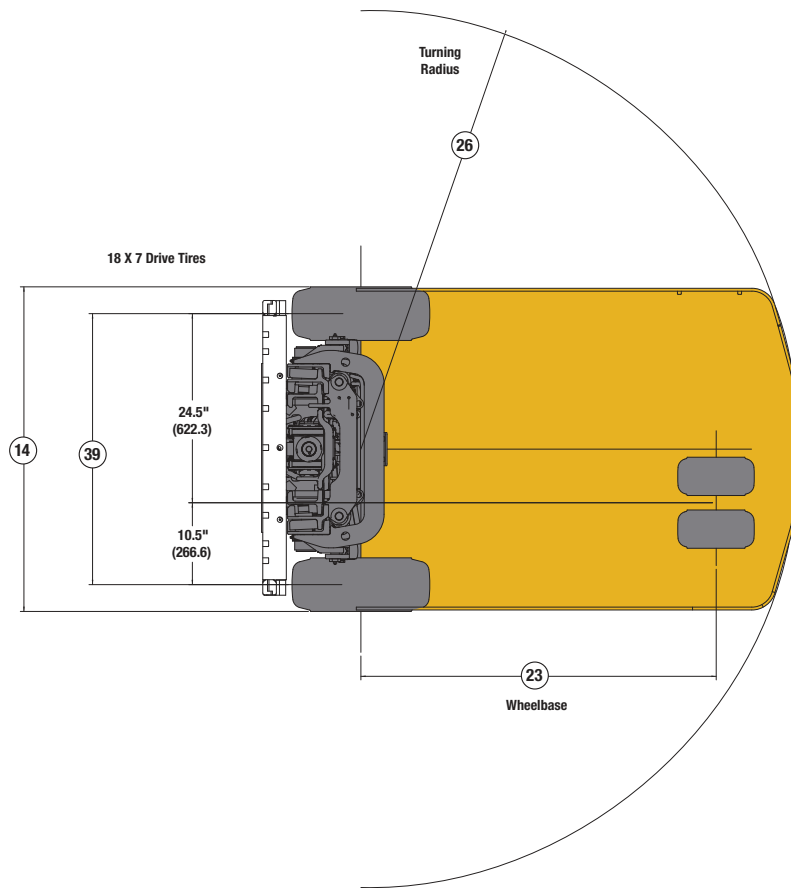
3,000-4,000 lbs.

TRUCK DIMENSIONS - ESC030-040AD



* Measurement assumes zero compression of floor plate suspension spring, which varies depending on operator weight (typical 1/2" deflection could be assumed for increased operator height clearance).

Circled dimensions correspond to the line numbers in the General Specifications chart. Dimensions are listed in inches (millimeters).



Circled dimensions correspond to the line numbers in the General Specifications chart. Dimensions are listed in inches (millimeters).

GENERAL SPECIFICATIONS - ESC030AD

GENERAL	1	Manufacturer		Yale				
	2	Model designation		ESC030AD				
	3	Power/voltage		Electric/36 volts				
	4	Operation type		Stand				
	5	Rated capacity	lb. (kg)	3000 (1361)				
	6	Load center	in. (mm)	24 (609)				
DIMENSIONS	7	Mast tilt std	Opt	degrees	5F/5B (10F/5B)			
	8	Mast	Lowered height (std mast)		in. (mm) 84 (2130)			
	9	Free lift – top of fork (std 2-stage limited free lift (LFF) mast)		in. (mm)	5 (140)			
	9a	Free lift – top of fork (opt 2-stage full free lift (FFL) mast w/wo LBR)		in. (mm)	33/61 (860/1555)			
	10	Lift height	Top of fork (std 2-stage LFL mast)		in. (mm)	131 (3332)		
	11	Mast	Extended height (std mast with/without LBR)		in. (mm)	180/154 (4555/3912)		
	12	Overhead guard height	Std/opt		in. (mm)	88/83 (2234/2108)		
	13	Grade clearance		%	40			
	14	Overall width		in. (mm)	42 (1067)			
	15	Forks	Thickness x width x length		in. (mm)	1.5 x 4 x 42 (38 x 102 x 1067)		
	16	Standard carriage width	Class II		in. (mm)	38.5 (978)		
	17	Floor to top of battery rollers		in. (mm)	7.5 (190)			
	19	Ground clearance	Center of wheelbase) NL		in. (mm)	4 (102)		
	20	Load distance	3-Stage FFL Clear View™ mast †		in. (mm)	12.8 (327)		
	20a	ctr of wheel to face of forks)	2-Stage LFL/FFL, 3-stage FFL Hi-Vis™ mast ††		in. (mm)	12.6 (321)		
	20b		4-Stage mast †††		in. (mm)	N/A	N/A	18.3 (464)
	21	Battery compartment	Height		in. (mm)	31.1 (790)		
	21a		Length		in. (mm)	13.8 (352)	16.0 (408)	18.3 (464)
	21b		Width	Nominal	size	38"		
	21c		Width	Actual	in. (mm)	38.6 (980)		
	22	Length to face of forks ^Δ		in. (mm)	62.3 (1583)	64.5 (1639)	66.7 (1695)	
	23	Wheelbase		in. (mm)	39.4 (1001)	41.6 (1057)	43.8 (1113)	
	24	Aisle width ^{ΔA}		in. (mm)	111.3 (2827)	113.4 (2880)	115.5 (2934)	
	25	Equal aisle, 90° intersecting aisle ^{ΔA}		in. (mm)	68.0 (1728)	68.5 (1740)	69.0 (1752)	
	26	Turning radius ^Δ		in. (mm)	50.7 (1289)	52.8 (1341)	54.9 (1395)	
	PERFORMANCE	27	Travel speed		NL/RL	mph (km/h)	7.2/7.2 (11.6/11.6)	
28		Lift speed	Std 2-stage LFL mast	NL/RL	ft/min (m/sec)	87/59 (0.44/0.30)		
28a			Opt 2-stage FFL mast	NL/RL	ft/min (m/sec)	87/59 (0.44/0.30)		
28b			Opt 3-stage FFL Clear View™ mast	NL/RL	ft/min (m/sec)	99/69 (0.50/0.35)		
28c			Opt 3-stage FFL mast	NL/RL	ft/min (m/sec)	83/65 (0.42/0.33)		
28d		Opt 4-stage FFL mast	NL/RL	ft/min (m/sec)	N/A	N/A	113/79 (0.57/0.40)	
29		Lower speed	Std 2-stage LFL mast	NL/RL	ft/min (m/sec)	63/100 (0.32/0.51)		
29a			Opt 2-stage FFL mast	NL/RL	ft/min (m/sec)	61/98 (0.31/0.50)		
29b			Opt 3-stage FFL Clear View™ mast	NL/RL	ft/min (m/sec)	71/102 (0.36/0.52)		
29c			Opt 3-stage FFL mast	NL/RL	ft/min (m/sec)	71/88 (0.36/0.45)		
29d			Opt 4-stage FFL mast	NL/RL	ft/min (m/sec)	N/A	N/A	86/100 (0.44/0.51)
30		Gradeability		5 minute rating	NL/RL	%	15.0/15.0	
31		Drawbar pull		5 minute rating	NL/RL	lbf	2602/2356	
32		Brake	Method of control		Spring apply/elec. released			
32a	Method of operation		Foot					
WT.	33	Truck weight		Without battery	NL	lb. (kg)	6353 (2882) 6373 (2891) 6263 (2841)	
	34	Axle loading – drive		Static with max. wt. battery	NL/RL	lb. (kg)	3991/9149 (1810/4150) 4080/9107 (1851/4131) 4260/9765 (1932/4429)	
	35	Axle loading – steer		Static with max. wt. battery	NL/RL	lb. (kg)	4462/2304 (2024/1045) 4572/2545 (2074/1154) 4702/2198 (2133/997)	
TIRE/ WHEELS	36	Tire type		Rubber, polyurethane etc. (drive/steer)				
	37	Tire size		Drive/steer	in.	18 x 7 - 12.1/10 x 5 - 6.5		
	38	Wheels – number (X=driven) drive/steer		2X/2				
	39	Tread (tires) std dr/steer/steer		in. (mm)	35/10.5/24.5 (889/267/622)			
BATTERY	40	Battery		Type	Lead acid Thin Plate Pure Lead ^Δ Lithium-ion ^Δ			
	40a			Volts	36			
	40b			Minimum weight	lb. (kg)	1700 (771)	1980 (898) 2300 (1043)	
MOTORS	41	Traction motors (dual) 60 minute rating each		hp (kW)	6.4 (4.8)			
	42	Pump motor 15 minute rating		hp (kW)	16.1 (12)			
	43	Traction motors		Type/control method	AC/Transistor			
	44	Pump motor		Type/control method	AC/Transistor			
	45	Number of speeds		Traction & pump	Infinitely variable			
OTHER	46	Step height		in. (mm)	9.5 (241)			
	47	Attachment relief pressure		psi (bar)	2000 (138)			
	49	Sound level		measured per ANSI B56.11.5	dB (A)	69		
	50	Front leg width		in. (mm)	25.8 (656)			
	51	Canopy width		in. (mm)	41.3 (10500)			
52	Rear leg offset**		in. (mm)	3.4 (85.8)				

Specifications, unless otherwise listed, are for a standard truck without optional equipment.

RL = rated load, NL = no load

Δ Optional with Yale Power Key

*Right angle stack and equal intersecting aisle dimensions provided with a 48" long and 40" wide pallet load, 2-stage LFL mast with standard carriage, allowing zero clearance.

Δ External mounted operator sensing system egress option will increase length of truck by 1.9" (48mm)

RAS = Turn radius + load distance + load length + clearance

† 3-stage FFL Clear View™ mast add 1.8" for S/S

†† 2-stage LFL/2 stage-FFL/3-stage FFL Hi-Vis™ mast add 1.7" for S/S

††† 4-stage FFL mast add 1.4" for S/S

** Rear leg dimension does not include optional equipment such as work lights, visible alarms or Telemetry, which may reduce clearance.

GENERAL SPECIFICATIONS - ESC035-040AD

GENERAL		1		Yale		
		Manufacturer		ESC035AD	ESC035AD	ESC040AD
GENERAL		2		Model designation		
		3		Power/voltage		
		4		Operation type		
		5		Rated capacity		
		6		Load center		
		DIMENSIONS		7		Mast tilt std
8				Mast		
9				Free lift – top of fork (std 2-stage limited free lift (LFF) mast)		
9a				Free lift – top of fork (opt 2-stage full free lift (FFL) mast w/wo LBR)		
10				Lift height		
11				Mast		
12				Overhead guard height		
13				Grade clearance		
14				Overall width		
15				Forks		
16				Standard carriage width		
17				Floor to top of battery rollers		
19				Ground clearance (center of wheelbase) NL		
20				Load distance		
20a				(ctr of wheel to		
20b				face of forks)		
21				Mast		
21a				Battery compartment		
21b				Battery compartment		
21c				Battery compartment		
22				Length to face of forks ^Δ		
23				Wheelbase		
24				Aisle width ^Δ		
25				Equal aisle, 90° intersecting aisle ^Δ		
26				Turning radius ^Δ		
PERFORMANCE				27		Travel speed
		28		Std 2-stage LFL mast		
		28a		Opt 2-stage FFL mast		
		28b		Lift speed		
		28c		Opt 3-stage FFL Clear View™ mast		
		28d		Opt 4-stage FFL mast		
		29		Std 2-stage LFL mast		
		29a		Opt 2-stage FFL mast		
		29b		Opt 3-stage FFL Clear View™ mast		
		29c		Opt 3-stage FFL mast		
		29d		Opt 4-stage FFL mast		
		30		Gradeability		
		31		Drawbar pull		
		32		Brake		
32a		Brake				
WT.		33		Truck weight		
		34		Axle loading – drive		
		35		Axle loading – steer		
TIRE/WHEELS		36		Tire type		
		37		Tire size		
		38		Wheels – number (X=driven) drive/steer		
		39		Tread (tires) std dr/steer		
BATTERY		40		Battery		
		40a		Type		
		40b		Minimum weight		
MOTORS		41		Traction motors (dual) 60 minute rating each		
		42		Pump motor 15 minute rating		
		43		Traction motors		
		44		Pump motor		
		45		Number of speeds		
OTHER		46		Step height		
		47		Attachment relief pressure		
		49		Sound level		
		50		Front leg width		
		51		Canopy width		
		52		Rear leg offset**		

Specifications, unless otherwise listed, are for a standard truck without optional equipment.

RL = rated load, NL = no load

Δ Optional with Yale Power Key

*Right angle stack and equal intersecting aisle dimensions provided with a 48" long and 40" wide pallet load, 2-stage LFL mast with standard carriage, allowing zero clearance.

Δ External mounted operator sensing system egress option will increase length of truck by 1.9" (48mm)

RAS = Turn radius + load distance + load length + clearance

† 3-stage FFL Clear View™ mast add 1.8" for S/S

†† 2-stage LFL/2 stage-FFL/3-stage FFL Hi-Vis™ mast add 1.7" for S/S

††† 4-stage FFL mast add 1.4" for S/S

** Rear leg dimension does not include optional equipment such as work lights, visible alarms or Telemetry, which may reduce clearance.

MAST DIMENSIONS - ESC030-040AD

Maximum fork height in. (mm)	Overall lowered height in. (mm)	Overall extended height		Free lift (TOF)	
		w/Load backrest in. (mm)	w/o Load backrest in. (mm)	w/Load backrest in. (mm)	w/o Load backrest in. (mm)
2-STAGE LIMITED FREE LIFT (LFL) HI-VIS™ MAST (3000-4000 LB)					
131 (3332)	84 (2130)	180 (4562)	154 (3906)	5 (140)	5 (140)
139 (3532)	88 (2230)	188 (4762)	162 (4106)	5 (140)	5 (140)
2-STAGE FULL FREE LIFT (FFL) HI-VIS™ MAST (3000-4000 LB)					
40 (1018)	48 (1220)	90 (2286)	75 (1905)	0 (0)	12 (305)
130 (3318)	84 (2130)	180 (4568)	154 (3913)	35 (900)	61 (1555)
138 (3518)	88 (2230)	188 (4768)	162 (4113)	39 (1000)	65 (1655)
3-STAGE (FFL) (CLEAR VIEW™) MAST (3000 LB ONLY)					
157 (4000)	74 (1880)	206 (5229)	178 (4521)	25 (635)	53 (1346)
192 (4900)	86 (2180)	242 (6129)	213 (5410)	37 (940)	65 (1651)
198 (5050)	90 (2280)	248 (6279)	219 (5563)	41 (1041)	69 (1753)
210 (5350)	94 (2380)	259 (6579)	231 (5867)	45 (1143)	73 (1854)
216 (5500)	96 (2430)	265 (6726)	237 (6020)	47 (1194)	75 (1905)
3-STAGE (FFL) HI-VIS™ MAST (3000-4000 LB)					
187 (4750)	82 (2080)	236 (5980)	210 (5325)	33 (850)	59 (1505)
192 (4900)	84 (2230)	238 (6030)	212 (5375)	35 (900)	61 (1555)
198 (5050)	88 (2230)	248 (6280)	221 (5625)	39 (1000)	65 (1655)
222 (5650)	98 (2480)	271 (6880)	245 (6225)	49 (1250)	75 (1905)
228 (5800)	100 (2530)	277 (7030)	251 (6375)	51 (1300)	77 (1955)
4-STAGE (FFL) MAST					
241 (6121)*	84 (2121)	289 (7340)	264 (6708)	37 (935)	60 (1524)
259 (6578)*	90 (2273)	306 (7772)	282 (7165)	43 (1087)	65 (1651)
283 (7188)†	99 (2502)	331 (8407)	306 (7775)	52 (1316)	74 (1880)

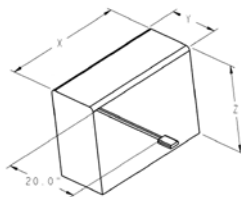
* Available on 3000 / 3500 / 4000 lb trucks with 18.3" or 20.8" battery compartment only

† Available on 3500 / 4000 lb trucks with 20.8" battery compartment only

BATTERY & COMPARTMENT SPECIFICATIONS - ESC030-040AD

Truck Model	Compartment dim.			Battery dim - max			Volts	No. of cells	Plates per cell	Max capacity	Weight	
	Width	Length	Height	"X"	"Y"	"Z"				6 Hr rate	Min	Max
	in. (mm)			in. (mm)						amp hr (kwh)	lb. (kg)	
ESC030AD standard 13.8" compartment	38.6 (980)	13.8 (351)	31.1 (790)	38.5 (978)	13.4 (340)	31 (787)	36	18	11	775 (27.1)	1700 (771)	2000 (907)
ESC030AD standard 16.0" compartment	38.6 (980)	16.0 (407)	31.1 (790)	38.5 (978)	15.6 (397)	31 (787)	36	18	13	930 (32.5)	1980 (898)	2300 (1043)
ESC030AD standard 18.3" compartment	38.6 (980)	18.3 (465)	31.1 (790)	38.5 (978)	17.9 (455)	31 (787)	36	18	15	1085 (37.9)	2300 (1043)	2700 (1225)
ESC035AD standard 18.3" compartment	38.6 (980)	18.3 (465)	31.1 (790)	38.5 (978)	17.9 (455)	31 (787)	36	18	15	1085 (37.9)	2300 (1043)	2700 (1225)
ESC035AD optional 20.8" compartment	38.6 (980)	20.8 (528)	31.1 (790)	38.5 (978)	20.4 (518)	31 (787)	36	18	17	1240 (43.3)	2500 (1152)	3050 (1383)
ESC040AD standard 20.8" compartment	38.6 (980)	20.8 (528)	31.1 (790)	38.5 (978)	20.4 (518)	31 (787)	36	18	17	1240 (43.3)	2695 (1222)	3050 (1383)
ESC040AD optional 18.3" compartment*	38.6 (980)	18.3 (465)	31.1 (790)	38.5 (978)	17.9 (455)	31 (787)	36	18	15	1085 (37.9)	2300 (1043)	2700 (1225)

Battery compartment length is measured from front to rear.
 Battery compartment width is measured across the truck.
 Battery connector: 350 Amp / 36 Volt.
 Battery lead: Length 20" (508 mm) "B" position.
 * 20.8" battery compartment with a 3.0" spacer to accommodate an 18" battery.



FEATURES LIST

PERFORMANCE	STD	OPT	OPERATION	STD	OPT
36-Volt battery (includes 350 amp gray battery connector)	●		Standard construction	●	
Yale® iSi Technology™ control system	●		UL Classification E	●	
AC transistor controlled hydraulics	●		Sidestance operator controls	●	
Return to set tilt	●		Key switch start	●	
DRIVE	STD	OPT	Automotive steering	●	
Drive tires - 18" x 7" x 12.1" - smooth rubber black (67 durometer) (ESC030-035AD)	●		Static strap	●	
Drive tires - 18" x 7" x 12.1" - polyurethane (92 durometer)	●		Electronic horn	●	
Steer tires - 10" x 5" x 6.5" - polyurethane - smooth (92 durometer)	●		Sealed battery rollers	●	
Various drive & steer tire types		●	88" Drive in rack overhead guard (flat plate)	●	
LIFT	STD	OPT	Power disconnect button	●	
Rugged Hi-Vis™ mast design	●		Multifunction display	●	
38.5" (977mm) Wide - class II - hook type carriage	●		Keyless start		●
Tilt (5° fwd, 5° back)	●		Battery gate interlock		●
48" High load backrest extension	●		Cooler/freezer construction (0°F to 120°F) with rubber floor mat	●	
3 Function (1 auxiliary) hydraulic control valve	●		SubZero freezer construction (operating temperatures -40°F to 120°F) with rubber floor mat		●
Tilt (10° fwd, 5° back)		●	Audible back-up and motion alarms		●
Integral sideshift		●	Visible amber strobe light - continuous activated		●
Integral sideshifting fork positioner		●	Fire extinguisher		●
Reduced speed tilt		●	RF terminal bracket		●
Tilt interlock		●	RF handheld scanner holder		●
Hydraulic attachment extension tubes with and without quick disconnect fittings		●	12 Volt DC/DC converter - 25 amps / 300 watts		●
Various 4-stage mast heights (quad mast)		●	Less OHG ¹		●
Truckers style mast (2-stage FFL)		●	Rear operator compartment door (SPED) ²		●
Various load backrest heights (SPED)		●	OSS externally-mounted egress sensor (SPED)		●
HANDLING	STD	OPT	Storage utility tray (SPED)		●
Forks: 1.5" x 4.0" (38 mm x 102 mm) 42"(1067 mm) class II, hook type - standard taper	●		Red line zone lights – left/right side - continuous operation (SPED)		●
Fully proportional lift/lower control	●		Blue LED spotlight, rear mounted and reverse activated (SPED)		●
Multifunction control handle with simultaneous hydraulic functions	●		Yale Vision		●
Various fork lengths		●	Yale Reliant™		●
ERGONOMICS	STD	OPT	ENERGY SYSTEM	STD	OPT
Yale Smart Operator sensing system	●		Lead acid	●	
Yale Smart Ride® floor (full suspension floor)	●		Yale Power Key		●
Low profile anti-fatigue floor mat	●		SUPPLEMENTAL	STD	OPT
Low step height	●		12 Month / unlimited hours full truck warranty	●	
Fully padded operator compartment	●		36 Month / 6,000 hour powertrain warranty	●	
Operator overhead fan		●	Lifetime frame warranty	●	
Dual headlights (LED or halogen / mast mounted or overhead guard mounted)		●	Operating manual	●	
Rear LED worklight (LED or halogen)		●	Parts manuals		●
Operator LED desktop light		●			
Adjustable armrest (SPED)		●			

¹ Requires dealer/customer verification confirming that the application meets ANSI/ITSDF B56.1 Section 4.5.1.4. A truck without an overhead guard cannot be used where there is risk of stacked loads falling on the driver. Contact Applications Engineering for additional details. NOTE: Special Chassis mounted headlights, work light and strobe light options are available for trucks that are not fitted with an overhead guard.

² Doors are intended to protect the operator from objects that may enter the operator's compartment but they may also slow the operator's egress in emergency situations. A review of the forklift's intended environment should be conducted before selecting a door as optional equipment.

About Yale



Yale Lift Truck Technologies leverages over a century of material handling experience and substantial investment in innovation to bring the most advanced technology-driven lift truck solutions to market. The company offers a full line of award-winning lift trucks, including reach trucks, order pickers, turret trucks, pallet jacks and trucks, pallet stackers, tow tractors and counterbalanced forklifts, as well as powerful operator assist solutions, proven robotics and a wide range of power sources to help customers adapt to today's demanding supply chain. Yale and its independent dealer network support these solutions with comprehensive after-sales service, parts, financing and training.

MATERIALS HANDLING FOR:

Third-party logistics (3PL)

Auto parts distribution

Beverage

Cold & frozen foods

Food distribution

Food processing

Furniture & furnishings

Government

Health & pharma

Home centers & durables

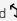
Retail & e-commerce

Yale Lift Truck Technologies
P.O. Box 7367
Greenville, NC 27835-7367
U.S.A.

yale.com



EXPLORE MORE
ONLINE.
←

© 2023 Hyster-Yale Group, Inc., all rights reserved. YALE and  are trademarks of Hyster-Yale Group, Inc.

Trucks may be shown with optional equipment and/or features not available in all regions. Truck performance may be affected by the condition of the vehicle, how it is equipped and the application. Specifications are subject to change without notice. Consult your Yale® Dealer if any of the information shown is critical to your application.

CERTIFICATION: Yale lift trucks meet the design and construction requirements of B56.1-1969, per OSHA Section 1910.178(a)(2), and also comply with the B56.1 revision in effect at time of manufacture. Classified by Underwriters' Laboratories, Inc.