

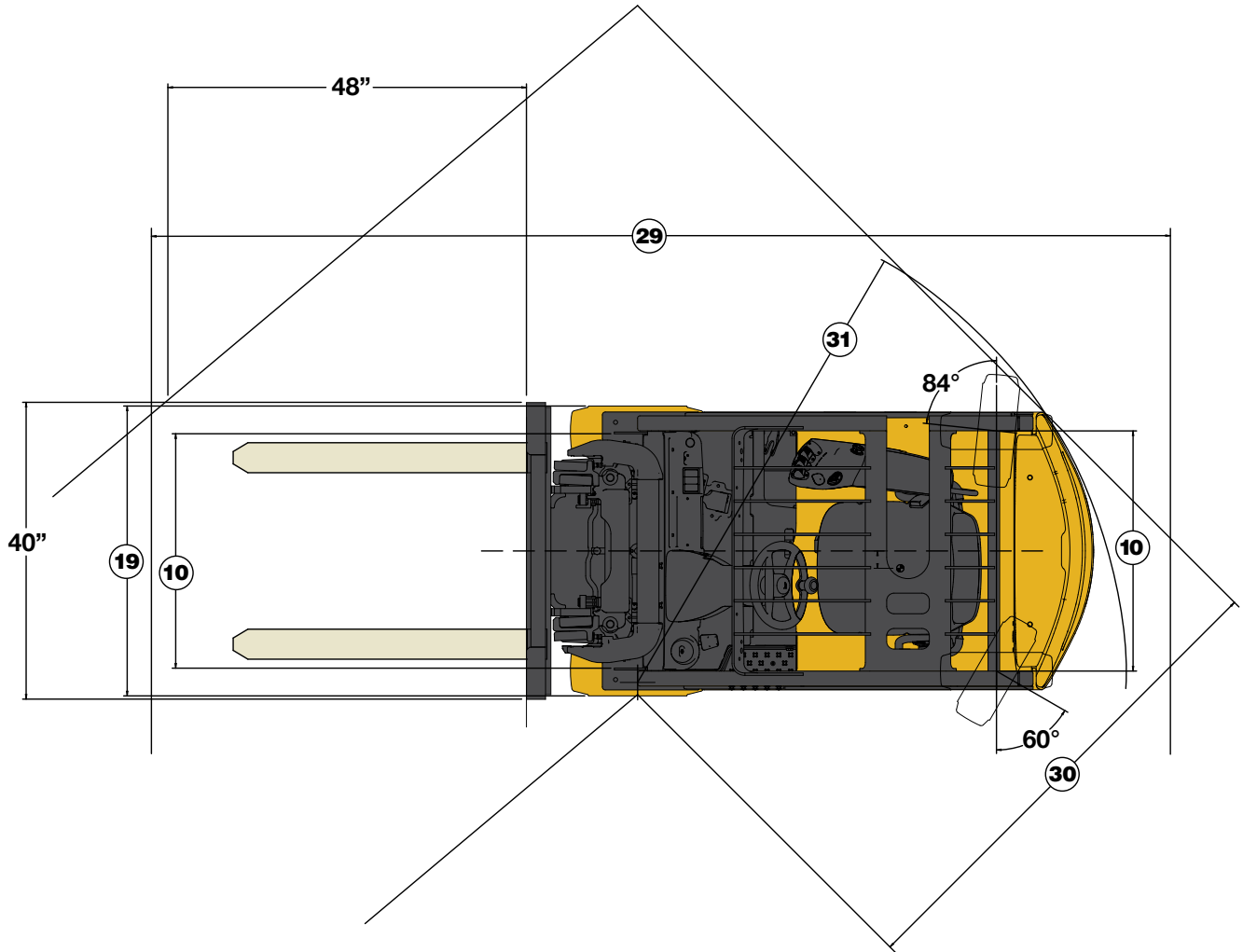


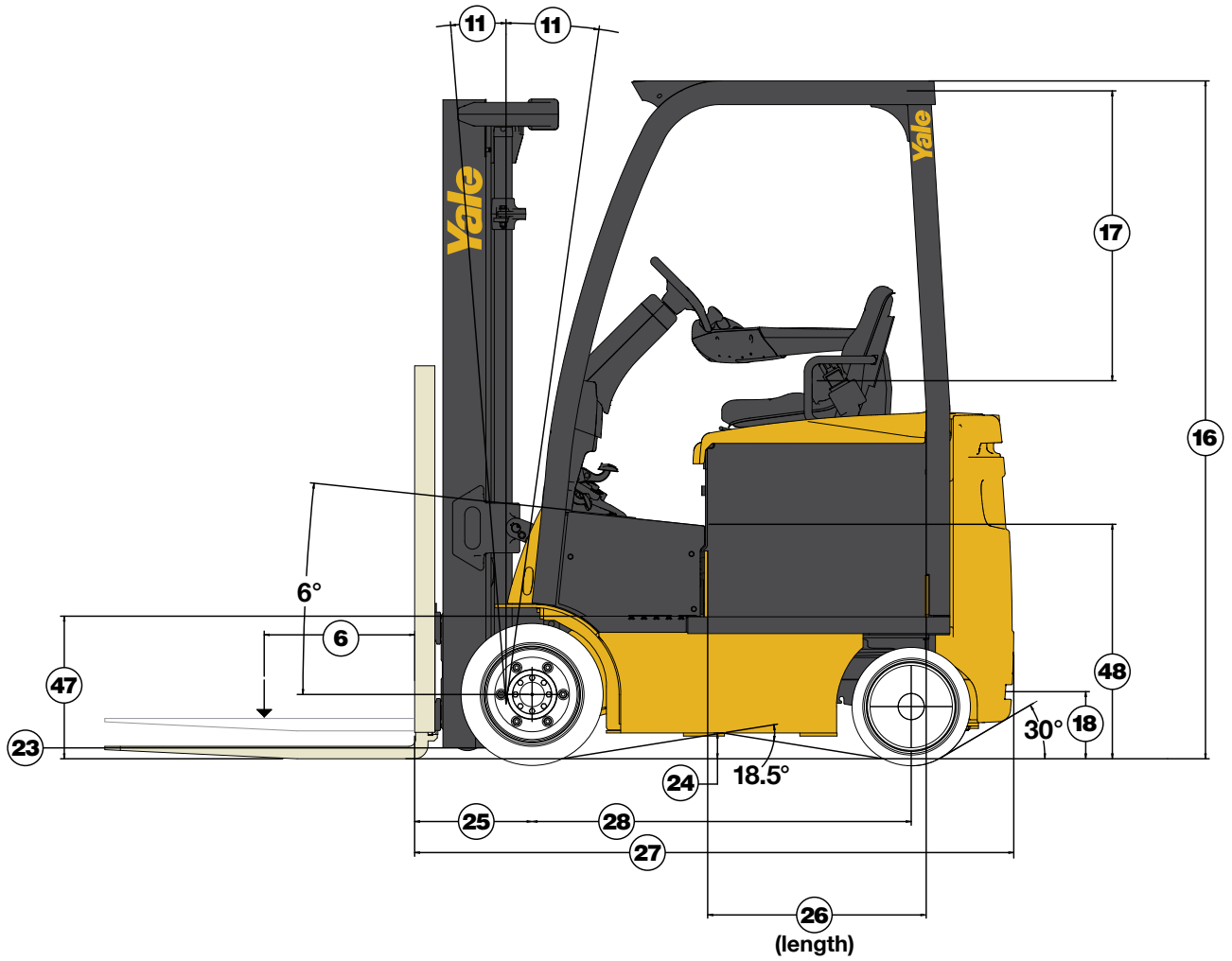
ERC 030-040VA

SPEC SHEET

Cushion tire electric
counterbalanced forklift

3,000-4,000 lbs.





GENERAL SPECIFICATIONS - ERC030-035VA

GENERAL	1	Manufacturer		Yale®												
	2	Model designation		ERC030VA		ERC035VA										
	3	Power		Electric												
	4	Operation		Sit												
	5	Rated capacity		lb. (kg)		3000 (1361)		3500 (1588)								
	6	Load center		in. (mm)		24 (610)										
TIRES	7	Tire type - cushion, solid, pneumatic, etc.		Drive / steer		Cushion / cushion										
	8	Tire size		Std		Drive / steer				in.		18 x 6 x 12.1 / 14 x 4.5 x 8				
		Opt		Drive / steer		in.		18 x 7 x 12.1 / 15 x 5 x 11.25								
	9	Wheels - number		X=Driven		Drive / steer		2X / 2								
10	Tread - drive		Center of tires		Nar / int / wide 6" / wide 7"		in. (mm)		31 / 31.8 / 37 / 35.7 (788 / 808 / 939 / 906)							
	Tread - steer		Center of tires		in. (mm)		32.4 (822)									
DIMENSIONS	11	Mast tilt		Std opt		degrees		5F / 5B 10F / 5B								
	12	Mast - lowered height		Std mast		in. (mm)		82 (2080)								
	13	Free lift - top of fork		Std 2-stg limited free lift mast		in. (mm)		5 (140)								
		Opt 2-stg full free lift mast with / without LBR		in. (mm)		31 / 57 (807 / 1456)										
	14	Lift height - top of fork		Std 2-stg limited free lift mast		in. (mm)		127 (3232)								
	15	Mast - extended height		Std mast with / without LBR		in. (mm)		176 / 150 (4455 / 3806)								
	16	Overhead guard height		Std & DIR / opt grid / flat plate		in. (mm)		88.5 / 86.5 / 83.5 (2248 / 2197 / 2121)								
	17	SIP to underside OHG		Depressed / std OHG		Std / full susp		in. (mm)		38.7 / 38.9 (984 / 989)						
	18	Tow pin height		Vertical center of pin		in. (mm)		9.1 (232)								
	19	Overall width		Nar / int / wide 6" / wide 7" tread		in. (mm)		37.2 / 38.8 / 43 / 42.7 (945 / 986 / 1091 / 1084)								
	20	Forks		Thickness x width x length		in. (mm)		1.6 x 3.9 x 42 (40 x 100 x 1067)								
	21	Standard carriage width		Class II		in. (mm)		35.7 (907)								
	22	Floor to top of battery rollers		in. (mm)		17.1 (435)										
	23	Ground clearance		Lowest point		NL / RL		in. (mm)		3.5 / 3.3 (90 / 84)						
		Center of truck		NL / RL		in. (mm)		3.9 / 3.6 (98 / 92)								
	24	Load distance		Center of wheel to face of forks		in. (mm)		14.2 (360)								
	26	Battery compartment		Height		Std / battery rollers		in. (mm)		24 / 23.5 (610 / 597)						
		Width		UL classification "E" / "EE"		in. (mm)		35.8 / 35.6 (909 / 904)								
		Length		in. (mm)		27.6 (700)										
	27	Length to face of forks		Chassis length		in. (mm)		75.1 (1908)								
	28	Wheelbase		in. (mm)		48 (1220)										
29	Right angle stack		in. (mm)		127 (3226)		127.8 (3247)									
30	Equal aisle		90° Intersecting aisle		in. (mm)		68.7 (1745)		68.8 (1748)							
31	Outside turning radius		in. (mm)		64.7 (1644)		65.2 (1657)									
WT.	32	Truck weight		Without battery		NL		lb. (kg)		5130 (2327)		5390 (2445)				
	33	Axle loading - drive		Static with max. wt. battery		NL / RL		lb. (kg)		3460 / 8840 (1569 / 4010)		3400 / 9680 (1542 / 4391)				
	34	Axle loading - steer		Static with max. wt. battery		NL / RL		lb. (kg)		4170 / 1790 (1891 / 812)		4490 / 1710 (2037 / 776)				
PERFORMANCE					VOLTS		36		48		36		48			
	35	Travel speed		Extended shift OFF		NL / RL		mph (km/h)		11.4 / 11.4 (18.4 / 18.4)		11.4 / 11.4 (18.4 / 18.4)		11.4 / 11.4 (18.4 / 18.4)		
		Extended shift ON		NL / RL		mph (km/h)		11.4 / 11.4 (18.4 / 18.4)		11.4 / 10.7 (18.4 / 17.3)		11.4 / 11.4 (18.4 / 18.4)				
	36	Lift speed		Std 2-stg LFL mast		NL / RL		ft/min (m/sec)		126 / 83 (0.64 / 0.424)		142 / 77 (0.64 / 0.392)		142 / 96 (0.72 / 0.49)		
		Opt 2-stg FFL mast		NL / RL		ft/min (m/sec)		113 / 75 (0.573 / 0.38)		127 / 93 (0.645 / 0.475)		113 / 69 (0.573 / 0.351)		127 / 86 (0.645 / 0.439)		
		Opt 3-stg FFL mast		NL / RL		ft/min (m/sec)		117 / 77 (0.594 / 0.393)		131 / 97 (0.668 / 0.492)		117 / 72 (0.594 / 0.364)		131 / 90 (0.668 / 0.455)		
	37	Lower speed		Std 2-stg LFL mast		NL / RL		ft/min (m/sec)		93 / 100 (0.47 / 0.51)						
		Opt 2-stg FFL mast		NL / RL		ft/min (m/sec)		73 / 91 (0.37 / 0.46)								
		Opt 3-stg FFL mast		NL / RL		ft/min (m/sec)		81 / 94 (0.41 / 0.48)								
	38	Gradability		5 Minute rating		NL / RL		%		31.1 / 23.7		34.0 / 24.2		30.8 / 23		
60 Minute rating		NL / RL		%		7 / 5.4		7.4 / 5.8		7 / 5.2		7.4 / 5.6				
39	Drawbar pull		5 Minute rating		NL / RL		lbf (N)		2734 / 2856 (12163 / 12705)		2792 / 2914 (12422 / 12964)		2681 / 2800 (11924 / 12455)		2738 / 2857 (12178 / 12709)	
	60 Minute rating		NL / RL		lbf (N)		630 / 694 (2804 / 3087)		643 / 709 (2862 / 3156)		618 / 680 (2748 / 3026)		630 / 694 (2804 / 3088)			
40	Brake		Method of control		Service / parking		Hydraulic / mechanical									
	Method of operation		Service / parking		Foot / foot (optional park brake - automatic)											
ELECTRIC	41	Battery		Type		Lead acid Thin Plate Pure Lead* Lithium-ion*										
	42	Traction motor		60 Minute rating		hp (kW)		24.7 (18.4)		24.7 (18.4)		24.7 (18.4)		24.7 (18.4)		
	43	Pump motor		S3-15%		hp (kW)		21.5 (16)		21.5 (16)		21.5 (16)		21.5 (16)		
	44	Traction motor		Type / control method		AC / transistor										
	45	Pump motor		Type / control method		AC / transistor										
	46	Number of speeds		Traction / pump		Infinitely variable / infinitely variable										
OTHER	47	Step height		in. (mm)		18.7 (475)										
	48	Floor height		Lowest point		in. (mm)		30.4 (772)								
	49	Attachment relief pressure		Mech levers / mini levers		psi (bar)		2596 / 2596 (179 / 179)								
	50	Auxiliary oil flow		3rd Function / 4th function		gal/min (l/min)		10.6 / 10.6 (40 / 40)								
	51	Sound level		Measured per ANSI B56.11.5		dB (A)		64								

*Optional with Yale Power Key
 Above specifications, unless otherwise listed, are for a standard truck without optional equipment.
 Right angle stack and equal intersecting aisle dimensions provided with a 48" long and 40" wide pallet load, allowing zero clearance

GENERAL SPECIFICATIONS - ERC040VA

GENERAL	1	Manufacturer			Yale®		
	2	Model designation			ERC040VA		
	3	Power			Electric		
	4	Operation			Sit		
	5	Rated capacity	lb. (kg)		4000 (1814)		
	6	Load center	in. (mm)		24 (610)		
TIRES	7	Tire type - cushion, solid, pneumatic, etc.		Drive / steer		Cushion / cushion	
	8	Tire size	Std	Drive / steer	18 x 7 x 12.1 / 15 x 5 x 11.25		
			Opt	Drive / steer	N / A / N / A		
	9	Wheels - number	X=Driven		2X / 2		
	10	Tread - drive	Center of tires	Nar / int / wide 6" / wide 7"	in. (mm)	N/A / 31.8 / N/A / 35.7 (N/A / 808 / N/A / 906)	
Tread - steer		Center of tires		in. (mm)	32.4 (822)		
DIMENSIONS	11	Mast tilt	Std opt	degrees	5F / 5B 10F / 5B		
	12	Mast - lowered height	Std mast	in. (mm)	82 (2080)		
	13	Free lift - top of fork	Std 2-stg limited free lift mast		in. (mm)	5 (140)	
			Opt 2-stg full free lift mast with / without LBR		in. (mm)	31 / 57 (807 / 1456)	
	14	Lift height - top of fork	Std 2-stg limited free lift mast		in. (mm)	127 (3232)	
	15	Mast - extended height	Std mast with / without LBR		in. (mm)	176 / 150 (4455 / 3806)	
	16	Overhead guard height	Std & DIR / opt grid / flat plate		in. (mm)	88.5 / 86.5 / 83.5 (2248 / 2197 / 2121)	
	17	SIP to underside OHG	Depressed / std OHG	Std / full susp	in. (mm)	38.7 / 38.9 (984 / 989)	
	18	Tow pin height	Vertical center of pin		in. (mm)	9.1 (232)	
	19	Overall width	Nar / int / wide 6" / wide 7" tread		in. (mm)	38.8 / 42.7 (986 / 1084)	
	20	Forks	Thickness x width x length		in. (mm)	1.6 x 3.9 x 42 (40 x 100 x 1067)	
	21	Standard carriage width	Class II		in. (mm)	35.7 (907)	
	22	Floor to top of battery rollers			in. (mm)	17.1 (435)	
	23	Ground clearance	Lowest point	NL / RL	in. (mm)	3.5 / 3.3 (90 / 84)	
			Center of truck	NL / RL	in. (mm)	3.9 / 3.6 (98 / 92)	
	25	Load Distance	Center of wheel to face of forks		in. (mm)	14.2 (360)	
	26	Battery compartment	Height	Std / battery rollers	in. (mm)	24 / 23.5 (610 / 597)	
			Width	UL classification "E" / "EE"	in. (mm)	35.8 / 35.6 (909 / 904)	
			Length		in. (mm)	27.6 (700)	
	27	Length to face of forks	Chassis length		in. (mm)	77.5 (1968)	
	28	Wheelbase			in. (mm)	48 (1220)	
29	Right angle stack			in. (mm)	128.7 (3270)		
30	Equal aisle	90° Intersecting aisle		in. (mm)	69.1 (1754)		
31	Outside turning radius			in. (mm)	66.6 (1692)		
WT.	32	Truck weight	Without battery	NL	lb. (kg)	5770 (2617)	
	33	Axle loading - drive	Static with max. wt. battery	NL / RL	lb. (kg)	3340 / 10510 (1515 / 4767)	
	34	Axle loading - steer	Static with Max. Wt. Battery	NL / RL	lb. (kg)	4830 / 1760 (2191 / 798)	
PERFORMANCE	35	Travel speed	Extended shift OFF	NL / RL	VOLTS	36	48
			Extended shift ON	NL / RL	mph (km/h)	11.4 / 10.5 (18.4 / 16.9)	11.4 / 11.4 (18.4 / 18.4)
	36	Lift speed	Std 2-stg LFL mast	NL / RL	ft/min (m/sec)	126 / 74 (0.64 / 0.376)	142 / 93 (0.72 / 0.47)
			Opt 2-stg FFL mast	NL / RL	ft/min (m/sec)	113 / 66 (0.573 / 0.337)	127 / 83 (0.645 / 0.421)
			Opt 3-stg FFL mast	NL / RL	ft/min (m/sec)	117 / 69 (0.594 / 0.349)	131 / 86 (0.668 / 0.436)
	37	Lower speed	Std 2-stg LFL mast	NL / RL	ft/min (m/sec)	93 / 100 (0.47 / 0.51)	
			Opt 2-stg FFL mast	NL / RL	ft/min (m/sec)	73 / 91 (0.37 / 0.46)	
			Opt 3-stg FFL mast	NL / RL	ft/min (m/sec)	81 / 94 (0.41 / 0.48)	
	38	Gradability	5 Minute rating	NL / RL	%	30.4 / 22.7	33.6 / 23.2
			60 Minute rating	NL / RL	%	7 / 5	7.4 / 5.4
	39	Drawbar pull	5 Minute rating	NL / RL	lbf (N)	2621 / 2744 (11658 / 12205)	2681 / 2801 (11924 / 12459)
			60 Minute rating	NL / RL	lbf (N)	605 / 667 (2693 / 2965)	617 / 680 (2745 / 3023)
40	Brake	Method of control	Service / parking		Hydraulic / mechanical		
		Method of operation	Service / parking		Foot / foot (optional park brake - automatic)		
ELECTRIC	41	Battery	Type		Lead acid Thin Plate Pure Lead* Lithium-ion*		
	42	Traction motor	60 Minute rating	hp (kW)	24.7 (18.4)	24.7 (18.4)	
	43	Pump motor	S3-15%	hp (kW)	21.5 (16)	21.5 (16)	
	44	Traction motor	Type / control method		AC / transistor		
	45	Pump motor	Type / control method		AC / transistor		
	46	Number of speeds	Traction / pump		Infinitely variable / infinitely variable		
OTHER	47	Step height			in. (mm)	18.7 (475)	
	48	Floor height	Lowest point		in. (mm)	30.4 (772)	
	49	Attachment relief pressure	Mech levers / mini levers		psi (bar)	2596 / 2596 (179 / 179)	
	50	Auxiliary oil flow	3rd Function / 4th function		gal/min (l/min)	10.6 / 10.6 (40 / 40)	
	51	Sound level	Measured per ANSI B56.11.5		dB (A)	64	

*Optional with Yale Power Key

Above specifications, unless otherwise listed, are for a standard truck without optional equipment.

Right angle stack and equal intersecting aisle dimensions provided with a 48" long and 40" wide pallet load, allowing zero clearance

BATTERY AND COMPARTMENT SPECIFICATIONS

Trucks with UL type "E" construction														
Battery compartment dimensions				Battery dimensions and specifications										
Compartment type	Width	Length	Height	"X"		"Y"		"Z"	Volts	No. of cells	Plates per cell	Max capacity 6 hour rate	Weight	
				Min	Max	Min	Max	Max					Min	Max
	in. (mm)			in. (mm)						Amp hr (kwh)		lb. (kg)		
Vertical removal (Lift out)	35.8 (909)	27.6 (700)	24 (610)	30.9 (784)	35.7 (907)	25.7 (654)	27.2 (692)	23.5 (598)	36	18	17 - 19	1200 (40.6)	1850 (839)	2500 (1132)
									48	24	13 - 15	1000 (45.2)		
Horizontal removal with battery rollers	35.8 (909)	27.6 (700)	23.5 (597)	30.9 (784)	35.7 (907)	25.7 (654)	27.2 (692)	23 (585)	36	18	17 - 19	1200 (40.6)	1850 (839)	2500 (1132)
									48	24	13 - 15	1000 (45.2)		

BATTERY AND COMPARTMENT SPECIFICATIONS

Trucks with UL Type "EE" Construction														
Battery compartment dimensions				Battery dimensions and specifications										
Compartment type	Width	Length	Height	"X"		"Y"		"Z"	Volts	No. of cells	Plates per cell	Max capacity 6 hour rate	Weight	
				Min	Max	Min	Max	Max					Min	Max
	in. (mm)			in. (mm)						Amp hr (kwh)		lb. (kg)		
Vertical Removal (Lift Out)	35.6 (904)	27.6 (700)	24 (610)	30.9 (784)	35.5 (902)	25.7 (654)	27.2 (692)	23.5 (598)	36	18	17 - 19	1200 (40.6)	1850 (839)	2500 (1132)
									48	24	13 - 15	1000 (45.2)		
Horizontal Removal with Battery Rollers	35.6 (904)	27.6 (700)	23.5 (597)	30.9 (784)	35.5 (902)	25.7 (654)	27.2 (692)	23 (585)	36	18	17 - 19	1200 (40.6)	1850 (839)	2500 (1132)
									48	24	13 - 15	1000 (45.2)		

Battery type: "E0" (without cover)

Battery amp hr (kwh) capacity is max allowable per UL

Commercially available lead acid or lithium-ion batteries may not necessarily reach these max limits

Battery compartment length is measured front to rear. Battery compartment width is measured across the truck

Battery notes – conventional charging (option BCSSBC)

Battery connector: 36 volt - Gray SB*350 (Anderson Power Products* P/N 6320G1 or equivalent)

48 volt - Blue SB*350 (Anderson Power Products* P/N 6321G1 or equivalent)

Battery lead: length 20" (508mm), position "B", 2/0 AWG

Battery notes – rapid/fast charging (option BARFBC)

Battery connector: requires dual positive/negative cabling terminating in (2) female EBC-320 DIN connectors

(Anderson Power Products* P/N A32502-0009 or equivalent)

Each individual DIN connector to include 1 Red Conductor to (+) and 1 Black Conductor to (-)

Battery lead: length 25" (635mm), position "B", minimum cable size 3/0 AWG

MAST DIMENSIONS - ERC30-40VA

Maximum fork height (TOF) +	Overall lowered height	Overall extended height w/ load backrest	Overall extended height w/o load backrest	Free-lift (TOF) w/ load backrest	Free-lift (TOF) w/o load backrest
in. (mm)	in. (mm)	in. (mm)	in. (mm)	in. (mm)	in. (mm)
2-STAGE LIMITED FREE-LIFT (LFL) MAST					
127 (3232)	82 (2080)	176 (4455)	150 (3806)	5 (140)	5 (140)
2-STAGE FULL FREE-LIFT (FFL) MAST					
126 (3218)	82 (2080)	176 (4461)	151 (3812)	31 (807)	57 (1456)
138 (3518)	88 (2230)	188 (4761)	162 (4112)	37 (957)	63 (1606)
3-STAGE FULL FREE-LIFT (FFL) MAST					
181 (4600)	80 (2030)	224 (5025)	204 (5174)	29 (757)	55 (1406)
187 (4750)	82 (2080)	236 (5325)	210 (5324)	31 (807)	57 (1455)
192 (4900)	84 (2130)	238 (5375)	216 (5474)	33 (857)	59 (1506)
198 (5050)	88 (2230)	248 (5625)	222 (5624)	37 (957)	63 (1606)
216 (5500)	94 (2380)	265 (6075)	240 (6074)	43 (1107)	69 (1756)

FEATURES LIST

PERFORMANCE	STD	OPT
36-Volt electrical system	●	
48-Volt electrical system		●
Dual voltage lithium battery technology	●	
AC tractions and pump motors (completely brushless)	●	
Hydrostatic steer system	●	
Transistor drive and pump control	●	
Advanced VSM (Vehicle System Manager)	●	
Dual drive motors	●	
Wet disc brakes	●	
Regenerative braking	●	
DRIVE	STD	OPT
Pneumatic-shaped solid drive tire and steer tire	●	
Rubber cushion smooth tread drive tire and steer tire		●
LIFT	STD	OPT
2-Stage limited free lift (LFL) mast with maximum fork height of 119"	●	
5° Forward / 5° back mast tilt	●	
2-Stage full free lift mast		●
3-Stage full free list mast		●
4-Stage full free lift mast		●
Mast tilt option - 10°F / 5°B		●
Mast tilt option - 5°F / 4°B		●
HANDLING	STD	OPT
38.5" Wide Class II carriage with 48" high load backrest extension	●	
42" (1067mm) Long forks	●	
Carriage with integral sideshift		●
Carriage with integral sideshifting forkpositioner		●
Return to set tilt		●
Hydraulic attachment extension tubes with or without quick disconnect fittings		●
Load weight indicator		●
ERGONOMICS	STD	OPT
Foot directional control pedal	●	
TouchPoint hydraulic mini-levers	●	
12" Steering wheel with integral spinner knob and tilt column	●	
Vinyl non-suspension seat	●	
Black, non-cinch seat belt with Emergency Locking Retractor (ELR)	●	
Automatic park brake	●	
Power assist braking	●	
On-demand hydrostatic power-assist steering	●	
Auto Deceleration System (ADS)	●	
Multifunction display (and all its sub features)	●	
Easy ingress/egress with low step height and contoured handhold	●	
Operator convenience station	●	
Adjustable tilt steering column with low profile cowl	●	
Operator Presence System (OPS)	●	
Cushioned floormat	●	
Static strap	●	
Tow pin	●	
Seatside power disconnect button	●	

ERGONOMICS CONTINUED	STD	OPT
Battery side covers	●	
On-board software (Program, test & diagnose / password protected)	●	
Electronic horn with integral relay (long life / no adjustments)	●	
Non-suspension cloth seat		●
Full-suspension seat (vinyl or cloth)		●
Full-suspension swivel seat (vinyl or cloth)		●
Seatside directional control		●
Telescopic steering column with tilt memory		●
LED and halogen work light packages		●
LED dome / reading light		●
Rear drive handle with horn button		●
Mirrors - dual side view - LH & RH OHG side mounted		●
Mirror - single panoramic - OHG mounted		●
Low mount display		●
OPERATION	STD	OPT
Standard environmental construction	●	
Key switch start	●	
81.5" Grid style overhead guard	●	
3-function hydraulic valve	●	
Full integrated CANbus communication	●	
Cooler / freezer package: operating temperature 0F to +120F		●
SubZero freezer package: operating temperature -40F to +120F		●
4-Function hydraulic control valve		●
77.9" Flat plate overhead guard		●
81.5" drive-in rack grid style overhead guard		●
Keyless start (with auxiliary key switch)		●
Basic and premium LED brake / tail / back-up light packages		●
Key switch controlled lights		●
Audible alarm - reverse operation (manually adjustable to 87, 97 or 102 dB)		●
Visible amber strobe light - continuous activated, overhead guard mounted		●
Fire extinguisher - 2.5lb dry chemical		●
Impact monitor		●
Operator password start interlock		●
Operator daily checklist		●
System monitor - hydraulic low fluid level indicator and hydraulic filter service indicator		●
Programmable maintenance reminder		●
Synchronouse steering		●
Red, high-visibility, non-cinch seat belt with or without start interlock		●
Yale Vision		●
Yale Reliant™		●
ENERGY SYSTEM	STD	OPT
Lead acid	●	
Yale Power Key		●
SUPPLEMENTAL	STD	OPT
Operating manual	●	
12 Month / 2,000 hour full truck warranty	●	
36 Month / 6,000 hour powertrain warranty	●	

About Yale



Yale Lift Truck Technologies leverages over a century of material handling experience and substantial investment in innovation to bring the most advanced technology-driven lift truck solutions to market. The company offers a full line of award-winning lift trucks, including reach trucks, order pickers, turret trucks, pallet jacks and trucks, pallet stackers, tow tractors and counterbalanced forklifts, as well as powerful operator assist solutions, proven robotics and a wide range of power sources to help customers adapt to today's demanding supply chain. Yale and its independent dealer network support these solutions with comprehensive after-sales service, parts, financing and training.

MATERIALS HANDLING FOR:

Third-party logistics (3PL)

Auto parts distribution

Beverage

Cold & frozen foods

Food distribution

Food processing

Furniture & furnishings

Government

Health & pharma

Home centers & durables


Retail & e-commerce

Yale Lift Truck Technologies
P.O. Box 7367
Greenville, NC 27835-7367
U.S.A.

yale.com



EXPLORE MORE
ONLINE.
←

© 2023 Hyster-Yale Group, Inc., all rights reserved. YALE and  are trademarks of Hyster-Yale Group, Inc.

Trucks may be shown with optional equipment and/or features not available in all regions. Truck performance may be affected by the condition of the vehicle, how it is equipped and the application. Specifications are subject to change without notice. Consult your Yale® Dealer if any of the information shown is critical to your application.

CERTIFICATION: Yale lift trucks meet the design and construction requirements of B56.1-1969, per OSHA Section 1910.178(a)(2), and also comply with the B56.1 revision in effect at time of manufacture. Classified by Underwriters' Laboratories, Inc.