

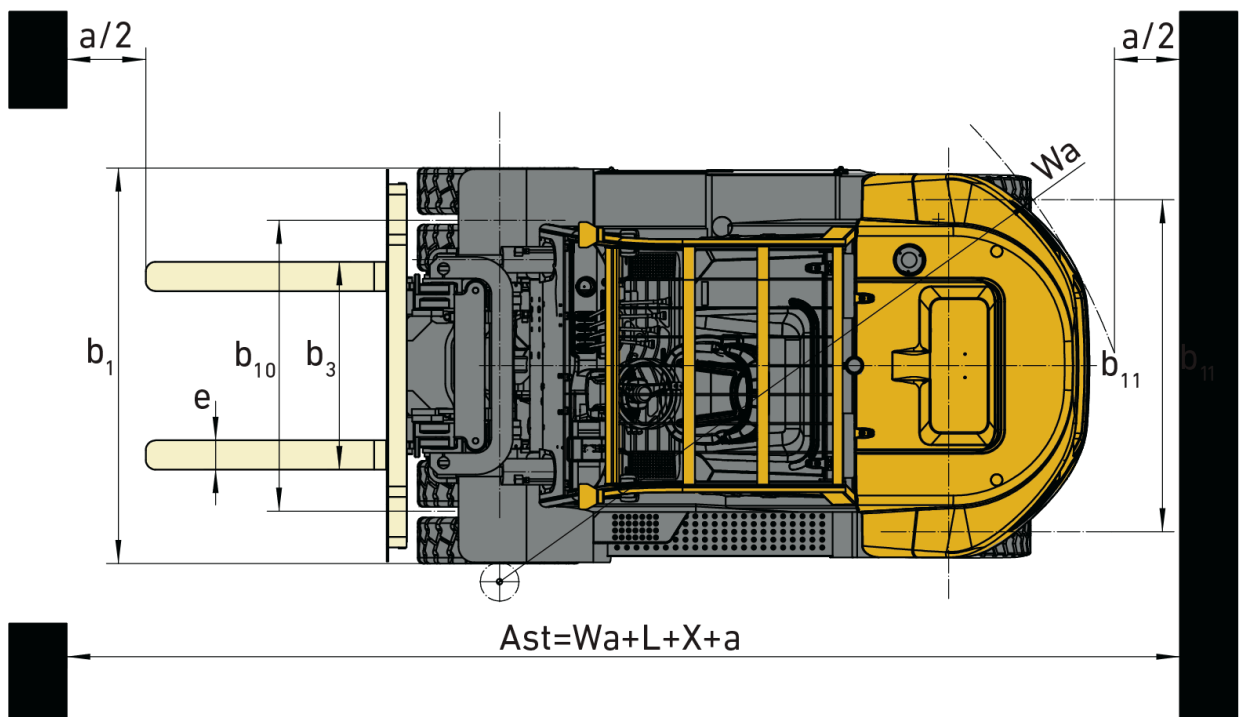
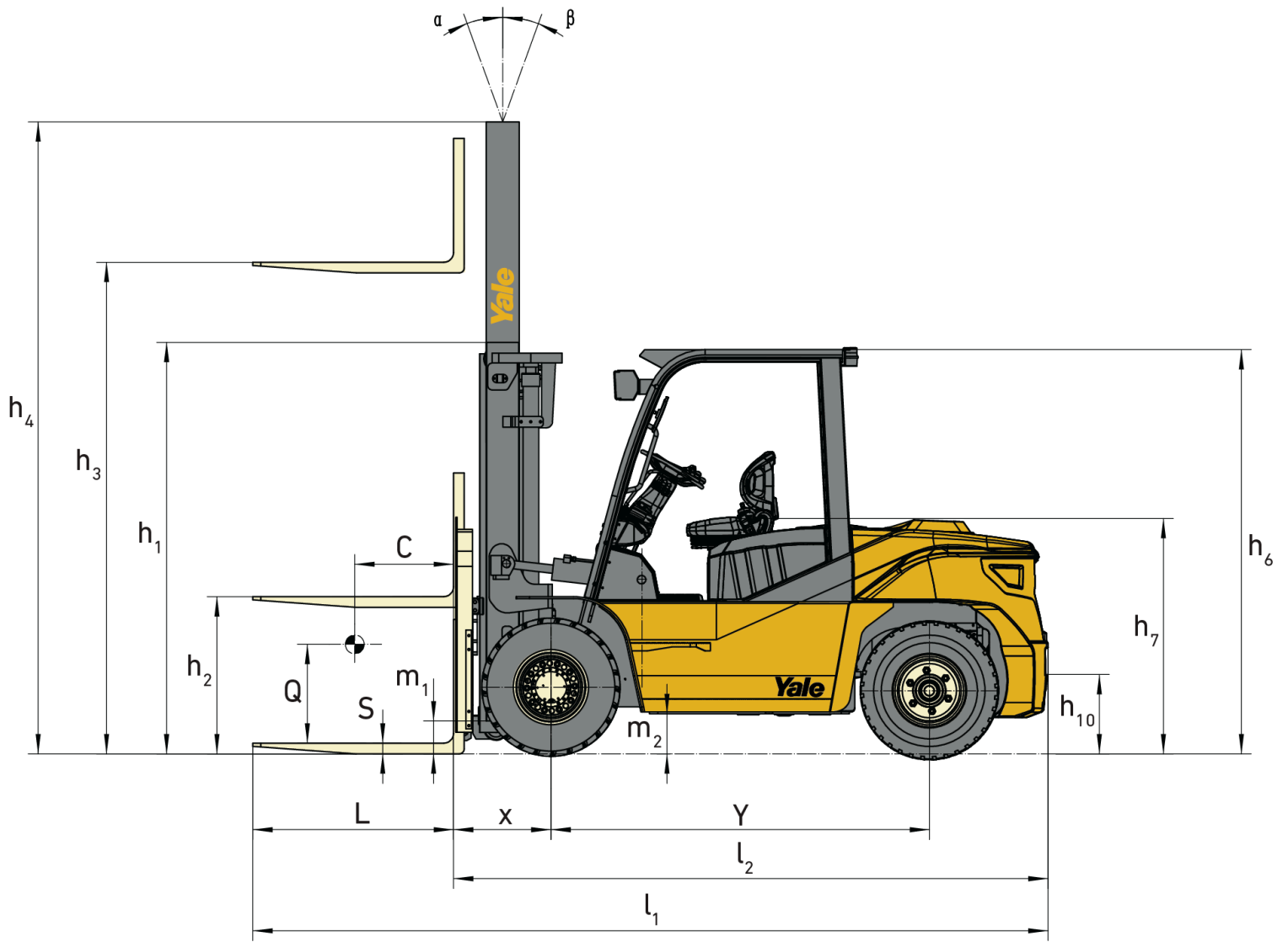


# ERP110-155MXLG SERIES

INTEGRATED LITHIUM-ION  
COUNTERBALANCE FORKLIFT  
PRODUCT TECHNICAL GUIDE



AUTO-GENERATED V1R0 11/05/2026



**TECHNICAL DATA**

Specifications Table

|                     | 1.2    | Model designation   |                      | ERP110MXLG     | ERP135MXLG     | ERP155MXLG     |
|---------------------|--------|---|----------------------|----------------|----------------|----------------|
| Distinguishing mark | 1.1    | Manufacturer  |                      | Yale           | Yale           | Yale           |
|                     | 1.3    | Drive: electric(battery or mains), diesel, petrol, fuel gas     |                      | Electric       | Electric       | Electric       |
|                     | 1.4    | Operator type: hand, pedestrian, standing, seated, order-picker |                      | Seat           | Seat           | Seat           |
|                     | 1.5    | Rated capacity/rated load                                       | Q (lb)               | 11023          | 13228          | 15432          |
|                     | 1.6    | Load center distance  | c (in)               | 24.0           | 24.0           | 24.0           |
|                     | 1.8    | Load distance, centre of drive axle to fork                     | x (in)               | 23.2           | 23.2           | 23.2           |
|                     | 1.9    | Wheelbase (with mast vertical)                                  | y (in)               | 90.6           | 90.6           | 90.6           |
| Weight              | 2.1    | Service weight  | lb                   | 18761          | 20249          | 21605          |
|                     | 2.2    | Axle loading, laden front/rear                                  | lb                   | 26411/3373     | 29687/3790     | 32849/4188     |
|                     | 2.3    | Axle loading, unladen front/rear                                | lb                   | 8598/10163     | 9112/11137     | 9259/12346     |
| Tires, chassis      | 3.1    | Tyres: Solid rubber, superelastic, pneumatic, polyurethane      |                      | pneumatic      | pneumatic      | pneumatic      |
|                     | 3.2    | Tyre size, front  |                      | 8.25-15-14PR   | 8.25-15-14PR   | 8.25-15-14PR   |
|                     | 3.3    | Tyre size, rear   |                      | 8.25-15-14PR   | 8.25-15-14PR   | 8.25-15-14PR   |
|                     | 3.5    | wheels, number front/rear                                       |                      | 4x2            | 4x2            | 4x2            |
|                     | 3.6    | Tread, front  | b10 (in)             | 58.7           | 58.7           | 58.7           |
|                     | 3.7    | Tread, rear   | b11 (in)             | 67.0           | 67.0           | 67.0           |
| Dimensions          | 4.1    | Tilt of mast/fork carriage, forward /backward                   | $\alpha / \beta$ (°) | 10/12          | 10/12          | 10/12          |
|                     | 4.2    | Height, mast lowered  | h1 (in)              | 98.5           | 98.5           | 103.4          |
|                     | 4.3    | Free lift   | h2 (in)              | 8.1            | 8.1            | 8.1            |
|                     | 4.4    | Lift  | h3 (in)              | 118.2          | 118.2          | 118.2          |
|                     | 4.5    | Height, mast extended   | h4 (in)              | 174.3          | 174.3          | 174.3          |
|                     | 4.7    | Height of overhead guard(cabin)                                 | h6 (in)              | 96.5           | 96.5           | 96.5           |
|                     | 4.8    | Seat height   | h7 (in)              | 55.2           | 55.2           | 55.2           |
|                     | 4.12   | Towing coupling height  | h10 (in)             | 13.6           | 13.6           | 13.6           |
|                     | 4.19   | Overall length  | l1 (in)              | 185.8          | 188.5          | 190.3          |
|                     | 4.20   | Length to face of forks   | l2 (in)              | 137.7          | 140.5          | 142.2          |
|                     | 4.21   | Overall width, Std  | b1/b2 (in)           | 79.6           | 79.6           | 79.6           |
|                     | 4.22   | Fork dimensions ISO2331   | s/e/l (in)           | 2.56/5.9/48    | 2.56/5.9/48    | 2.56/5.9/48    |
|                     | 4.23   | Fork carriage ISO 2328. Class/type, A/B                         |                      | ISO 4A         | ISO 4A         | ISO 4A         |
|                     | 4.24   | Fork carriage width   | b3 (in)              | 72.7           | 72.7           | 72.7           |
|                     | 4.31   | Ground clearance, laden, below mast                             | m1 (in)              | 7.9            | 7.9            | 7.9            |
|                     | 4.32   | Ground clearance, centre of wheelbase                           | m2 (in)              | 9.1            | 9.1            | 9.1            |
|                     | 4.33   | Load dimension b 12" /6 crossways                               | b12" /6 (in)         | 39.4x39.4      | 39.4x39.4      | 39.4x39.4      |
|                     | 4.34   | Aisle width with no load dimensions                             | Ast (in)             | 159.1          | 161.0          | 163.4          |
|                     | 4.34.1 | Aisle width with pallets 39" x 47" crossways                    | Ast (in)             | 198.6          | 200.5          | 202.9          |
|                     | 4.34.2 | Aisle width with pallets 31" x 47" lengthways                   | Ast (in)             | 206.5          | 208.4          | 210.8          |
|                     | 4.35   | Turning radius  | Wa (in)              | 128.1          | 130.0          | 132.4          |
|                     | 4.36   | Internal turning radius   | b13 (in)             | 43.5           | 43.5           | 43.5           |
| Performance data    | 5.1    | Travel speed, laden/unladen                                     | mph                  | 11.8/12.4      | 11.8/12.4      | 11.8/12.4      |
|                     | 5.1.1  | Travel speed, laden/unladen, backwards                          | mph                  | 9.3/9.9        | 9.3/9.9        | 9.3/9.9        |
|                     | 5.2    | Lifting speed, laden/unladen                                    | ft/s                 | 1.11/1.31      | 1.11/1.31      | 1.11/1.31      |
|                     | 5.3    | Lowering speed laden/unladen                                    | ft/s                 | 1.64/1.31      | 1.64/1.31      | 1.64/1.31      |
|                     | 5.6    | Max. drawbar pull laden/unladen                                 | lbf                  | 10116/8992     | 10116/8992     | 10116/8992     |
|                     | 5.7    | Gradeability, laden/unladen                                     | %                    | 20/20          | 20/20          | 20/20          |
|                     | 5.9    | Acceleration time, laden/unladen                                | sec                  | 4.06/4.05      | 4.06/4.05      | 4.06/4.05      |
|                     | 5.10   | Service brake   |                      | hydraulic      | hydraulic      | hydraulic      |
| Electric-Motor      | 6.1    | Drive Motor Rating, S2, 60min                                   | hp/rpm               | 53.6hp/2400rpm | 53.6hp/2400rpm | 53.6hp/2400rpm |

|                 | 1.2    | Model designation                                |        | ERP110MXLG  | ERP135MXLG  | ERP155MXLG  |
|-----------------|--------|--|--------|-------------|-------------|-------------|
|                 | 6.2    | Lifting motor rating at S3 15%                   | hp     | 53.6        | 53.6        | 53.6        |
|                 | 6.3    | Battery according to DIN 43531/35/36 A, B, C, no |        | No          | No          | No          |
|                 | 6.4    | Battery voltage/nominal capacity ( 5hr rate )    | V / Ah | 354.2 / 228 | 354.2 / 228 | 354.2 / 228 |
|                 | 6.6    | Energy consumption according to VDI cycle        | kWh/h  | 14.4        | 16.8        | 19.18       |
|                 | 6.7    | Turnover output                                  | t/h    | 297.6       | 347.2       | 393.5       |
|                 | 6.8    | Energy consumption at turnover output            | t/kWh  | 15.2        | 17.6        | 20.6        |
|                 | 8.1    | Type of drive unit                               |        | PM AC       | PM AC       | PM AC       |
| Additional data | 10.1   | Operating pressure for attachments               | psi    | 2828.0      | 2828.0      | 2828.0      |
|                 | 10.2   | Oil volume for attachments                       | gpm    | 37.0        | 37.0        | 37.0        |
|                 | 10.7   | Sound pressure level at the driver's seat        | dB (A) | 74          | 74          | 74          |
|                 | 10.7.1 | Sound power level during the workcycle           | dB     | 91.7        | 91.7        | 91.7        |
|                 | 10.8   | Towing coupling, type DIN                        |        | PIN         | PIN         | PIN         |

NOTES:

(4.5) Without load backrest

(4.7) h5 subject to  $\pm 0.2"$  (5mm) tolerance

(4.8) Full suspension seat in depressed position

(4.24) Add 1.26" (32mm) with load backrest

(10.2) Variable

(10.7.1) LPAZ, measured according to the test cycles and based on the weighting values contained in EN12053

Specification data is based on VDI 2198, with the following configuration: Complete truck with 118.1" (3000mm) 2-stage limited free lift mast, standard carriage and 42" (1070mm) forks, overhead guard and standard pneumatic drive and steer tires. CERTIFICATION: Hyster lift trucks meet the design and construction requirements of B56.1-1969, per OSHA Section 1910.178(a)(2), and also comply with the B56.1 revision in effect at time of manufacture. Certification of compliance with the applicable ANSI standards appears on the lift truck. Performance specifications are for a truck equipped as described under Standard Equipment on this technical guide. Performance specifications are affected by the condition of the vehicle and how it is equipped, as well as by the nature, condition of the operating area, proper service and maintenance of the vehicle. If these specifications are critical, the proposed application should be discussed with your dealer.

**MAST DIMENSIONS**

ERP110MXLG Max Capacity@MFH LC 24" - Dual Pneumatic Shaped Solid Tyres

| Mast Type | Max.Lift Height (in) | Lowered Height (in) | Extended Height without LBR (in) | Extended Height with LBR (in) | Free Lift Height without LBR (in) | Forward Tilt (°) | Back Tilt (°) | Standard Carriage (lb) | 73" Integral Sideshift Carriage (lb) | 73" Hang on Sideshift Carriage (lb) | 73" Integral Sideshift Carriage and Fork Positioner (lb) |
|-----------|----------------------|---------------------|----------------------------------|-------------------------------|-----------------------------------|------------------|---------------|------------------------|--------------------------------------|-------------------------------------|--|
| 2LFL      | 118.1                | 98.4                | 155.7                            | 174.2                         | 8.1                               | 10               | 12            | 11000                  | 10100                                | 10000                               | 9800   |
|           | 129.9                | 104.3               | 167.5                            | 186.0                         | 8.1                               | 10               | 12            | 11000                  | 10100                                | 10000                               | 9800   |
|           | 137.8                | 108.3               | 175.4                            | 193.9                         | 8.1                               | 10               | 12            | 11000                  | 10000                                | 10000                               | 9700   |
|           | 147.6                | 113.2               | 185.2                            | 203.7                         | 8.1                               | 10               | 12            | 11000                  | 10000                                | 10000                               | 9700   |
|           | 157.5                | 120.1               | 195.1                            | 213.6                         | 8.1                               | 10               | 12            | 11000                  | 10000                                | 9900                                | 9700   |
|           | 177.2                | 129.9               | 214.8                            | 233.3                         | 8.1                               | 6                | 6             | 10900                  | 9900                                 | 9900                                | 9600   |
|           | 196.9                | 139.8               | 234.4                            | 253.0                         | 8.1                               | 6                | 6             | 10900                  | 9900                                 | 9800                                | 9600   |
|           | 216.5                | 151.6               | 254.1                            | 272.6                         | 8.1                               | 3                | 6             | 10600                  | 9600                                 | 9500                                | 9300   |
|           | 236.2                | 161.4               | 273.8                            | 292.3                         | 8.1                               | 3                | 6             | 10300                  | 9300                                 | 9200                                | 9000   |
|           | 236.2                | 161.4               | 273.8                            | 292.3                         | 8.1                               | 3                | 6             | 10300                  | 9300                                 | 9200                                | 9000   |
| 2FFL      | 118.1                | 103.3               | 161.8                            | 173.4                         | 61.2                              | 10               | 12            | 11000                  | 10100                                | 10100                               | 9900   |
|           | 129.9                | 109.3               | 173.6                            | 185.2                         | 67.1                              | 10               | 12            | 11000                  | 10100                                | 10100                               | 9800   |
|           | 137.8                | 113.2               | 181.5                            | 193.1                         | 71.1                              | 10               | 12            | 11000                  | 10100                                | 10100                               | 9800   |
|           | 147.6                | 118.1               | 191.3                            | 203.0                         | 76.0                              | 10               | 12            | 11000                  | 10100                                | 10000                               | 9800   |
|           | 157.5                | 125.0               | 201.2                            | 212.8                         | 82.9                              | 10               | 12            | 11000                  | 10000                                | 10000                               | 9800   |
| 3FFL      | 157.5                | 98.6                | 200.0                            | 212.8                         | 57.5                              | 6                | 6             | 10600                  | 9600                                 | 9600                                | 9400   |
|           | 171.3                | 103.5               | 213.8                            | 226.6                         | 62.4                              | 6                | 6             | 10500                  | 9400                                 | 9500                                | 9200   |
|           | 177.2                | 105.5               | 219.7                            | 232.5                         | 64.4                              | 6                | 6             | 10400                  | 9400                                 | 9400                                | 9100   |
|           | 189.0                | 109.4               | 231.5                            | 244.3                         | 68.3                              | 6                | 6             | 10300                  | 9200                                 | 9200                                | 9000   |
|           | 196.9                | 113.4               | 239.4                            | 252.2                         | 72.2                              | 6                | 6             | 10100                  | 9100                                 | 9100                                | 8900   |
|           | 212.6                | 118.3               | 255.1                            | 267.9                         | 77.2                              | 6                | 6             | 9900                   | 8900                                 | 9000                                | 8700   |
|           | 236.2                | 130.1               | 278.7                            | 291.5                         | 89.0                              | 6                | 6             | 9500                   | 8600                                 | 8600                                | 8400   |
|           | 255.9                | 139.0               | 298.4                            | 311.2                         | 97.8                              | 6                | 6             | 9100                   | 8200                                 | 8200                                | 8000   |

ERP135MXLG Max Capacity@MFH LC 24" - Dual Pneumatic Shaped Solid Tyres

| Mast Type | Max.Lift Height (in) | Lowered Height (in) | Extended Height without LBR (in) | Extended Height with LBR (in) | Free Lift Height without LBR (in) | Forward Tilt (°) | Back Tilt (°) | Standard Carriage (lb) | 73" Integral Sideshift Carriage (lb) | 73" Hang on Sideshift Carriage (lb) | 73" Integral Sideshift Carriage and Fork Positioner (lb) |
|-----------|----------------------|---------------------|----------------------------------|-------------------------------|-----------------------------------|------------------|---------------|------------------------|--------------------------------------|-------------------------------------|--|
| 2LFL      | 118.1                | 98.4                | 155.7                            | 174.2                         | 8.1                               | 10               | 12            | 13200                  | 12100                                | 12100                               | 11900  |
|           | 129.9                | 104.3               | 167.5                            | 186.0                         | 8.1                               | 10               | 12            | 13200                  | 12100                                | 12100                               | 11800  |
|           | 137.8                | 108.3               | 175.4                            | 193.9                         | 8.1                               | 10               | 12            | 13200                  | 12100                                | 12000                               | 11800  |
|           | 147.6                | 113.2               | 185.2                            | 203.7                         | 8.1                               | 10               | 12            | 13200                  | 12100                                | 12000                               | 11800  |
|           | 157.5                | 120.1               | 195.1                            | 213.6                         | 8.1                               | 10               | 12            | 13200                  | 12000                                | 12000                               | 11800  |
|           | 177.2                | 129.9               | 214.8                            | 233.3                         | 8.1                               | 6                | 6             | 13200                  | 12000                                | 11900                               | 11700  |
|           | 196.9                | 139.8               | 234.4                            | 253.0                         | 8.1                               | 6                | 6             | 13100                  | 12000                                | 11900                               | 11700  |
|           | 216.5                | 151.6               | 254.1                            | 272.6                         | 8.1                               | 3                | 6             | 12800                  | 11600                                | 11600                               | 11400  |
|           | 236.2                | 161.4               | 273.8                            | 292.3                         | 8.1                               | 3                | 6             | 12400                  | 10200                                | 10400                               | 9900   |
|           | 236.2                | 161.4               | 273.8                            | 292.3                         | 8.1                               | 3                | 6             | 12400                  | 10200                                | 10400                               | 9900   |
| 2FFL      | 118.1                | 103.3               | 161.8                            | 173.4                         | 61.2                              | 10               | 12            | 13200                  | 12100                                | 12100                               | 11900  |
|           | 129.9                | 109.3               | 173.6                            | 185.2                         | 67.1                              | 10               | 12            | 13200                  | 12100                                | 12100                               | 11800  |
|           | 137.8                | 113.2               | 181.5                            | 193.1                         | 71.1                              | 10               | 12            | 13200                  | 12100                                | 12100                               | 11800  |
|           | 147.6                | 118.1               | 191.3                            | 203.0                         | 76.0                              | 10               | 12            | 13200                  | 12100                                | 12000                               | 11800  |
|           | 157.5                | 125.0               | 201.2                            | 212.8                         | 82.9                              | 10               | 12            | 13200                  | 12000                                | 12000                               | 11800  |
| 3FFL      | 157.5                | 98.6                | 200.0                            | 212.8                         | 57.5                              | 6                | 6             | 12600                  | 11400                                | 11400                               | 11200  |
|           | 171.3                | 103.5               | 213.8                            | 226.6                         | 62.4                              | 6                | 6             | 12400                  | 11200                                | 11200                               | 11000  |
|           | 177.2                | 105.5               | 219.7                            | 232.5                         | 64.4                              | 6                | 6             | 12300                  | 11100                                | 11200                               | 10900  |
|           | 189.0                | 109.4               | 231.5                            | 244.3                         | 68.3                              | 6                | 6             | 12100                  | 11000                                | 11000                               | 10800  |
|           | 196.9                | 113.4               | 239.4                            | 252.2                         | 72.2                              | 6                | 6             | 12000                  | 10900                                | 10900                               | 10700  |
|           | 212.6                | 118.3               | 255.1                            | 267.9                         | 77.2                              | 6                | 6             | 11800                  | 10700                                | 10700                               | 10500  |
|           | 236.2                | 130.1               | 278.7                            | 291.5                         | 89.0                              | 6                | 6             | 11400                  | 10300                                | 10300                               | 10100  |
|           | 236.2                | 130.1               | 278.7                            | 291.5                         | 89.0                              | 6                | 6             | 11400                  | 10300                                | 10300                               | 10100  |

| Mast Type | Max.Lift Height (in) | Lowered Height (in) | Extended Height without LBR (in) | Extended Height with LBR (in) | Free Lift Height without LBR (in) | Forward Tilt (°) | Back Tilt (°) | Standard Carriage (lb) | 73" Integral Sideshift Carriage (lb) | 73" Hang on Sideshift Carriage (lb) | 73" Integral Sideshift Carriage and Fork Positioner (lb) |
|-----------|----------------------|---------------------|----------------------------------|-------------------------------|-----------------------------------|------------------|---------------|------------------------|--------------------------------------|-------------------------------------|--|
|           | 255.9                | 139.0               | 298.4                            | 311.2                         | 97.8                              | 6                | 6             | 11000                  | 9600                                 | 9700                                | 9100   |

ERP155MXLG Max Capacity@MFH LC 24" - Dual Pneumatic Tires

| Mast Type | Max.Lift Height (in) | Lowered Height (in) | Extended Height without LBR (in) | Extended Height with LBR (in) | Free Lift Height without LBR (in) | Forward Tilt (°) | Back Tilt (°) | Standard Carriage (lb) | 73" Integral Sideshift Carriage (lb) | 73" Hang on Sideshift Carriage (lb) | 73" Integral Sideshift Carriage and Fork Positioner (lb) |
|-----------|----------------------|---------------------|----------------------------------|-------------------------------|-----------------------------------|------------------|---------------|------------------------|--------------------------------------|-------------------------------------|--|
| 2LFL      | 118.1                | 103.3               | 160.6                            | 174.2                         | 8.1                               | 10               | 12            | 15400                  | 14300                                | 14200                               | 14000  |
|           | 129.9                | 109.3               | 172.4                            | 186.0                         | 8.1                               | 10               | 12            | 15400                  | 14300                                | 14200                               | 14000  |
|           | 137.8                | 113.2               | 180.3                            | 193.9                         | 8.1                               | 10               | 12            | 15400                  | 14300                                | 14200                               | 14000  |
|           | 147.6                | 118.1               | 190.2                            | 203.7                         | 8.1                               | 10               | 12            | 15400                  | 14200                                | 14200                               | 13900  |
|           | 157.5                | 125.0               | 200.0                            | 213.6                         | 8.1                               | 10               | 12            | 15400                  | 14200                                | 14100                               | 13900  |
|           | 177.2                | 134.8               | 219.7                            | 233.3                         | 8.1                               | 6                | 6             | 15400                  | 14100                                | 14000                               | 13800  |
|           | 196.9                | 144.7               | 239.4                            | 253.0                         | 8.1                               | 6                | 6             | 15300                  | 14100                                | 14000                               | 13800  |
|           | 216.5                | 156.5               | 259.1                            | 272.6                         | 8.1                               | 3                | 6             | 15000                  | 13700                                | 13600                               | 13400  |
| 2FFL      | 236.2                | 166.3               | 278.7                            | 292.3                         | 8.1                               | 3                | 6             | 14600                  | 13400                                | 13300                               | 13100  |
|           | 118.1                | 103.3               | 161.8                            | 174.2                         | 61.2                              | 10               | 12            | 15400                  | 14200                                | 14100                               | 13900  |
|           | 129.9                | 109.3               | 173.6                            | 186.0                         | 67.1                              | 10               | 12            | 15400                  | 14100                                | 14100                               | 13800  |
|           | 137.8                | 113.2               | 181.5                            | 193.9                         | 71.1                              | 10               | 12            | 15400                  | 14100                                | 14100                               | 13800  |
|           | 147.6                | 118.1               | 191.3                            | 203.0                         | 76.0                              | 10               | 12            | 15400                  | 14100                                | 14000                               | 13800  |
| 3FFL      | 157.5                | 125.0               | 201.2                            | 212.8                         | 82.9                              | 10               | 12            | 15400                  | 14000                                | 14000                               | 13800  |
|           | 157.5                | 98.6                | 200.0                            | 212.8                         | 57.5                              | 6                | 6             | 14500                  | 13200                                | 13200                               | 13000  |
|           | 171.3                | 103.5               | 213.8                            | 226.6                         | 62.4                              | 6                | 6             | 14400                  | 13100                                | 13100                               | 12900  |
|           | 177.2                | 105.5               | 219.7                            | 232.5                         | 64.4                              | 6                | 6             | 14300                  | 13000                                | 13000                               | 12800  |
|           | 189.0                | 109.4               | 231.5                            | 244.3                         | 68.3                              | 6                | 6             | 14100                  | 12800                                | 12800                               | 12600  |
|           | 196.9                | 113.4               | 239.4                            | 252.2                         | 72.2                              | 6                | 6             | 14000                  | 12700                                | 12700                               | 12500  |
|           | 212.6                | 118.3               | 255.1                            | 267.9                         | 77.2                              | 6                | 6             | 13700                  | 12500                                | 12500                               | 12300  |
| 236.2     | 130.1                | 278.7               | 291.5                            | 89.0                          | 6                                 | 6                | 13200         | 12100                  | 12100                                | 11900                               |  |
| 255.9     | 139.0                | 298.4               | 311.2                            | 97.8                          | 6                                 | 6                | 12500         | 11700                  | 11700                                | 11500                               |  |

# Battery & Charger Info

## Battery Info

|                         | Unit    |                              |
|-------------------------|---------|------------------------------|
| Nominal Voltage         | V       | 354.2                        |
| Chemistry               |         | Lithium Iron Phosphate (LFP) |
| Nominal Energy Capacity | kWh     | 80.8                         |
| Charging Temperature    | °F (°C) | 32 to 113<br>(0 to 45)       |
| Operating Temperature   | °F (°C) | 14 to 113<br>(-10 to 45)     |
| IP Rating               |         | IP54                         |
| 3rd Party Rating        |         | UL Listed                    |

### NOTES:

\* Operating performance may be restricted below -10°C please consult the Operator Manual

## Charger Info

|                                 | Item                            | Unit    |   |   |   |   | Note: See Legend |
|---------------------------------|---------------------------------|---------|---|---|---|---|------------------|
| <b>DC Output Specs</b>          | Part Number                     | -       | 81023945  | 69208861  | 69208862  | 81023946  |                  |
|                                 | Rated Output Voltage            | V       | 352   | 352   | 352   | 352   |                  |
|                                 | Output current                  | A       | 100   | 100   | 100   | 150   |                  |
|                                 | Typical output power            | kW      | 35.2  | 35.2  | 35.2  | 52.8  |                  |
|                                 | 20-80% Charge Time Estimate     | h       | 1.4   | 1.4   | 1.4   | 1.0   | *                |
|                                 | Output Connector                |         | GB/T  | GB/T  | GB/T  | GB/T  |                  |
|                                 | Protection                      | -       | ->  | ->  | ->  | ->  | **               |
| <b>3 Phase AC Input Specs</b>   | Input Voltage                   | VAC     | 220   | 480   | 600   | 480   |                  |
|                                 | Input Current                   | A       | 132.7   | 45.6  | 36.5  | 91.2  | ***              |
|                                 | Typical Grid Power Required     | KVA     | 50.1  | 37.5  | 37.6  | 75.1  |                  |
|                                 | Cable Length / Connector        | ft (m)  | 10 (3) / Customer Provided Connector                  | 10 (3) / Customer Provided Connector                  | 10 (3) / Customer Provided Connector                  | 10 (3) / Customer Provided Connector                  |                  |
| <b>Form Factor</b>              | Exterior Dimensions (LxWxH)     | in (mm) | 25x19x43(628x490x1100)                                | 24x17x32 (618x435x815)                                | 24x17x43(618x430x1100)                                | 25x19x43(628x490x1100)                                |                  |
|                                 | Weight                          | lb (kg) | 359 (163)   | 165 (75)  | 359 (163)   | 231 (105)   |                  |
| <b>Environmental Conditions</b> | Working environment temperature | °F (°C) | -22 to 158°F (-30 to 70°C)                            | -22 to 158°F (-30 to 70°C)                            | -22 to 158°F (-30 to 70°C)                            | -22 to 158°F (-30 to 70°C)                            |                  |
|                                 | Storage temperature             | °F (°C) | -22 to 158°F (-30 to 70°C)                            | -22 to 158°F (-30 to 70°C)                            | -22 to 158°F (-30 to 70°C)                            | -22 to 158°F (-30 to 70°C)                            |                  |
|                                 | Relative humidity               | %       | 0-95%   | 0-95%   | 0-95%   | 0-95%   |                  |
|                                 | Altitude                        | ft (m)  | ≤ 6562 (2000) full load 6562-9843 (2000-3000) derated | ≤ 6562 (2000) full load 6562-9843 (2000-3000) derated | ≤ 6562 (2000) full load 6562-9843 (2000-3000) derated | ≤ 6562 (2000) full load 6562-9843 (2000-3000) derated |                  |
|                                 | Ingress Protection Rating       | -       | IP54  | IP54  | IP54  | IP54  |                  |
| <b>Other</b>                    | 3rd Party Rating                | -       | UL 1564 Compliant                                     | UL 1564 Compliant                                     | UL 1564 Compliant                                     | UL 1564 Compliant                                     |                  |
|                                 | Warranty Term                   | -       | ->  | ->  | ->  | ->  |                  |

### NOTES:

\* Periodic full discharge and charge needed to balance cells and maintain battery warranty. See full warranty statement for complete details

\*\* Short circuit, overcurrent, overvoltage, reverse connection, current backflow protection, isolation

\*\*\* Breaker typically 25% greater than input current, consult electrical professional for your situation

2 Year Warranty, Terms and Conditions Apply. See full warranty statement for complete details

**Options Table**

Specifications Table

| <b>PERFORMANCE</b>   | <b>STD</b> | <b>OPT</b> |
|--|------------|------------|
| Standard (-4° F to +104° F) Environmental construction*                    | X          |            |
| Drum Brakes  | X          |            |
| Antistatic Strap   | X          |            |
| 354.2V228Ah (80.7kWh) Integrated Li-ion battery                            | X          |            |
| Charger (220V Three Phase Input / 100A Output)                             |            | X          |
| Charger (480V Three Phase Input / 100A Output)                             | X          |            |
| Charger (600V Three Phase Input / 100A Output)                             |            | X          |
| Charger (480V Three Phase Input / 150A Output)                             |            | X          |
| Battery Disconnect   | X          |            |
| <b>DRIVE</b>   | <b>STD</b> | <b>OPT</b> |
| Directional Lever  | X          |            |
| Foot Directional Control (FDC)   |            | X          |
| Dual Tread tires   | X          |            |
| Tires - Pneumatic Shaped Solid   | X          |            |
| Tires - Pneumatic Radial   |            | X          |
| Steering Column Mounted Directional Control                                | X          |            |
| Steering Wheel with Spinner Knob   | X          |            |
| Steer Column with Infinitely Adjustable Tilt                               | X          |            |
| On Demand Power Steering   | X          |            |
| <b>LIFT</b>  | <b>STD</b> | <b>OPT</b> |
| 2 Stage Limited Free Lift Mast – Class 4                                   | X          |            |
| 2 Stage Full Free Lift Mast – Class 4                                      |            | X          |
| 3 Stage Full Free Lift Mast – Class 4                                      |            | X          |
| 10° Forward / 12° Back Mast Tilt (for 2LFL& 2FFL 118"~148")                | X          |            |
| 6° Forward / 6° Back Mast Tilt (for 2LFL& 2FFL&3FFL 157"~197")             |            | X          |
| 3° Forward / 6° Back Mast Tilt (for 2LFL& 2FFL&3FFL 213"~256")             |            | X          |
| Tilt Cylinder Boots  |            | X          |
| <b>HANDLING</b>  | <b>STD</b> | <b>OPT</b> |
| Hook Type Standard Carriage - 73" Class 4                                  | X          |            |
| Hook Type Standard Carriage - 83" Class 4                                  |            | X          |
| Hook Type Integral Sideshift Carriage - 73" Class 4                        |            | X          |
| Pin Type Integral Sideshift Carriage with Fork Positioner - 73" Class 4    |            |            |
| 73" LDSJ Hang-On Sideshift Carriage (Hook Type forks)                      |            | X          |
| 75" LDSJ Hang-On Sideshift Carriage with Fork Positioner (Hook Type Forks) |            | X          |
| 48" Long Hook Type (2.6" x 6" ) Standard Tapered Forks                     | X          |            |
| Without Load backrest  |            | X          |
| 51.5" High Load backrest (73" wide)  |            | X          |
| 51.5" High Load backrest (83" wide)  |            | X          |
| Manual Lever Hydraulic Control   | X          |            |
| Clamping function  |            | X          |
| 2 Function (0 Auxiliary) Hydraulic Valve                                   |            | X          |
| 3 Function (1 Auxiliary) Hydraulic Valve                                   | X          |            |
| 4 Function (2 Auxiliary) Hydraulic Valve                                   |            | X          |
| <b>VISIBILITY</b>  | <b>STD</b> | <b>OPT</b> |
| LED Work lights  |            | X          |
| LED Rear light package Brake/Tail/Backup                                   |            | X          |
| LED Rear light package Brake/Tail/Backup/Turn                              |            | X          |
| Audible Reverse Alarm  |            | X          |
| Switch Activated Strobe Light  |            | X          |
| Dual Side View Mirrors   |            | X          |

| <b>PERFORMANCE</b>   | <b>STD</b> | <b>OPT</b> |
|--|------------|------------|
| Rear reflector   | X          |            |
| Blue LED Pedestrian Awareness Spotlights                         |            | X          |
| Red LED Pedestrian Awareness Perimeter Lines                     |            | X          |
| Parking Alarm  | X          |            |
| <b>ERGONOMICS</b>  | <b>STD</b> | <b>OPT</b> |
| 96.5" Overhead Guard   | X          |            |
| Non Suspension Vinyl Seat with hip restraint                     | X          |            |
| Full Suspension Vinyl Seat with hip restraint                    |            | X          |
| Full Suspension Vinyl Seat with hip restraint or flip up armrest |            | X          |
| Standard Seat Belt with Interlock                                |            | X          |
| Cabin Options (Partial, Steel Doors)                             | X          |            |
| Rear Drive Handle with Horn Button                               |            | X          |
| Toolbox  |            | X          |
| LCD Dash Display   | X          |            |
| Heater/Demister  |            | X          |
| Operator fan   |            | X          |
| Single USB Port  | X          |            |
| <b>OPERATION</b>   | <b>STD</b> | <b>OPT</b> |
| Traction speed limiters  |            | X          |
| Key Switch Start   | X          |            |
| Battery disconnect   | X          |            |
| Telemetry Prepared   | X          |            |
| Speed Reduction in Corners                                       |            | X          |
| Anti-Static strap  | X          |            |
| Foot Direction Control   |            | X          |
| Yale Vision Wireless Monitoring                                  | X          |            |
| Yale Vision Wireless Access                                      |            | X          |
| Yale Vision Wireless Verification                                |            | X          |
| Pedestrian Awareness Camera                                      |            | X          |
| Load Weight Indicator  |            | X          |
| Operator Presence System   | X          |            |
| Camera System (Rear / front mounted) with LCD display            |            | X          |
| Speed reduction with elevated mast                               |            | X          |
| <b>APPEARANCE</b>  | <b>STD</b> | <b>OPT</b> |
| Yale yellow paint base truck                                     | X          |            |
| <b>SUPPLEMENTAL</b>  | <b>STD</b> | <b>OPT</b> |
| 12 Month / 2000 hour Limited Warranty (parts only)               | X          |            |
| 5 years / 3000 cycles Integrated Li-ion Battery Warranty         | X          |            |
| 2 years Li-ion Charger Warranty                                  | X          |            |

**NOTES:**

\* Operating performance may be restricted below 14°F. Please consult the Operator Manual  
Option availability varies by region



Yale Lift Truck Technologies  
P.O. Box 7367  
Greenville, NC 27835-7367  
U.S.A.

yale.com

© 2026 Hyster-Yale Materials Handling, Inc., all rights reserved. YALE and [LOGO] are trademarks of Hyster-Yale Materials Handling, Inc. Trucks may be shown with optional equipment and/or features not available in all

regions. Truck performance may be affected by the condition of the vehicle, how it is equipped and the application. Specifications are subject to change without notice. Consult your Yale® Dealer if any of the information shown is critical to your application.

CERTIFICATION: Yale lift trucks meet the design and construction requirements of B56.1-1969, per OSHA Section 1910.178(a)(2), and also comply with the B56.1 revision in effect at time of manufacture.