



ERP80-110MXLG SERIES

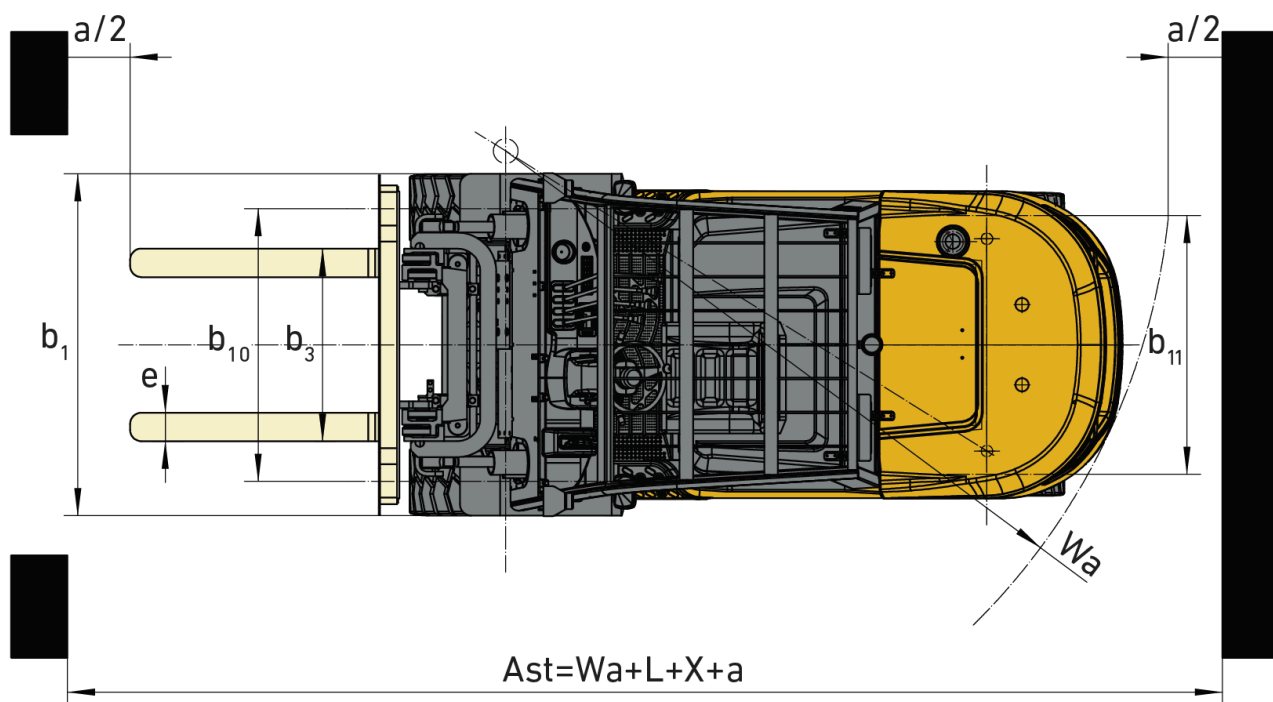
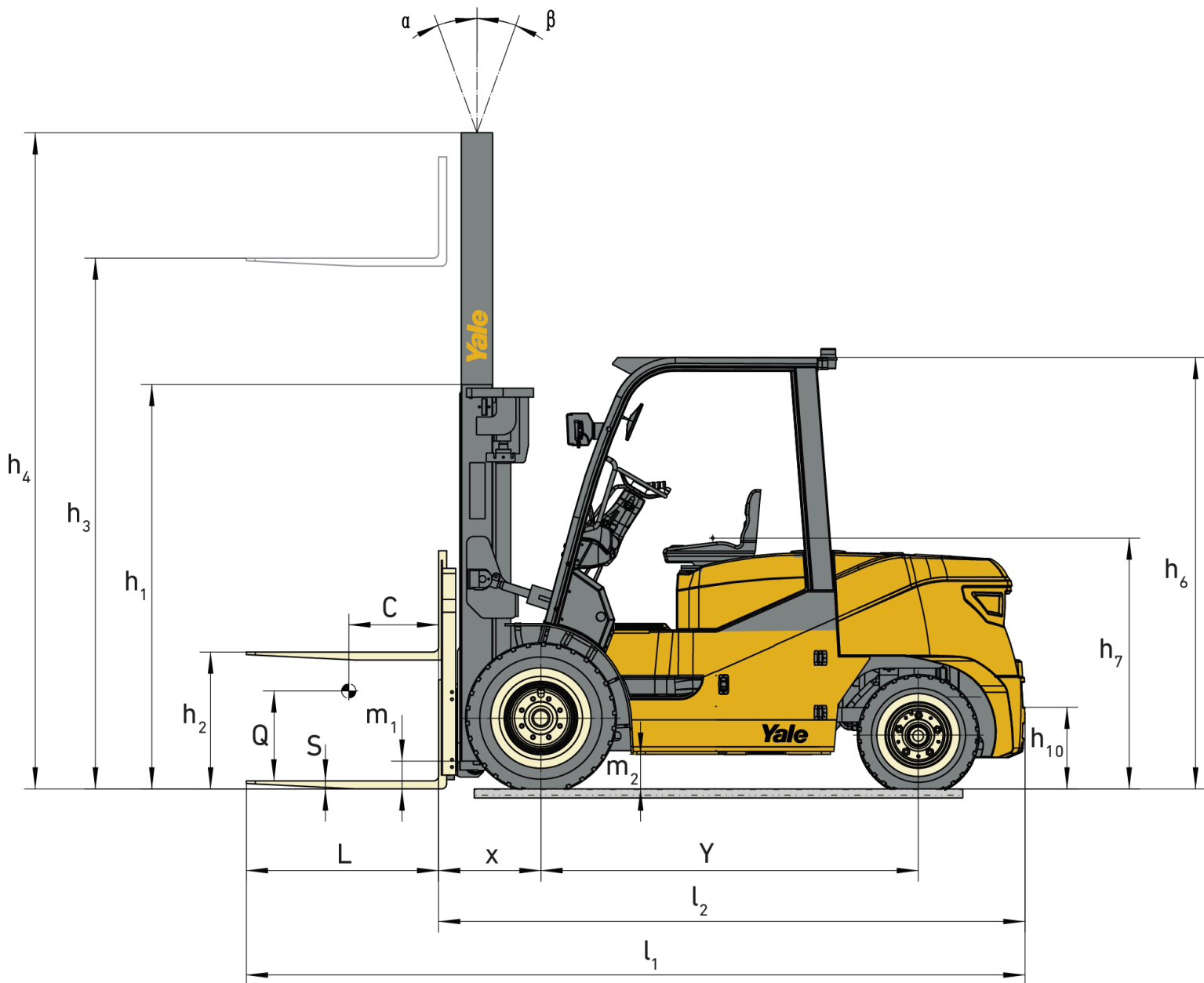
INTEGRATED LITHIUM-ION
COUNTERBALANCE FORKLIFT

Technical Specifications



A2A7 V1R0 11/05/2026

TOP & SIDE VIEW



TECHNICAL DATA

TECHNICAL DATA

Distinguishing mark	1.2	Model designation		ERP80MXLG	ERP90MXLG	ERP100MXLG	ERP110MXLGS
	1.1	Manufacturer		Yale	Yale	Yale	Yale
	1.3	Drive: electric(battery or mains), diesel, petrol, fuel gas		Electric	Electric	Electric	Electric
	1.4	Operator type: hand, pedestrian, standing, seated, order-picker		Seat	Seat	Seat	Seat
	1.5	Rated capacity/rated load	Q (kg)	3630	4170	4580	4800
	1.6	Load centre distance	c (mm)	610	610	610	610
	1.8	Load distance, centre of drive axle to fork	x (mm)	575	575	580	585
	1.9	Wheelbase (with mast vertical)	y (mm)	2102	2102	2102	2102
Weight	2.1	Service weight	kg	6545	6780	7165	7415
	2.2	Axle loading, laden front/rear	kg	9443/1080	10140/1087	10973/1167	10925/1490
	2.3	Axle loading, unladen front/rear	kg	2945/3600	3114/3666	3148/4017	3336/4079
Tyres, chassis	3.1	Tyres: Solid rubber, superelastic, pneumatic, polyurethane		pneumatic	pneumatic	pneumatic	pneumatic
	3.2	Tyre size, front		300-15-18PR	300-15-18PR	300-15-18PR	300-15-18PR
	3.3	Tyre size, rear		7.00-12-12PR	7.00-12-12PR	7.00-12-12PR	7.00-12-14PR
	3.5	wheels, number front/rear		2x2	2x2	2x2	2X2
	3.6	Tread, front	b10 (mm)	1190	1190	1190	1190
	3.7	Tread, rear	b11 (mm)	1130	1130	1130	1130
Dimensions	4.1	Tilt of mast/fork carriage, forward /backward	α / β (°)	6/12	6/12	6/12	6/12
	4.2	Height, mast lowered	h1 (mm)	2250	2250	2250	2250
	4.3	Free lift	h2 (mm)	150	150	155	160
	4.4	Lift	h3 (mm)	3000	3000	3000	3000
	4.5	Height, mast extended	h4 (mm)	4260	4260	4260	4420
	4.7	Height of overhead guard(cabin)	h6 (mm)	2250 (2400)	2250 (2400)	2250 (2400)	2250 (2400)
	4.8	Seat height/stand height	h7 (mm)	1350	1350	1350	1350
	4.12	Towing coupling height	h10 (mm)	340	340	340	340
	4.19	Overall length	l1 (mm)	4280	4280	4345	4530
	4.20	Length to face of forks	l2 (mm)	3210	3210	3275	3310
	4.21	Overall width, Std/Dual	b1/b2 (mm)	1490/1924	1490/1924	1490/1924	1490/1924
	4.22	Fork dimensions ISO2331	s/e/l (mm)	50/150/1070	50/150/1070	50/150/1070	60/150/1220
	4.23	Fork carriage ISO 2328. Class/type, A/B		ISO 3A	ISO 3A	ISO 3A	ISO 4A
	4.24	Fork carriage width	b3 (mm)	1380	1380	1380	1380
	4.31	Ground clearance, laden, below mast	m1 (mm)	130	130	130	130
4.32	Ground clearance, centre of wheelbase	m2 (mm)	186	186	186	186	
4.33	Load dimension b 12*/6 crossways	b12*l6(mm)	1000x1000	1000x1000	1000x1000	1000x1000	
4.34	Aisle width with no load dimensions	Ast (mm)	4625	4625	4685	4715	
4.34.1	Aisle width with pallets 1000mm x 1200mm crossways	Ast (mm)	4625	4625	4685	4715	
4.34.2	Aisle width with pallets 800mm x 1200mm lengthways	Ast (mm)	4825	4825	4885	4915	
4.35	Turning radius	Wa (mm)	2850	2850	2905	2930	
4.36	Internal turning radius	b13(mm)	845	845	845	845	
Performance data	5.1	Travel speed, laden/unladen	km/h	18/18	18/18	18/18	18/18
	5.1.1	Travel speed, laden/unladen, backwards	km/h	14/14	14/14	14/14	14/14
	5.2	Lifting speed, laden/unladen	mm/s	400/480	400/480	400/480	400/480
	5.3	Lowering speed laden/unladen	mm/s	480/500	480/500	480/500	480/500
	5.6	Max. drawbar pull laden/unladen	N	33000/25000	33000/25000	33000/25000	33000/25000
5.7	Gradeability, laden/unladen	%	20/25	20/25	20/25	20/25	

Distinguishing mark	1.2	Model designation		ERP80MXLG	ERP90MXLG	ERP100MXLG	ERP110MXLGS
	5.9	Acceleration time, laden/unladen	sec	6.1/5.14	6.1/5.14	6.1/5.14	6.1/5.14
	5.10	Service brake		Hydraulic	Hydraulic	Hydraulic	Hydraulic
Electric-Motor	6.1	Drive Motor Rating, S2, 60min	hp/rpm	40.2hp/2400rpm	40.2hp/2400rpm	40.2hp/2400rpm	40.2hp/2400rpm
	6.2	Lifting motor rating at S3 15%	hp	33.5	33.5	33.5	33.5
	6.3	Battery according to DIN 43531/35/36 A, B, C, no		No	No	No	No
	6.4	Battery voltage/nominal capacity (5hr rate)	V / Ah	154.5V302Ah (HYG)	154.5V302Ah (HYG)	154.5V302Ah (HYG)	154.5V302Ah (HYG)
	6.5	Battery weight	kg	427	427	427	427
	6.6	Energy consumption according to VDI cycle	kWh/h	12.19	12.63	13.35	13.81
	6.7	Turnover output	t/h	148	153	162	167
	6.8	Energy consumption at turnover output	t/kWh	8	8	8	9
	8.1	Type of drive unit		PM AC	PM AC	PM AC	PM AC
Additional data	10.1	Operating pressure for attachments	bar	195	195	195	195
	10.2	Oil volume for attachments	l/min	70	70	70	70
	10.7	Sound pressure level at the driver's seat	dB (A)	69.4	69.4	69.4	69.4
	10.7.1	Sound power level during the workcycle	dB (A)	86.2	86.2	86.2	86.2
	10.8	Towing coupling, type DIN		PIN	PIN	PIN	PIN

NOTES:

NOTES:

(1) Without load backrest. (2) H6 subject to $\pm 0.2^{\circ}$ (5mm) tolerance. (3) Full suspension seat in depressed position. (4) Add 1.26" (32mm) with load backrest. (5) Variable. (6) LPAZ, measured according to the test cycles and based on the weighting values contained in EN12053. Specification data is based on VDI 2198, with the following configuration: Complete truck with 118.1" (3000mm) 2-stage limited free lift mast, standard carriage and 42" (1070mm) forks, overhead guard and standard pneumatic drive and steer tires. CERTIFICATION: Yale lift trucks meet the design and construction requirements of B56.1-1989, per OSHA Section 1910.178(a)(2), and also comply with the B56.1 revision in effect at time of manufacture. Certification of compliance with the applicable ANSI standards appears on the lift truck. Performance specifications are for a truck equipped as described under Standard Equipment on this technical guide. Performance specifications are affected by the condition of the vehicle and how it is equipped, as well as by the nature, condition of the operating area, proper service and maintenance of the vehicle. If these specifications are critical, the proposed application should be discussed with your dealer.

MAST DIMENSIONS

ERP80MXLG Max Capacity@MFH LC 610mm - Front single Pneumatic Shaped Solid tire

Range	Max.Lift Height (mm)	Lowered Height (mm)	Extended Height without LBR (mm)	Extended Height with LBR (mm)	Free Lift Height without LBR (mm)	Tilt	Without sideshift (kg)	With 54" Integral Sideshift Carriage (kg)	With 54" Hang on Sideshift Carriage (kg)	56" Integral Sideshift Carriage and Fork Positioner (kg)
2LFL	3000	2250	3855	4260	150	6°/12°	4170	4010	3860	3800
	3300	2400	4155	4560	150	6°/12°	4160	4000	3860	3790
	3500	2500	4355	4760	150	6°/12°	4150	4000	3850	3780
	3700	2600	4605	5010	150	6°/12°	4140	3980	3840	3770
	4000	2800	4855	5260	150	6°/12°	4070	3920	3770	3710
	4500	3050	5355	5760	150	6°/6°	3960	3810	3670	3600
	5000	3300	5855	6260	150	6°/6°	3750	3670	3560	3490
	5500	3600	6355	6760	150	3°/6°	3270	3210	3140	3070
2FFL	3000	2250	3855	4250	1425	6°/12°	4090	3930	3790	3720
	3300	2400	4155	4550	1575	6°/12°	4080	3930	3780	3720
	3500	2500	4355	4750	1675	6°/12°	4070	3920	3770	3700
	3750	2625	4605	5000	1800	6°/12°	4060	3910	3760	3700
3FFL	4000	2800	4855	5250	1975	6°/12°	4010	3860	3710	3650
	4000	2110	4880	5265	1275	6°/6°	3770	3630	3500	3430
	4350	2235	5230	5615	1395	6°/6°	3700	3570	3430	3360
	4500	2285	5385	5770	1450	6°/6°	3670	3530	3400	3330
	4800	2385	5685	6070	1545	6°/6°	3430	3330	3230	3190
	5000	2485	5880	6265	1645	6°/6°	3280	3180	3090	3050
	5400	2610	6275	6660	1770	3°/6°	2980	2900	2810	2750
6000	2850	6875	7260	2010	3°/6°	2560	2490	2420	2350	
6500	3050	7375	7760	2210	3°/6°	2240	2190	2120	2040	

ERP90MXLG Max Capacity@MFH LC 610mm - Front single Pneumatic Shaped Solid tire

Range	Max.Lift Height (mm)	Lowered Height (mm)	Extended Height without LBR (mm)	Extended Height with LBR (mm)	Free Lift Height without LBR (mm)	Tilt	Without sideshift (kg)	With 54" Integral Sideshift Carriage (kg)	With 54" Hang on Sideshift Carriage (kg)	56" Integral Sideshift Carriage and Fork Positioner (kg)
2LFL	3000	2250	3855	4260	150	6°/12°	4170	4010	3860	3800
	3300	2400	4155	4560	150	6°/12°	4160	4000	3860	3790
	3500	2500	4355	4760	150	6°/12°	4150	4000	3850	3780
	3700	2600	4605	5010	150	6°/12°	4140	3980	3840	3770
	4000	2800	4855	5260	150	6°/12°	4070	3920	3770	3710
	4500	3050	5355	5760	150	6°/6°	3960	3810	3670	3600
	5000	3300	5855	6260	150	6°/6°	3750	3670	3560	3490
	5500	3600	6355	6760	150	3°/6°	3270	3210	3140	3070
2FFL	3000	2250	3855	4250	1425	6°/12°	4090	3930	3790	3720
	3300	2400	4155	4550	1575	6°/12°	4080	3930	3780	3720
	3500	2500	4355	4750	1675	6°/12°	4070	3920	3770	3700
	3750	2625	4605	5000	1800	6°/12°	4060	3910	3760	3700
	4000	2800	4855	5250	1975	6°/12°	4010	3860	3710	3650
3FFL	4000	2110	4880	5265	1275	6°/6°	3770	3630	3500	3430
	4350	2235	5230	5615	1395	6°/6°	3700	3570	3430	3360
	4500	2285	5385	5770	1450	6°/6°	3670	3530	3400	3330
	4800	2385	5685	6070	1545	6°/6°	3430	3330	3230	3190
	5000	2485	5880	6265	1645	6°/6°	3280	3180	3090	3050
	5400	2610	6275	6660	1770	3°/6°	2980	2900	2810	2750
6000	2850	6875	7260	2010	3°/6°	2560	2490	2420	2350	

Range	Max.Lift Height (mm)	Lowered Height (mm)	Extended Height without LBR (mm)	Extended Height with LBR (mm)	Free Lift Height without LBR (mm)	Tilt	Without sideshift (kg)	With 54" Integral Sideshift Carriage (kg)	With 54" Hang on Sideshift Carriage (kg)	56" Integral Sideshift Carriage and Fork Positioner (kg)
	6500	3050	7375	7760	2210	3°/6°	2240	2190	2120	2040

ERP100MXLG Max Capacity@MFH LC 610mm - Front single Pneumatic Shaped Solid tire

Range	Max.Lift Height (mm)	Lowered Height (mm)	Extended Height without LBR (mm)	Extended Height with LBR (mm)	Free Lift Height without LBR (mm)	Tilt	Without sideshift (kg)	With 54" Integral Sideshift Carriage (kg)	With 54" Hang on Sideshift Carriage (kg)	56" Integral Sideshift Carriage and Fork Positioner (kg)
2LFL	3000	2250	3855	4260	155	6°/12°	4580	4410	4260	4190
	3300	2400	4155	4560	155	6°/12°	4580	4400	4250	4180
	3500	2500	4355	4760	155	6°/12°	4570	4400	4240	4170
	3700	2600	4605	5010	155	6°/12°	4560	4390	4230	4160
	4000	2800	4855	5260	155	6°/12°	4480	4320	4160	4100
	4500	3050	5355	5760	155	6°/6°	4370	4210	4060	3990
	5000	3300	5855	6260	155	6°/6°	4160	4080	3940	3880
	5500	3600	6355	6760	155	3°/6°	3650	3590	3510	3440
2FFL	6000	3850	6855	7260	155	3°/6°	3190	3130	3060	2980
	3000	2250	3855	4250	1430	6°/12°	4570	4400	4240	4170
	3300	2400	4155	4550	1580	6°/12°	4560	4390	4240	4170
	3500	2500	4355	4750	1680	6°/12°	4550	4380	4220	4160
	3750	2625	4605	5000	1805	6°/12°	4540	4370	4210	4150
	4000	2800	4855	5250	1980	6°/12°	4480	4320	4160	4100
3FFL	4000	2110	4880	5265	1280	6°/6°	4170	4020	3870	3800
	4350	2235	5230	5615	1400	6°/6°	4090	3950	3800	3730
	4500	2285	5385	5770	1455	6°/6°	4060	3910	3770	3700
	4800	2385	5685	6070	1550	6°/6°	3830	3720	3610	3560
	5000	2485	5880	6265	1650	6°/6°	3680	3560	3450	3410
	5400	2610	6275	6660	1775	3°/6°	3350	3250	3160	3100
	6000	2850	6875	7260	2015	3°/6°	2920	2830	2750	2680
6500	3050	7375	7760	2215	3°/6°	2560	2510	2420	2350	

ERP110MXLGS Max Capacity@MF LC 610mm - Front single Pneumatic Shaped Solid tire

Range	Max.Lift Height (mm)	Lowered Height (mm)	Extended Height without LBR (mm)	Extended Height with LBR (mm)	Free Lift Height without LBR (mm)	Tilt	Without sideshift (kg)	With 54" Integral Sideshift Carriage (kg)	With 54" Hang on Sideshift Carriage (kg)	56" Integral Sideshift Carriage and Fork Positioner (kg)
2LFL	3000	2250	3855	4420	160	6°/12°	4800	4800	4800	4760
	3300	2400	4155	4720	160	6°/12°	4800	4800	4800	4760
	3500	2500	4355	4920	160	6°/12°	4800	4800	4800	4750
	3700	2600	4605	5170	160	6°/12°	4800	4800	4800	4740
	4000	2800	4855	5420	160	6°/12°	4750	4750	4750	4670
	4500	3050	5355	5920	160	6°/6°	4650	4650	4640	4560
	5000	3300	5855	6420	160	6°/6°	4360	4280	4110	4040
	5500	3600	6355	6920	160	3°/6°	3830	3760	3600	3530
	6000	3850	6855	7420	160	3°/6°	3330	3280	3120	3030
2FFL	3000	2250	3855	4410	1435	6°/12°	4800	4800	4720	4640
	3300	2400	4155	4710	1585	6°/12°	4800	4800	4720	4640
	3500	2500	4355	4910	1685	6°/12°	4800	4800	4710	4630
	3750	2625	4605	5160	1810	6°/12°	4800	4800	4700	4620
	4000	2800	4855	5410	1985	6°/12°	4750	4750	4650	4560
3FFL	4000	2110	4880	5425	1285	6°/6°	4520	4370	4110	4020
	4350	2235	5230	5775	1405	6°/6°	4450	4290	4040	3950
	4500	2285	5385	5930	1460	6°/6°	4360	4200	4010	3920

Range	Max.Lift Height (mm)	Lowered Height (mm)	Extended Height without LBR (mm)	Extended Height with LBR (mm)	Free Lift Height without LBR (mm)	Tilt	Without sideshift (kg)	With 54" Integral Sideshift Carriage (kg)	With 54" Hang on Sideshift Carriage (kg)	56" Integral Sideshift Carriage and Fork Positioner (kg)
	4800	2385	5685	6230	1555	6°/6°	4100	3960	3760	3730
	5000	2485	5880	6425	1655	6°/6°	3950	3810	3620	3580
	5400	2610	6275	6820	1780	3°/6°	3640	3510	3330	3280
	6000	2850	6875	7420	2020	3°/6°	3200	3090	2920	2860
	6500	3050	7375	7920	2220	3°/6°	2850	2770	2600	2520

Yale Lithium-Ion Battery Specifications

Description	Units	
Nominal Voltage	V	154.6
Chemistry		Lithium Iron Phosphate (LFP)
Nominal Energy Capacity	kWh	272
Charging Temperature	°F (°C)	32 to 113 (0 to 45)
Operating Temperature	°F (°C)	14 to 113 (-10 to 45)
IP Rating		IP54
3rd Party Rating		UL Listed

NOTES:

* Operating performance may be restricted below -14 F please consult the Operator Manual.

Yale Lithium-Ion Charger Specifications

	Item	Unit				
	Part Number	-	81023942	69208857	69208858	81023862
DC Output Specs	Rated Output Voltage	V	154	154	154	154
	Output current	A	100	100	100	150
	Typical output power	kW	15.4	15.4	15.4	23.1
	20-80% Charge Time Estimate	h	1.8	1.8	1.8	1.2
	Output Connector		GB/T	GB/T	GB/T	GB/T
	Protection	-	->	->	->	->
3 Phase AC Input Specs	Input Voltage	VAC	220	480	600	480
	Input Current	A	59.7	27.4	21.9	30.4
	Typical Grid Power Required	KVA	22.5	22.6	22.5	25.0
	Cable Length / Connector	ft (m)	10 (3) / Customer Provided Connector	10 (3) / Customer Provided Connector	10 (3) / Customer Provided Connector	10 (3) / Customer Provided Connector
Form Factor	Exterior Dimensions (LxWxH)	in (mm)	22x13x44 (558x353x1128)	24x17x32 (618x435x815)	24x17x43 (618x430x1100)	24x17x32 (618x435x815)
	Weight	lb (kg)	297 (135)	165 (75)	359 (163)	165 (75)
Environmental Conditions	Working environment temperature	°F (°C)	-22 to 158°F (-30 to 70°C)	-22 to 158°F (-30 to 70°C)	-22 to 158°F (-30 to 70°C)	-22 to 158°F (-30 to 70°C)
	Storage temperature	°F (°C)	-22 to 158°F (-30 to 70°C)	-22 to 158°F (-30 to 70°C)	-22 to 158°F (-30 to 70°C)	-22 to 158°F (-30 to 70°C)
	Relative humidity	%	0-95%	0-95%	0-95%	0-95%
	Altitude	ft (m)	≤ 6562 (2000) full load 6562-9843 (2000-3000) derated	≤ 6562 (2000) full load 6562-9843 (2000-3000) derated	≤ 6562 (2000) full load 6562-9843 (2000-3000) derated	≤ 6562 (2000) full load 6562-9843 (2000-3000) derated
	Ingress Protection Rating	-	IP54	IP54	IP54	IP54
Other	3rd Party Rating	-	UL 1564 Compliant	UL 1564 Compliant	UL 1564 Compliant	UL 1564 Compliant
	Warranty Term	-	->	->	->	->

NOTES:

* Periodic full discharge and charge needed to balance cells and maintain battery warranty. See full warranty statement for complete details

** Short circuit, overcurrent, overvoltage, reverse connection, current backflow protection, isolation

*** Breaker typically 25% greater than input current, consult electrical professional for your situation

OPTIONS INFORMATION

Options Information - North America

PERFORMANCE	STD	OPT
154.5 Volt electrical system with GB250 Connection	x	
Standard (-10° C to 45° C) Environmental construction	x	
Drum Brakes	x	
Antistatic Strap	x	
154.5V302Ah (46.7kWh) Integrated Li-ion battery	x	
Charger (220V Three Phase Input / 100A Output)		x
Charger (480V Three Phase Input / 100A Output)	x	
Charger (600V Three Phase Input / 100A Output)		x
Charger (480V Three Phase Input / 150A Output)		x
Battery Disconnect	x	
Directional Lever	x	
Foot Directional Control (FDC)		x
Standard Tread tires	x	
Dual Tread tires		x
Tires - Super Elastic	x	
Tires - Super Elastic - Non Marking		x
Tires - Pneumatic Radial		x
Steering Column Mounted Directional Control	x	
Steering Wheel with Spinner Knob	x	
Steer Column with Infinitely Adjustable Tilt	x	
On Demand Power Steering	x	
2 Stage Limited Free Lift Mast – Class III	x	
3 Stage Full Free Lift Mast – Class III		x
6° Forward / 12° Back Mast Tilt	x	
6° Forward / 6° Back Mast Tilt		x
6° Forward / 10° Back Mast Tilt (for cab)		x
3° Forward / 6° Back Mast Tilt		x
Tilt Cylinder Boots		x
Hook Type Standard Carriage - 54" Class 3/4	x	
Hook Type Standard Carriage - 63" Class 3/4		x
Hook Type Standard Carriage - 67" Class 3/4		x
Hook Type Standard Carriage - 71" Class 3/4		x
Hook Type Integral Sideshift Carriage - 54" Class 3/4		x
54" Cascade Hang-On Sideshift Carriage (Hook Type Forks)		x
49" Cascade Hang-On Sideshift Carriage with Fork Positioner (Hook Type Forks)		x
42" Long Hook Type (2" x 5.9") Standard Tapered Forks	x	
Without Load backrest		x
47" High Load Backrest Class 3	x	
51.5" High Load Backrest Class 4		x
Manual Lever Hydraulic Control	x	
Clamping function		x
2 Function (0 Auxiliary) Hydraulic Valve		x

PERFORMANCE	STD	OPT
3 Function (1 Auxiliary) Hydraulic Valve	x	
4 Function (2 Auxiliary) Hydraulic Valve		x
LED Work lights		x
LED Rear light package Brake/Tail/Backup		x
LED Rear light package Brake/Tail/Backup/Turn		x
Audible Reverse Alarm		x
Switch Activated Strobe Light		x
Dual Side View Mirrors		x
Rear reflector	x	
Blue LED Pedestrian Awareness Spotlights		x
Red LED Pedestrian Awareness Perimeter Lines		x
Parking Alarm	x	
94" Overhead Guard	x	
Non Suspension Vinyl Seat with hip restraint		x
Full Suspension Vinyl Seat with hip restraint	x	
Full Suspension Vinyl Seat with hip re- straint or flip up armrest		
Standard Seat Belt with Interlock	x	
Cabin Options (Partial, Steel Doors)		x
Rear Drive Handle with Horn Button		x
Toolbox		x
LCD Dash Display	x	
Heater/Demister		x
Single USB Port		
Traction speed limiters		x
Key Switch Start	x	
Battery disconnect	x	
Telemetry Prepared	x	
Speed Reduction in Corners		x
Foot Direction Control		x
Yale Vision Wireless Monitoring	x	
Yale Vision Wireless Access		x
Yale Vision Wireless Verification		x
Pedestrian Awareness Camera		x
Load Weight Indicator		x
Operator Presence System	x	
Camera System (Rear / front mounted) with LCD display		x
Speed reduction with elevated mast		x
Yale yellow paint base truck	x	
12 Month / 2000 hour Limited Warranty (parts only)	x	
5 years / 3000 cycles Integrated Li-ion Battery Warranty	x	
2 years Li-ion Charger Warranty	x	