



# MPS 30UX

---

Light-duty lithium-ion  
walkie pallet jack

3,300 lbs.



# MPS30UX features

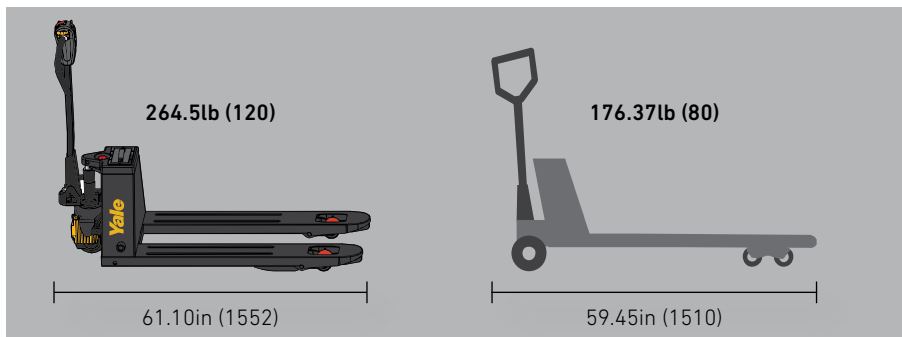
The Yale® MPS30UX lithium-ion powered pallet truck is a simple, cost-effective solution for less-demanding applications. Designed to be up to 3x more efficient than a manual pallet jack, this compact, lightweight and low-maintenance option meets demand, day after day--all backed by the trusted Yale name.

## PRODUCTIVITY

- Compact and lightweight design
- Powered travelling, lifting and lowering
- Efficiency is tripled over a hand pallet truck
- 6-second battery exchange; suitable for continuous operations
- Re-charge alert
- Intelligent Remote Control key +
- Large battery with 3-hour fast charger +
- Emergency reverse "belly" button
- Ergonomic, multi-function handle with LCD display to maximize uptime
- Easy and simple to maintain
- Maintenance free components; brushless drive motor and lithium-ion battery
- 60-second drive wheel replacement
- Durable steel frame and protective cover
- Performs well on gradients
- 59" (1500mm) load backrest +
- Retractable cargo belt +
- Stabilizer wheels (casters) +



+ = Optional equipment

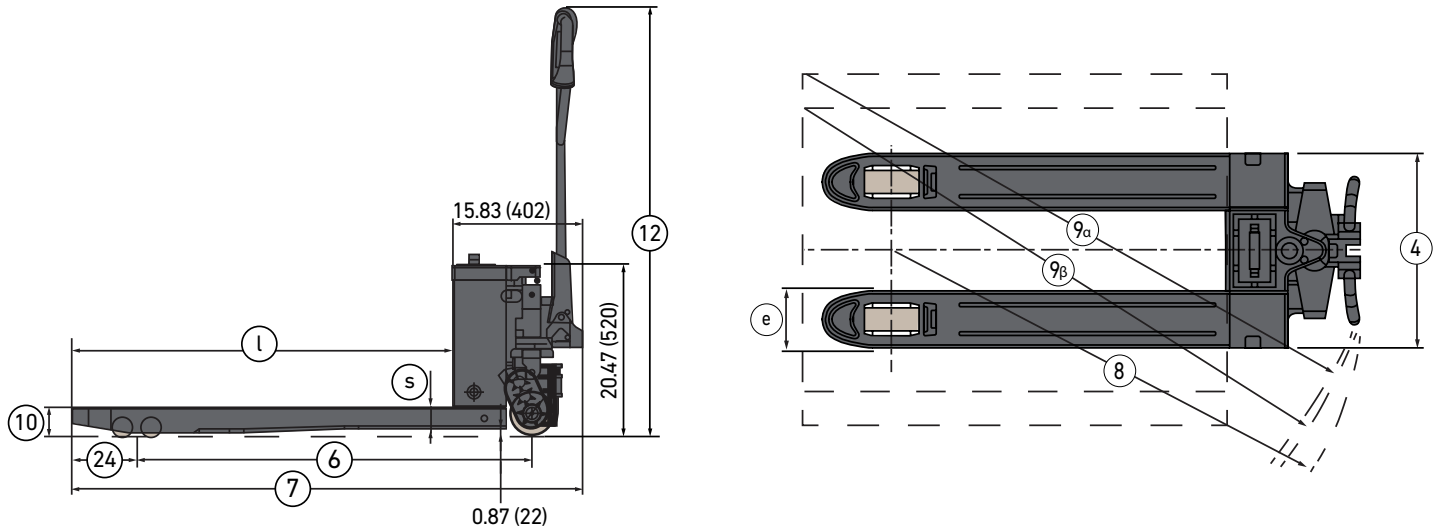


**POWERED PALLET VS HAND PALLET TRUCK**



**SINGLE/TANDEM LOAD WHEELS**

## TRUCK DIMENSIONS



Circled truck dimensions correspond to the line numbers in the General Specifications chart. Dimensions are listed in inches (millimeters).

## GENERAL SPECIFICATIONS

		GENERAL	
1	Operator type		Pedestrian
2	Rated capacity	lb. (kg)	3300 (1500)
3	Load center	in. (mm)	23.6 (600)
4	Overall fork width	in. (mm)	21.65 (550) / 26.97 (685)
5	Fork dimensions	s x e x l - in. (mm)	2.28 (58) x 6.30 (160) x 45.28 (1150)   2.28 (58) x 6.30 (160) x 48 (1220)
6	Wheelbase	in. (mm)	47.12 (1197) / 49.88 (1267)
7	Overall length	in. (mm)	61.10 (1552) / (63.86) 1622
8	Turning radius (raised)	in. (mm)	53.26 (1353) / 56.14 (1426)
9	Right angle stack (39.37 x 47.24 crossway / 31.50 x 47.24 lengthways)	$\alpha$ / $\beta$ - in. (mm)	$\alpha$ 67.64 (1718) / $\beta$ 66.41 (1687)
10	Lowered height - top of forks	in. (mm)	3.23 (82)
11	Total lift	in. (mm)	4.52 (115)
12	Height of tiller (max.)	in. (mm)	32.28 (820) / 45.28 (1150)
13	Maximum gradeability (loaded/unloaded)	%	6 / 20
14	Travel speed (loaded/unloaded)	mph (km/h)	2.5 (4.0) / 2.80 (4.5)
15	Control type		DC
16	Drive / lift motor	Kw	0.75 / 0.5
17	Lift speed - loaded/unloaded (lowering speed - loaded/unloaded)	ft/min	3.54 / 4.53 (11 / 9)
18	Travel brake type		Regenerative
19	Service brake type		Electromagnetic
20	Service weight (including battery)	lb. (kg)	264.55 (120) / 275.58 (125)
21	Axle loading - laden front / rear / unladen front/rear	lb. (kg)	2,500 (1134) / 1,071.4 (486) / 194 (88) / 70.5 (32)
22	Drive wheel x(1)	in. (mm)	Ø5.51 (140) x 2.16 (55) Poly (1)
23	Load wheel (single x(2) / dual x(4))	in. (mm)	Ø3.15 (80) x 3.66 (93) Poly   Ø3.14 (80) x 2.75 (70) poly
24	Load wheel center to fork tip (raised/lowered)	in. (mm)	10.71 (272) / 7.80 (198)
25	Battery type		Lithium
26	Battery capacity	Ah	10 / 15
27	Battery voltage	V	48
28	Power consumption in accordance with VDI cycle	kWh/h	0.42
29	Sound level at the driver's ear according to EN12053	dB (A)	69

# About Yale

Yale Lift Truck Technologies leverages over a century of material handling experience and substantial investment in innovation to bring the most advanced technology-driven lift truck solutions to market. The company offers a full line of award-winning lift trucks, including reach trucks, order pickers, turret trucks, pallet jacks and trucks, pallet stackers, tow tractors and counterbalanced forklifts, as well as powerful operator assist solutions, proven robotics and a wide range of power sources to help customers adapt to today's demanding supply chain. Yale and its independent dealer network support these solutions with comprehensive after-sales service, parts, financing and training.



Yale Lift Truck Technologies  
P.O. Box 7367  
Greenville, NC 27835-7367  
U.S.A.

**yale.com**



EXPLORE MORE  
ONLINE.



## MATERIALS HANDLING FOR:

Third-party logistics (3PL)

Auto parts distribution

Beverage

Cold & frozen foods

Food distribution

Food processing

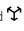
Furniture & furnishings

Government

Health & pharma

Home centers & durables

Retail & e-commerce

© 2025 Hyster-Yale Materials Handling, Inc., all rights reserved. YALE and  are trademarks of Hyster-Yale Materials Handling, Inc.

Trucks may be shown with optional equipment and/or features not available in all regions. Truck performance may be affected by the condition of the vehicle, how it is equipped and the application. Specifications are subject to change without notice. Consult your Yale® Dealer if any of the information shown is critical to your application.

CERTIFICATION: Yale lift trucks meet the design and construction requirements of B56.1-1969, per OSHA Section 1910.178(a)(2), and also comply with the B56.1 revision in effect at time of manufacture.