



# MPB 045VH

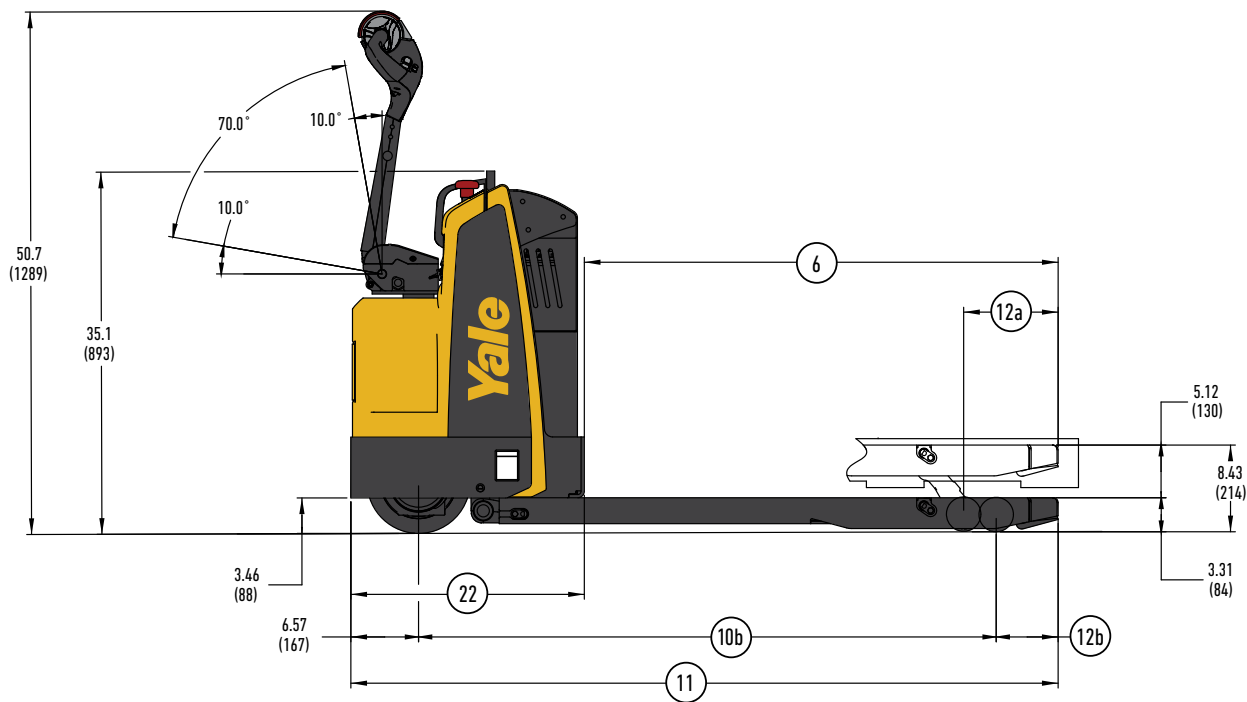
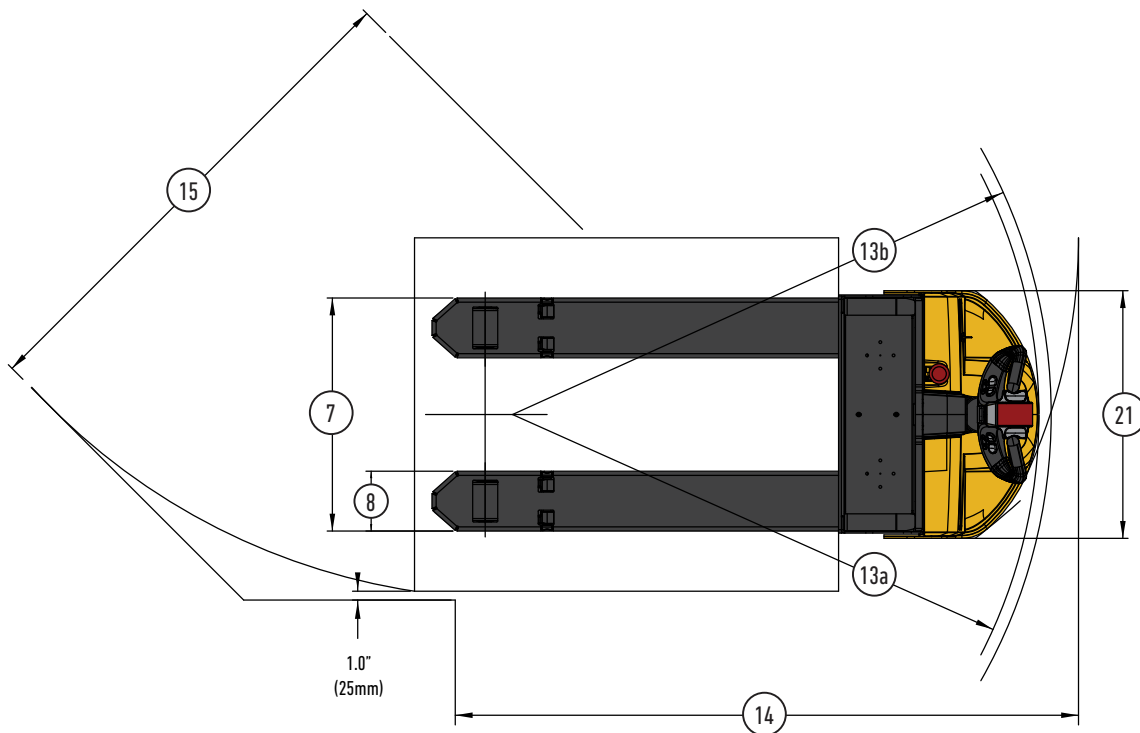
SPEC SHEET

Electric walkie  
pallet jack

---

4,500 lbs.

TRUCK DIMENSIONS - MPB045VH



Circled truck dimensions correspond to the line numbers in the General Specifications chart. Dimensions are listed in inches (millimeters).

**GENERAL SPECIFICATIONS - MPB045VH**

				Yale				
GENERAL	1	Manufacturer		Yale				
	2	Model designation		MPB045VH				
	3	Power type		24 Volt				
	4	Operator type		Pedestrian				
	5	Rated capacity		lb. (kg)	4500 (2041)			
	6a	Fork length	Nominal	in. (mm)	36 (914)	42 (1067)	48 (1219)	48 (1219)
	6b		Actual	in. (mm)	34 (866)	42.7 (1084)	46 (1169)	48 (1219)
	7	Fork overall width		in. (mm)	26.4 (670)	26.4 (670)	26.4 (670)	26.4 (670)
	8	Fork width	Individual fork	in. (mm)	7 (172)			
9	Load distance	Face of forks to center of load wheels - lowered	in. (mm)	28 (713)	37 (931)	40 (1016)	40 (1016)	
DIMENSIONS	10a	Wheelbase	Raised	in. (mm)	41.0 (1042)	49.6 (1261)	53.0 (1346)	53.0 (1346)
	10b		Lowered	in. (mm)	44.2 (1122)	52.8 (1340)	56.1 (1425)	56.1 (1425)
	11	Overall length		in. (mm)	56.8 (1442)	66.3 (1683)	68.7 (1745)	70.7 (1795)
	12a	Center of load wheel to tip of forks	Raised	in. (mm)	9.2 (234)	9.2 (234)	9.2 (234)	11.1 (283)
	12b		Lowered	in. (mm)	6.0 (153)	6.0 (153)	6.0 (153)	6.0 (153)
	13a	Outside turning radius (bumper)	Raised	in. (mm)	47.6 (1208)	57.1 (1449)	59.5 (1511)	59.5 (1511)
	13b		Lowered	in. (mm)	50.8 (1289)	60.3 (1530)	62.7 (1592)	62.7 (1592)
	13b	Outside turning radius (handle)	Raised	in. (mm)	48.9 (1242)	57.5 (1460)	60.8 (1545)	60.8 (1545)
	14		Lowered	in. (mm)	52.1 (1324)	61.6 (1565)	64.1 (1627)	64.1 (1627)
	14	Right angle stack	Raised	in. (mm)	59.9 (1521)	62.5 (1588)	70.6 (1792)	70.6 (1792)
	15	Equal intersecting aisle	Raised	in. (mm)	48.4 (1230)	55.0 (1396)	56.5 (1435)	56.5 (1435)
	17a	Grade clearance	Chassis	%	67			
	17b		Center of wheelbase	%	45	36	34	34
	17c		Forks	%	74	74	74	59
	18	Overall lift height	Top of forks	in. (mm)	8.4 (214)			
	19	Lowered height	Top of forks	in. (mm)	3.3 (84)			
	20	Total lift		in. (mm)	5.1 (130)			
	21	Truck overall width		in. (mm)	28.0 (712)			
	22	Chassis length		in. (mm)	22.7 (576)			
	23	Battery compartment	Standard	in. (mm)	26.5 x 8.2 x OPEN (672 x 208 x OPEN)			
PERFORMANCE	24	Maximum travel speed	Chassis first - NL/RL	mph (kph)	3.7/3.7 (6.0/6.0)	3.7/3.7 (6.0/6.0)	3.7/3.7 (6.0/6.0)	3.7/3.7 (6.0/6.0)
	25		Forks first - NL/RL	mph (kph)	3.7/3.7 (6.0/6.0)	3.7/3.7 (6.0/6.0)	3.7/3.7 (6.0/6.0)	3.7/3.7 (6.0/6.0)
	26	Number of speeds		Infinitely variable				
	27	Traction motor control method type		AC transistor				
28	Service brake type		Electro-mechanical					
WEIGHT	29	Truck weight (approximate) without battery - NL/RL		lb. (kg)	624.0/5124.0 (283.0/2324.0)	650.0/5150.0 (295.0/2336.0)	659.0/5159.0 (299.0/2340.0)	659.0/5159.0 (299.0/2340.0)
	30	Axle loading - drive - static w/max. weight battery - NL		lb. (kg)	767 (348)	783 (355)	783 (355)	783 (355)
	31	Axle loading - load wheel - static w/max. wt battery - NL		lb. (kg)	137 (62)	128 (58)	128 (58)	128 (58)
WHEELS	32	Drive tire	Size/type (number of wheels)	in.	10.0 x 4.0/Press-on smooth rubber (1)			
	33	Load wheel	Size/type (number of wheels)	in.	3.25 x 4.3/Polyurethane (2)			
	34	Caster wheel	Size/type (number of wheels)*	in.	3.93 x 1.57/Spring loaded polyurethane (2)			
BATTERY	35	Battery type		Lead acid   Thin Plate Pure Lead**   Lithium-ion**				
	36	Ampere hours	Maximum	ah	300			
	37		Minimum	ah	158			
	38	Maximum weight		lb. (kg)	377 (171)			
	39	Minimum weight		lb. (kg)	309 (140)			

RL = rated load, NL = no load

NOTE: Above specifications, unless otherwise listed, are for a standard truck without optional equipment.

Right angle stack and equal intersecting aisle are calculated using a 40" wide pallet.

\* = Optional equipment

\*\* Optional with Yale Power Key

### BATTERY & COMPARTMENT SPECIFICATIONS - MPB045VH - FACTORY INSTALLED

Battery type	Battery compartment dimensions			Battery dimensions - max			Capacity amp-hours	Battery connector	Max capacity	Weight
	Width	Length	Height	"X"	"Y"	"Z"			6 Hr rate	
	in. (mm)	in. (mm)	in. (mm)	in. (mm)	in. (mm)	in. (mm)			amp hr (kwh)	lb. (kg)
Standard battery pack	26.5 (672)	8.2 (208)	Open	26.0 (660)	7.8 (198)	23.8 (605)	208	None	4.0	353 (160)
Agm battery	26.5 (672)	8.2 (208)	Open	26.0 (660)	7.8 (198)	23.8 (605)	224	None	4.4	388 (176)
Lithium-ion	26.5 (672)	6.0 (153)	Open	6.8 (172)	5.4 (137)	23.8 (605)	57	None	N/A	28.7 (13)
							114*	None	N/A	57.3 (26)*
							171**	None	N/A	86 (39)**

\* Configured with lithium-ion 2-pack  
 \*\* Configured with lithium-ion 3-pack

### BATTERY & COMPARTMENT SPECIFICATIONS - MPB045VH - DEALER/CUSTOMER INSTALLED

Battery type	Battery compartment dimensions			Battery dimensions - max			Capacity amp-hours	Battery connector	Max capacity	Weight
	Width	Length	Height	"X"	"Y"	"Z"			6 Hr rate	
	in. (mm)	in. (mm)	in. (mm)	in. (mm)	in. (mm)	in. (mm)			amp hr (kwh)	lb. (kg)
GNB PalletPro battery	26.5 (672)	8.2 (208)	Open	25.3 (643)	7.6 (193)	24.5 (623)	195	SB-175 Red	4.5	400 (181)
Industrial battery	26.5 (672)	9.1 (231)	Open	25.5 (648)	8.7 (221)	23.3 (591)	300	SB-175 Red	5.9	560 (254)

NOTES: a) Battery size is limited by rounded corners of battery compartment.  
 b) Cable lead position "B" c) 16" cable length d) Maximum cable gauge of 1/0

### 6" LITHIUM-ION BATTERY SPECIFICATIONS - MPB045VH

GENERAL	1	Manufacturer			Yale				
	2	Model designation			MPB045VH				
	3	Power type			24 Volt				
	4	Operator type			Pedestrian				
	5	Rated capacity			lb. (kg)	4500 (2041)			
DIMENSIONS	6a	Fork length	Nominal	in. (mm)	36 (914)	42 (1067)	48 (1219)	48 (1219)	
	6b		Actual	in. (mm)	34 (866)	42.7 (1084)	46 (1169)	48 (1219)	
	10a	Wheelbase	Raised	in. (mm)	38.5 (979)	47.2 (1199)	50.6 (1284)	50.6 (1284)	
	10b		Lowered	in. (mm)	41.7 (1060)	50.3 (1278)	53.7 (1363)	53.7 (1363)	
	11	Overall length			in. (mm)	54.3 (1380)	62.9 (1598)	66.3 (1683)	68.2 (1733)
	13a	Outside turning radius (bumper)	Raised	in. (mm)	46.5 (1180)	55.0 (1398)	58.4 (1483)	58.4 (1483)	
			Lowered	in. (mm)	49.5 (1258)	59.2 (1503)	61.5 (1561)	61.5 (1561)	
	14	Right angle stack		Raised	in. (mm)	57.4 (1459)	60.4 (1533)	68.3 (1734)	68.3 (1734)
	15	Equal intersecting aisle		Raised	in. (mm)	47.2 (1198)	53.7 (1364)	55.6 (1411)	55.6 (1411)
	22	Chassis length			in. (mm)	20.2 (514)	20.2 (514)	20.2 (514)	20.2 (514)
23	Battery compartment		Standard	in. (mm)	26.5 x 6.0 x OPEN (672 x 153 x OPEN)				

## FEATURES LIST - MPB045VH

PERFORMANCE	STD	OPT
24 Volt AC traction controlled electrical system		
- Sealed 200A transistor traction controller	●	
- Sealed 240A transistor traction controller		●
- Vertically mounted AC traction motor	●	
- ADS (Auto Deceleration System) w/ regenerative braking	●	
Three pre-programmed performance modes	●	
Two operator selectable performance levels	●	
Ramp hold with anti-roll back on grade	●	
Creep speed mode selection with handle in full upright position	●	
Power alternatives		
- Wet cell battery power pack		●
- Absorbed Glass Mat (AGM)		●
- Maintenance free battery power pack		●
- Lithium-Ion advanced performance power system - Three capacity amp hours options available 57, 114, and 171		●
Yale Smart Slow Down™		●
Yale Smart Lift™		●
CONSTRUCTION	STD	OPT
Battery compartment		
- 26.5" x 8.2" x open	●	
- 26.5" x 9.1" x open		●
- 26.5" x 6.0" x open		●
Soft touch keyed ignition switch	●	
IP65 sealed connectors	●	
Application/environmental construction		
- Standard construction operating temperatures: +32°F to +120°F	●	
- Cooler/freezer package - operating temperatures: 0°F to +120°F		●
- SubZero freezer package - operating temperatures: 40°F to +120°F		●
- Wash down package - operating temperatures: 0°F to +120°F		●
- Extreme corrosion /wash down package - operating temperatures: 0°F to +120°F		●
DRIVE	STD	OPT
Heavy duty drive unit	●	
Drive tire		
- 10" x 4" press-on rubber	●	
- 10" x 4" press-on non-marking rubber		●
- 10" x 4" press-on smooth polyurethane		●
- 10" x 4" molded-on smooth polyurethane		●
- 10" x 4" press-on red EZ polyurethane		●
- 10" x 4" molded-on NDIIthane		●
Load wheels		
- 3.25" x 4.3" single polyurethane	●	
- 3.25" x 4.3" single NDIIthane		●
- Stainless steel greaseable or sealed bearings		●
Stabilizers		
- Adjustable bolt-on stability tabs		●
- Heavy duty quick adjust casters or sealed wheel or sealed wheel and pivot bearing		●
LIFT	STD	OPT
Heavy duty lift pump and single hydraulic lift cylinder	●	
Lift time-out at full lift height	●	

HANDLING	STD	OPT
Heavy duty pallet fork design		
- 3.3" Lowered / 5.1" lift height / 8.4" overall raised height		
- Heavy duty torsion bar linkage connection		
- Heavy duty long life lift linkage with lubrication fittings	●	
- "X" groove style greaseable pivot bushings		
- Hardened bolt retained flag linkage pins		
- Flush pallet stop		
Pallet fork lengths		
- 34" short flat tip - no taper		●
- 42" short flat tip - no taper		●
- 46" short flat tip - no taper	●	
- 48" standard tip		●
Fork overall width		
- 26.4" (670mm)	●	
- 22" (560mm)		●
Load backrest		
- 48" high bolt-on		●
- 54" high bolt-on		●
- 60" high bolt-on		●
- 72" high bolt-on		●
- 64.8" high moveable		●
ERGONOMICS	STD	OPT
Control handle	●	
Cast aluminum control handle		●
Delivery control handle		●
OPERATION	STD	OPT
Multi-function display with hour meter		
- Battery state of charge	●	
- Low battery lift interrupt		
- Fault indicator		
Cowl mounted power disconnect switch	●	
Electro-mechanical park brake	●	
Brake over-ride	●	
Electronic horn	●	
Battery charger		●
- 20 amp 110 volt on-board high frequency smart charger		●
Load backrest mounted or magnetic battery mounted convenience tray		●
Brake override drive / tow switch		●
Self-adjusting audible alarm		●
APPEARANCE	STD	OPT
One piece impact resistant power unit cover	●	
ENERGY SYSTEM	STD	OPT
Set for flooded cell	●	
Set for maintenance free		●
Integrated lithium ion (SPED)		●
Yale Power Key		●
SUPPLEMENTAL	STD	OPT
Operating manual	●	
12 Months / unlimited hour manufacturer's warranty	●	
36 Months / 6,000 hour powertrain warranty	●	
Lifetime frame warranty	●	

# About Yale



Yale Lift Truck Technologies leverages over a century of material handling experience and substantial investment in innovation to bring the most advanced technology-driven lift truck solutions to market. The company offers a full line of award-winning lift trucks, including reach trucks, order pickers, turret trucks, pallet jacks and trucks, pallet stackers, tow tractors and counterbalanced forklifts, as well as powerful operator assist solutions, proven robotics and a wide range of power sources to help customers adapt to today's demanding supply chain. Yale and its independent dealer network support these solutions with comprehensive after-sales service, parts, financing and training.

## MATERIALS HANDLING FOR:

Third-party logistics (3PL)

Auto parts distribution

Beverage

Cold & frozen foods

Food distribution

Food processing

Furniture & furnishings

Government

Health & pharma

Home centers & durables

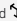
Retail & e-commerce

Yale Lift Truck Technologies  
P.O. Box 7367  
Greenville, NC 27835-7367  
U.S.A.

**yale.com**



EXPLORE MORE  
ONLINE.  
←

© 2023 Hyster-Yale Group, Inc., all rights reserved. YALE and  are trademarks of Hyster-Yale Group, Inc.

Trucks may be shown with optional equipment and/or features not available in all regions. Truck performance may be affected by the condition of the vehicle, how it is equipped and the application. Specifications are subject to change without notice. Consult your Yale® Dealer if any of the information shown is critical to your application.

CERTIFICATION: Yale lift trucks meet the design and construction requirements of B56.1-1969, per OSHA Section 1910.178(a)(2), and also comply with the B56.1 revision in effect at time of manufacture. Classified by Underwriters' Laboratories, Inc.