

# M0 series

10,000 - 15,000lb

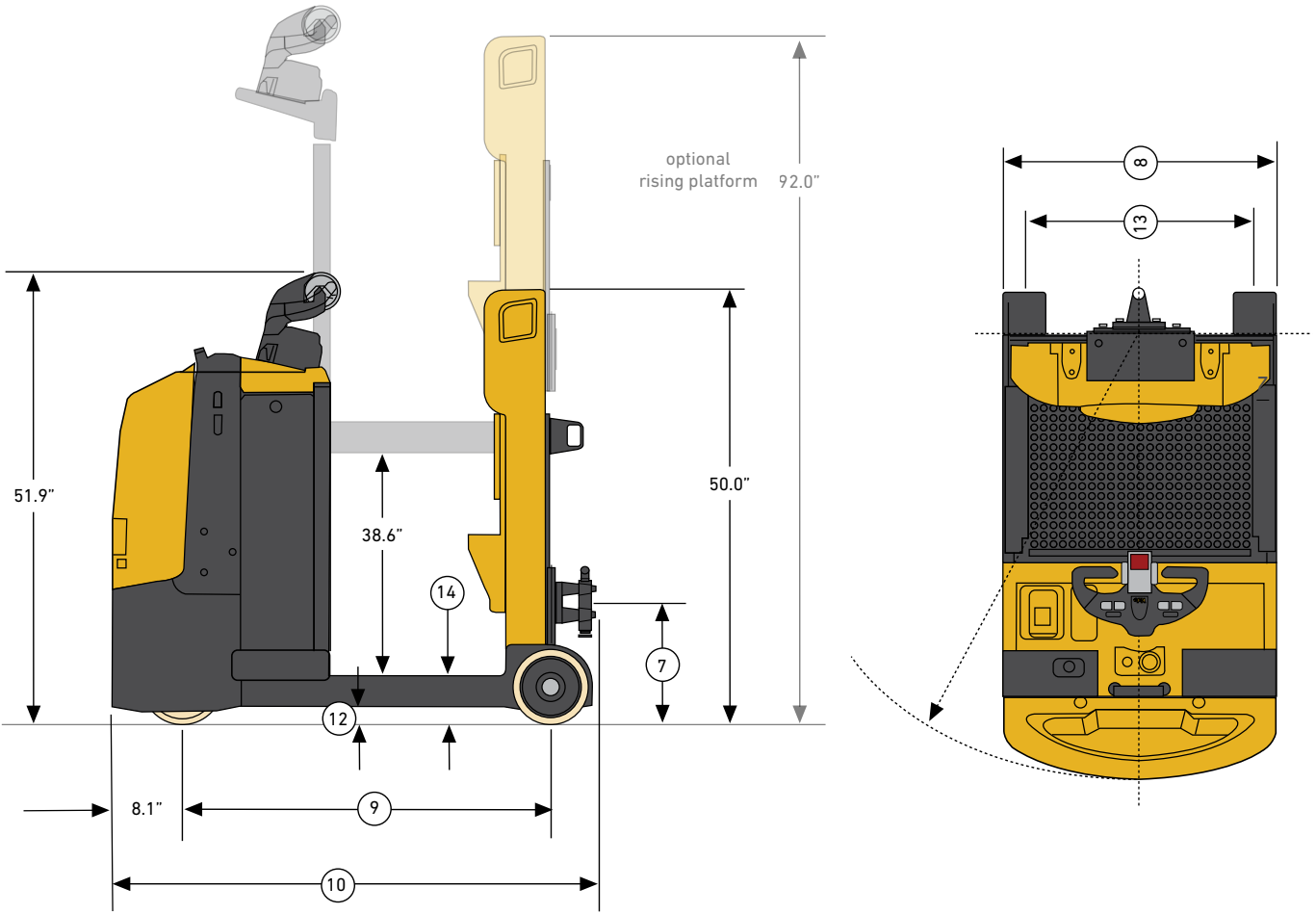
## Tow Tractor



## SPEC SHEET

Models: M0100T, M0150T

## TRUCK DIMENSIONS - M0100T-150T



Circled truck dimensions correspond to the line numbers in the General Specifications chart. Dimensions are listed in inches (millimeters).

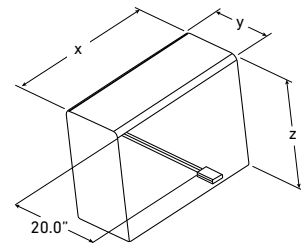
## BATTERY AND COMPARTMENT SPECIFICATIONS - M0100T

Battery Type	Compartment Dimensions			Battery Dimensions			No. of Cells	Cell Size	Plates Per Cell	Capacity
	Width	Length	Height	"X"	"Y"	"Z"				6 Hour Rate
	in (mm)									amp hr (kwh)
Industrial	31.2 (792.0)	14.1 (357.0)	32.0 (814.0)	26.1 (663)	12.8 (325)	23.3 (592)	12	85	11	425 (9.9)
				30.9 (785)	13.0 (330)	23.3 (592)	12	85	13	510 (11.9)
				30.9 (785)	13.0 (330)	26.2 (665)	12	100	13	600 (14.0)

Battery Connector: 175 Amp. Red

Battery Lead: Length 20" (508 mm), Position "B", 1/0 AWG

Battery Weight: Min. (372 kg) 820 lbs and Max. (537 kg) 1184 lbs.



## BATTERY AND COMPARTMENT SPECIFICATIONS - M0150T

Battery Type	Compartment Dimensions			Battery Dimensions			No. of Cells	Cell Size	Plates Per Cell	Capacity
	Width	Length	Height	"X"	"Y"	"Z"				6 Hour Rate
	in (mm)									amp hr (kwh)
Industrial	31.2 (792.0)	14.1 (357.0)	32.0 (814.0)	26.1 (663)	12.8 (325)	23.3 (592)	12	85	11	425 (9.9)
				30.9 (785)	13.0 (330)	23.3 (592)	12	85	13	510 (11.9)
				30.9 (785)	13.0 (330)	26.2 (665)	12	100	13	600 (14.0)

## GENERAL SPECIFICATIONS - M0100T

GENERAL	1	Manufacturer			Yale	
	2	Model Designation			M0100T	
	3	Power			Battery	
	4	Voltage			24	
	5	Operation			Stand	
	6	Rated Capacity			10000	
DIMENSIONS	7	Tow Pin Height	Vertical Center of Pin	in (mm)	14.3 (365)	
	8	Overall Width			31.3	
	9	Wheelbase			42.7 (1084)	
	10	Overall Length			56.3 (1429)	
	11	Outside Turning Radius			50.7 (1289)	
	12	Ground Clearance	Center of Wheelbase		2 (50)	
	13	Tread Width			14.8 (376)	
	14	Step Height			6 (152)	
	15	Battery Compartment	Height	Std / Battery	31.2 x 14.1 x 32 (792 x 357 x 814)	
	16	Floor to Top of Battery Rollers			5.6 (141)	
PERFORMANCE	17	Travel Speed		NL/RL	mph (km/h)	8.1 / 4.3 (13 / 7)
	18	Gradeability		5 Minute Reading	%	20 / 6
		Maximum Gradeability		5 Minute Reading	%	20 / 10
	19	Drawbar Pull		5 Minute Reading	lbf (N)	225 (1000)
		Drawbar Pull		60 Minute Reading	lbf (N)	719 (3200)
20	Brake			Service / Parking	Electromagnetic	
WEIGHT	21	Truck Weight	w/o Battery	NL	lb (kg)	2244.3 (1018)
	22	Axle Loading		Drive / Load Wheel	lb (kg)	1539 / 957 (698 / 434)
WHLs & TIRES	23	Tire Type			Drive / Steer	Tophane / Polyurethane
	24	Tire Size	Std	Drive / Steer	in	10 x 3.5 / 10 x 3.5
	25	Wheels - Number	X=Driven	Drive / Steer		1X / 2
ELECTRIC	26	Battery	Type			Lead Acid
	27	Traction Motor	60 Minute Rating		hp (kW)	3.5 (2.6)
	28	Traction Motor			Type / Control Method	AC / Mosfet
	29	Number of Speeds				Infinitely Variable

## GENERAL SPECIFICATIONS - M0150T

GENERAL	1	Manufacturer			Yale	
	2	Model Designation			M0150T	
	3	Power			Battery	
	4	Voltage			24	
	5	Operation			Stand	
	6	Rated Capacity			15000	
DIMENSIONS	7	Tow Pin Height	Vertical Center of Pin	in (mm)	14.3 (365)	
	8	Overall Width			31.3	
	9	Wheelbase			42.7 (1084)	
	10	Overall Length			56.3 (1429)	
	11	Outside Turning Radius			50.7 (1289)	
	12	Ground Clearance	Center of Wheelbase		2 (50)	
	13	Tread Width			14.8 (376)	
	14	Step Height			6 (152)	
	15	Battery Compartment	Height	Std / Battery	31.2 x 14.1 x 32 (792 x 357 x 814)	
	16	Floor to Top of Battery Rollers			5.6 (141)	
PERFORMANCE	17	Travel Speed		NL/RL	mph (km/h)	8.1 / 4.3 (13 / 7)
	18	Gradeability		5 Minute Reading	%	20 / 6
		Maximum Gradeability		5 Minute Reading	%	20 / 10
	19	Drawbar Pull		5 Minute Reading	lbf (N)	299 (1330)
		Drawbar Pull		60 Minute Reading	lbf (N)	1011 (4500)
20	Brake			Service / Parking	Electromagnetic	
WEIGHT	21	Truck Weight	w/o Battery	NL	lb (kg)	2455 (1114)
	22	Axle Loading		Drive / Load Wheel	lb (kg)	1765 / 941 (801 / 427)
WHLs & TIRES	23	Tire Type			Drive / Steer	Tophane / Polyurethane
	24	Tire Size	Std	Drive / Steer	in	10 x 3.5 / 10 x 3.5
	25	Wheels - Number	X=Driven	Drive / Steer		1X / 2
ELECTRIC	26	Battery	Type			Lead Acid
	27	Traction Motor	60 Minute Rating		hp (kW)	4.0 (3.0)
	28	Traction Motor			Type / Control Method	AC / Mosfet
	29	Number of Speeds				Infinitely Variable

Above specifications, unless otherwise listed, are for a standard truck without optional equipment.

NL = no load RL = rated load

## FEATURES LIST - M0100T-150T

### STANDARD FEATURES

31.18x14.05x32.04" (792x357x814mm) Battery compartment (for 620 Ah DIN battery)
Battery removal without rollers - lift out
7mph Maximum travel speed (unladen)
Key switch start
Multipurpose plate for coupling unit
Dash display with hour meter and graphic battery state of charge indicators
Handle above operator backrest
Drive wheel - 10" x 3.5" NDIlthane (M0100)
Drive wheel - 10" x 3.5" Tophane (M0150)
8" x 4" Tandem NDIlthane load wheels
Fixed operator platform
Scooter steer control
12 Months / no hour limit full truck warranty (please refer to the full warranty statement for additional details).
Without battery
Without charger
English literature pack and labels
Regenerative braking
Adjustable performance settings
AC traction motor
Brushless DC steer motor
Dual-technology MOSFET combi controller
Impact-resistant motor compartment cover
Sealed combi controller (IP65 rating)
Hall-effect sensors and switches (no wear, no adjustment)
CANbus communication system
1000 hours service intervals


### OPTIONAL FEATURES

Side battery extraction - both sides
Side battery extraction - left side
Side battery extraction - right side
Cold store construction (-22° F)
Operator password start interlock
Coupling unit (no holes)
Hook on multipurpose plate for coupling unit
Removable hook on multipurpose plate for coupling unit
Multifunctional display includes: hour meter, graphic battery state of charge indicator, maintenance indicator, alarm with fault code indicators, traction and acceleration reduction mode indicator
Drive wheel - 10" x 3.5" NDIlthane (M0150)
10" x 3.5" Tophane Drive Wheel (M0100)
Drive wheel - 10" x 3.5" NDIlthane conductive (M0100 only)
Drive wheel - 10" x 3.5" NDIlthane antistatic
3.3" x 2.7" Tandem polyurethane load wheels
Clip board
Coasting function
Multipurpose bar above motor cover
Stretch film roll holder
Trash bin in operator back rest
Raising operator platform
Raising operator platform with retractable side arms
Scooter steer control on lifting platform
Scooter control on lifting platform with platform control
Low mounted bumper (rubber bumper)
Mid mounted bumper (bull bar)
Yale Reliant™ (available on M0100T)
Yale Vision wireless access HID Prox card reader
Yale Vision wireless access iClass MiFare prox card reader
Yale Vision Wireless access ISO Prox card reader
Yale Vision wireless monitoring - Cell
Yale Vision wireless monitoring - Wifi
Yale Vision wireless verification
Audible alarm - reverse direction activated - self-adjusting 82-102 dB(A)
DC to DC converter - primary - for factory installed options - 25 amps/300 watts @ 12 volts
Multiple extended protection coverage plans( please refer to the Full Extended Warranty Statements for additional details).
French literature pack and labels
Spanish literature pack and labels
Less charger (wired plug included)
Battery cable extension 59" (1500mm)
Twin battery change station

## Yale Materials Handling Corporation

P.O. Box 7367  
Greenville, NC 27835-7367  
U.S.A.

[www.yale.com](http://www.yale.com)

Yale, and PEOPLE. PRODUCTS. PRODUCTIVITY are trademarks of Hyster-Yale Group, Inc.  is a registered copyright of Hyster-Yale Group, Inc. © Yale Materials Handling Corporation 2021. All rights reserved.

Trucks may be shown with optional equipment. Truck performance may be affected by the condition of the vehicle, how it is equipped and the application. Specifications are subject to change without notice. Consult your Yale® Dealer if any of the information shown is critical to your application.

CERTIFICATION: Yale lift trucks meet the design and construction requirements of B56.1-1969, per OSHA Section 1910.178(a)(2), and also comply with the B56.1 revision in effect at time of manufacture. Classified by Underwriters' Laboratories, Inc.