



UX Series

MTA120UX / 13,000lb

Seated Electric Tow Tractor

MTA120UX features.

The Yale® MTA120UX seated electric tow tractor combines ergonomic features, reliable technology and energy efficient performance in a cost-effective package for less-demanding applications. Backed by the Yale brand and nationwide dealer network, businesses can count on the UX Series tow tractor for reliable operation and low maintenance requirements to help boost productivity and reduce operational costs.

Productivity

- High-power, maintenance free AC drive motor
- Impressive pulling performance
- Seamless travel and maneuverability
- 3 operation modes available
- Ergonomic layout to help maximize efficiency and comfort
- Adjustable seat and steering column
- Rear, multi-position tow coupling
- Multi-function LCD dash display

Serviceability

- Easy access for fast and efficient servicing
- Simple, readily available components
- CANbus technology helps reduce wiring complexity
- Built-in diagnostics accessible via the dash display
- Computer-based diagnostics not required

Safety & structural design

- Operator Presence System (OPS)
- Non-slip, uncluttered floor plate
- Drive axle design and low center of gravity helps maximize stability
- Emergency stop button
- High quality, robust components
- Low noise level
- Seatbelt

Optional features

- Power steering
- Automatic electro-magnetic parking brake
- Seatbelt reminder system
- Semi-closed cabin
- Mirrors
- Non-marking tires
- Blue light and strobe light
- Keyless key switch (password)

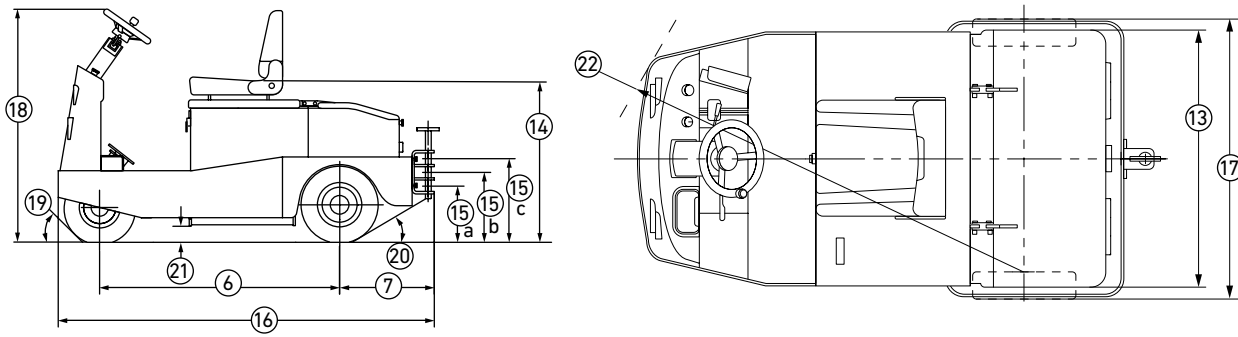


Ergonomic operator compartment



Easy service access via back cover

TRUCK DIMENSIONS MTA120UX



GENERAL SPECIFICATIONS MTA120UX

| | Description | Measurement | MTA120UX |
|-----|---|-------------|--------------------------|
| 1 | Power type | | 48-volt |
| 2 | Operator type | | Seated |
| 3 | Rated capacity | lb (kg) | 13227 (6000) |
| 4 | Drawbar pull, 60min rating | lbf (N) | 337.2 (1500) |
| 5 | Max drawbar pull, 5min rating | lbf (N) | 1348.85 (6000) |
| 6 | Wheelbase | in (mm) | 50.39 (1280) |
| 7 | Rear load distance | in (mm) | 19.68 (500) |
| 8 | Service weight | lb (kg) | 2998.2 (1360) |
| 9 | Axle loading, unladen front / rear | lb (kg) | 992 (450) / 2006.2 (910) |
| 10 | Front, tire size / type (no. of wheels) | | 15 x 4.5 Solid (1) |
| 11 | Rear, tire size / type (no. of wheels) | | 4.00 - 8 Solid (2) |
| 12 | Wheel tread, front | in (mm) | n/a |
| 13 | Wheel tread, rear | in (mm) | 37.24 (946) |
| 14 | Seat height / STD | in (mm) | 35.83 (910) |
| 15a | Coupling height | in (mm) | 11.61 (295) |
| 15b | | | 14.56 (370) |
| 15c | | | 17.32 (440) |
| 16 | Overall length | in (mm) | 78.54 (1995) |
| 17 | Overall width | in (mm) | 43.3 (1100) |
| 18 | Overall height (excluding cab) | | 50.39 (1280) |
| 19 | Approach angle | deg (°) | ≥45 |
| 20 | Departure angle | deg (°) | ≥40 |
| 21 | Min ground clearance | in (mm) | 3.54 (90) |
| 22 | Turning radius | in (mm) | 64.96 (1650) |
| 23 | Travel speed, unladen | mph (km/h) | 9 (14.5) |
| 24 | Travel speed, laden | mph (km/h) | 4.97 (8) |
| 25 | Gradeability, laden / unladen | % | 7 / 15 |
| 26 | Service brake / parking brake | | hydraulic / manual |
| 27 | Drive control | | AC |
| 28 | Drive motor rating *S2 60 min | hp (kW) | 7.5 (5.6) |
| 29 | Steering motor rating *S2 5 min (option) | hp (kW) | 0.8 (0.6) |
| 30 | Battery ampere hours | Ah | 400 |
| 31 | Battery weight | lb (kg) | 1499 (680) |
| 32 | Sound level at the drivers ear according to EN/DIN 12 053 | dB (A) | <68 |

Circled truck dimensions correspond to the line numbers in the General Specifications chart. Dimensions are listed in inches (millimeters).

About Yale®



Yale Materials Handling Corporation is one of the oldest manufacturers of lift trucks in the world. We've been in the business of lifting since 1875 and we apply that experience to help customers solve materials handling challenges. Our full line of lift trucks range in capacity from 2,000 to 36,000 pounds and are powered by internal combustion engines or electric options. Yale also offers robotic solutions, telemetry, fleet management, parts, financing and training. From traditional lift truck equipment to emerging technologies, our goal, every day, is to work with our nationwide dealer network to continually improve and provide the solutions you need, when and how you need them.

MATERIALS HANDLING FOR:



3PL



Auto Parts
Distribution



Beverage



Cold & Frozen
Foods



Food
Distribution



Food
Processing



Furniture &
Furnishings



Health &
Pharma



Home
Centers



Printing &
Publishing




Retail &
E-Commerce

Yale Materials Handling Corporation

P.O. Box 7367
Greenville, NC 27835-7367
U.S.A.

www.yale.com

YALE,  and PEOPLE. PRODUCTS. PRODUCTIVITY, are trademarks, service marks or registered marks in the United States and certain other jurisdictions. © Yale Materials Handling Corporation 2021. All Rights Reserved.

Trucks may be shown with optional equipment. Truck performance may be affected by the condition of the vehicle, how it is equipped and the application. Specifications are subject to change without notice. Consult your Yale® Dealer if any of the information shown is critical to your application.