

NTA series

3,000-3,500lb

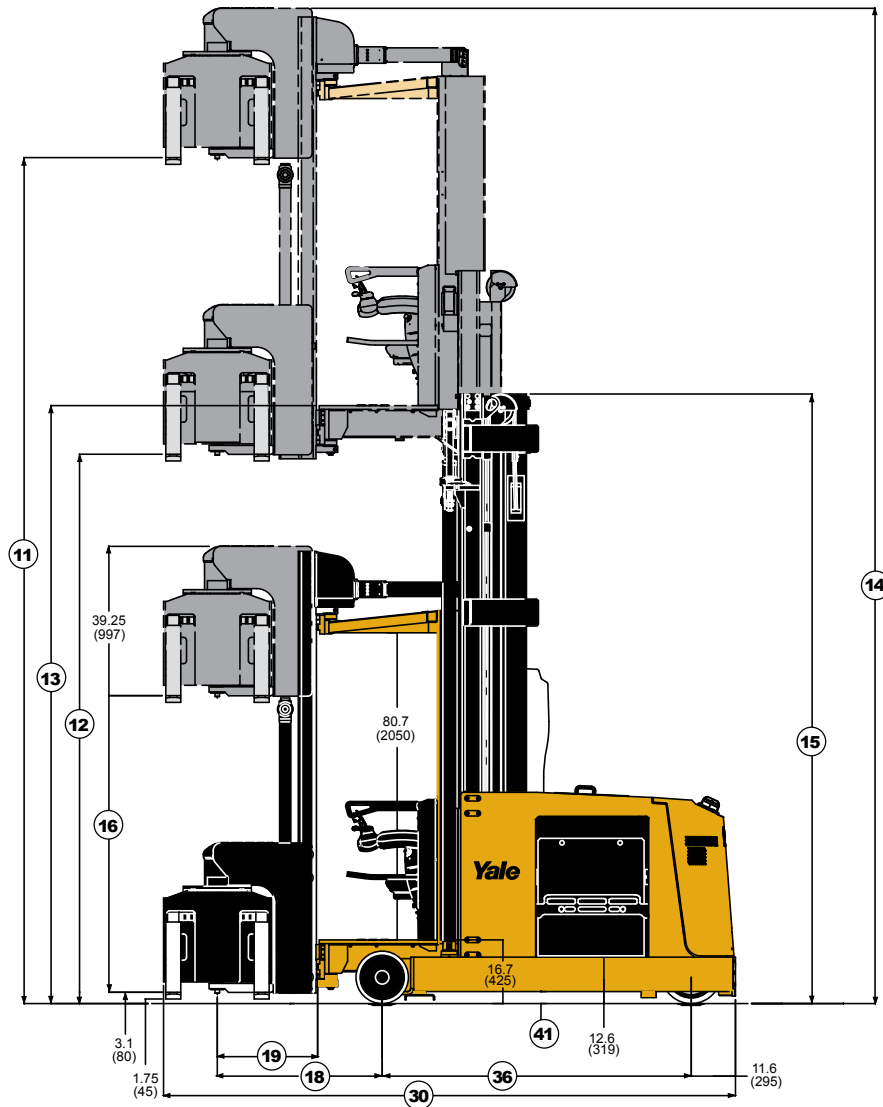
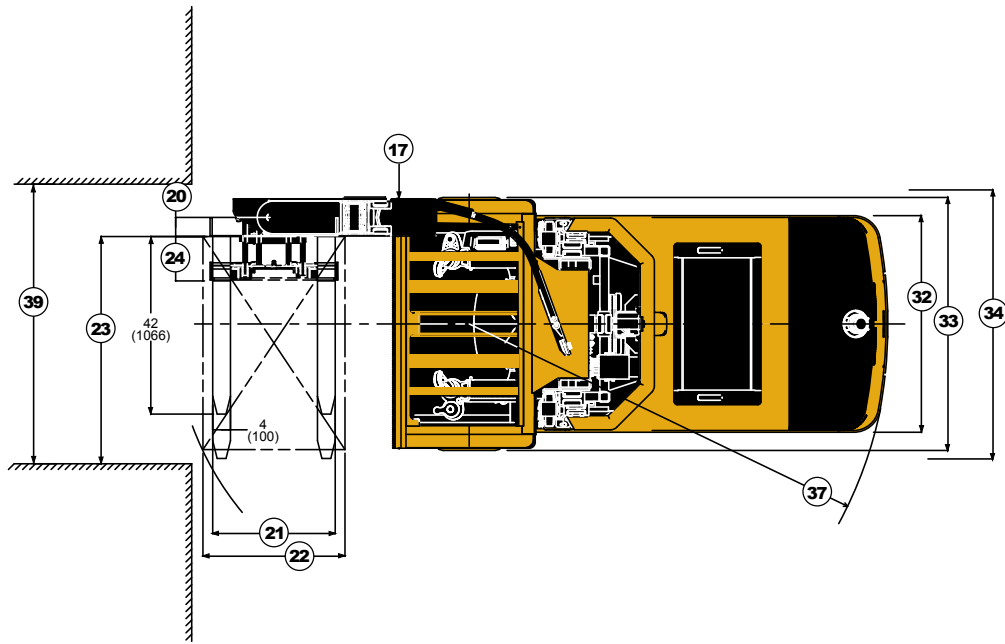
Very Narrow Aisle Turret Trucks



SPEC SHEET

Model: NTA030-035SB

TRUCK DIMENSIONS NTA030-035SB



GENERAL SPECIFICATIONS NTA030SB

GENERAL	1	Manufacturer			Yale		
	2	Model designation			NTA030SB		
	3	Operation			Man-up turret - sit or stand operation		
	4	Wheelbase			Medium wheelbase	Long wheelbase	
	5	Rated capacity		lb (kg)	3000 (1360)	3000 (1360)	
	6	Load center		in (mm)	24 (610)	24 (610)	
	7	Drive power type: electric			Electric - 48 volt	Electric - 48 volt	
	8	Tire type: cushion, pneumatic	Load/drive		Cushion	Cushion	
	10	Mast type			Triform	Triform	
	DIMENSIONS	11	Mast, max. lift height, both masts (top of forks)		in (mm)	See chart	See chart
12		Mast, max. lift height, main mast (top of forks)		in (mm)	See chart	See chart	
13		Mast, maximum height, raised operator platform		in (mm)	See chart	See chart	
14		Mast, maximum overall extended height		in (mm)	See chart	See chart	
15		Mast, overall lower height		in (mm)	See chart	See chart	
16		Auxiliary mast lift height (top of forks)		in (mm)	See chart	See chart	
17		Traverse frame widths		in (mm)	47.2/55.1/61/66.9 (1200/1400/1550/1700)	47.2/55.1/61/66.9 (1200/1400/1550/1700)	
18		Distance, rotator C/L to load wheel C/L	2-stg/3-stg	in (mm)	43.3/46.3 (1101/1177)	43.3/46.3 (1101/1177)	
19		Pivot boom length		in (mm)	26.4 (670)	26.4 (670)	
20		Pivot boom thickness		in (mm)	8.3 (210)	8.3 (210)	
21		Fork carriage width		in (mm)	28.3 (720)	28.3 (720)	
22		Fork spread adjustment (outside-outside dimension)	min/max	in (mm)	20/28.3 (508/720)	20/28.3 (508/720)	
23		Traverse stroke		in (mm)	40/46.8/52.7/57.7 (990/1190/1340/1490)	40/46.8/52.7/57.7 (990/1190/1340/1490)	
24		Reach carriage stroke (pantograph)		in (mm)	4/5/6/8/10 (102/127/152/203/254)	4/5/6/8/10 (102/127/152/203/254)	
25		Cab width		in (mm)	47.2/55.1/61/66.9 (1200/1400/1550/1700)	47.2/55.1/61/66.9 (1200/1400/1550/1700)	
26		Cab depth (front of cab to operator seat back)		in (mm)	34.2 (870)	34.2 (870)	
27		Fork thickness x width x length	std. forks	in (mm)	1.75 x 4 x 42 (45 x 100 x 1066)	1.75 x 4 x 42 (45 x 100 x 1066)	
28		Fork type			Pin	Pin	
29		Headlength (chassis length to face of traverse frame)	2-stg/3-stg	in (mm)	105/108 (2669/2745)	109.8/112.8 (2789/2865)	
30		Overall truck length with tucked forks NL	2-stg/3-stg	in (mm)	145.6/148.6 (3698/3774)	150.3/153.3 (3818/3894)	
31		Length to face of forks (forks forward)	2-stg/3-stg	in (mm)	135.6/138.6 (3444/3520)	140.3/143.3 (3564/3640)	
32		Frame width		in (mm)	48 (1220)	48 (1220)	
33		Base width (width across load wheels)		in (mm)	48/56/62/68 (1220/1425/1575/1725)	48/56/62/68 (1220/1425/1575/1725)	
34		Width across guide rollers		in (mm)	50.2/58/64/69.9 (1275/1475/1625/1775)	50.2/58/64/69.9 (1275/1475/1625/1775)	
35		Top of fork - mast lowered		in (mm)	3.1 (80)	3.1 (80)	
36		Wheelbase		in (mm)	76.5 (1943)	81.2 (2063)	
37		Minimum turning radius		in (mm)	88.5 (2250)	93.3 (2370)	
38		Minimum transfer aisle with tucked load	2-stg/3-stg	in (mm)	Contact sales	Contact sales	
39		Aisle width with pallet on forks	2-stg/3-stg	in (mm)	Contact sales	Contact sales	
40		Ground clearance NL		in (mm)	(45)	1.75 (45)	
41		Ground clearance center of wheelbase NL		in (mm)	(75)	2.9 (75)	
WT.		42	Total approx. truck weight (with battery)		lb (kg)	14740 (6701)	15475 (7034)
		43	Axle out, static w/ rated load and standard mast	Load/drive	lb (kg)	12922/4679 (5874/2127)	13332/5002 (6060/2274)
PERFORMANCE		44	Travel speed RL/NL		mph	6.5/6.5	6.5/6.5
		45	Lift speed, main mast RL/NL		fpm	65/83	65/83
		46	Lift speed, auxiliary mast RL/NL		fpm	69/77	69/77
		47	Lower speed, main mast RL/NL		fpm	98/98	98/98
		48	Lower speed, auxiliary mast RL/NL		fpm	79/77	79/77
		49	Attachment traverse speed RL/NL		in per sec	7.5/7.9	7.5/7.9
		50	Attachment rotate speed (full 180 deg. rotation)	max speed	sec	6	6
		51	Maximum gradeability with RL		%	6	6
	52	Service brakes			Electric/mechanical	Electric/mechanical	
	53	Brake method of operation			Plugging	Plugging	
WHEELS	54	Tire type	Load/drive		Polyurethane	Polyurethane	
	55	Number of wheels: front/rear (x=drive)	Load/drive		2/1x	2/1x	
	56	Load wheel size	Load	in (mm)	13.78 x 5.5 (350 x 140)	13.78 x 5.5 (350 x 140)	
	57	Drive wheel size	Drive	in (mm)	15.75 x 6.3 (400 x 160)	16 x 7 (406 x 178)	
ELECTRIC	58	Battery type			Lead acid	Lead acid	
	59	Battery volts/max ampere hrs.		V/AH	48/1085	48/1240	
	60	Battery weight, minimum		lb (kg)	2,976 (1350)	3,087 (1400)	
	61	Battery connector style on truck			Blue SB 350	Blue SB 350	
	62	Recommended battery lead length and connector position			30" position B	30" position B	
	63	Battery sizes (with optional spacer groups)	L/W	in	44.2 x 20.8	38.7 x 23.6	
	64			in	38.7 x 23.8	38.4 x 26.8	
	65			in	-	38.7 x 27	
	66	Drive motor rating (60 min. rating)		kw	7.5	7.5	
	67	Hoist motor rating (25% duty cycle rating)		kw	2 x 12	2 x 12	
	68	Drive motor control			AC - MOSFET	AC - MOSFET	
	69	Hoist motor control			AC - MOSFET	AC - MOSFET	

RL = Rated Load, NL = No Load

GENERAL SPECIFICATIONS NTA035SB

GENERAL	1	Manufacturer			Yale		
	2	Model designation			NTA035SB		
	3	Operation			Man-up turret - sit or stand operation		
	4	Wheelbase			Short wheelbase	Medium wheelbase	Long wheelbase
	5	Rated capacity		lb (kg)	3500 (1590)	3500 (1590)	3500 (1590)
	6	Load center		in (mm)	24 (610)	24 (610)	24 (610)
	7	Drive power type: electric			Electric - 72 volt	Electric - 72 volt	Electric - 72 volt
	8	Tire type: cushion, pneumatic	Load/drive		Cushion	Cushion	Cushion
	10	Mast type			Triform	Quadform	Quadform
DIMENSIONS	11	Mast, max. lift height, both masts (top of forks)		in (mm)	See chart	See chart	See chart
	12	Mast, max. lift height, main mast (top of forks)		in (mm)	See chart	See chart	See chart
	13	Mast, maximum height, raised operator platform		in (mm)	See chart	See chart	See chart
	14	Mast, maximum overall extended height		in (mm)	See chart	See chart	See chart
	15	Mast, overall lower height		in (mm)	See chart	See chart	See chart
	16	Auxiliary mast lift height (top of forks)		in (mm)	See chart	See chart	See chart
	17	Traverse frame widths		in (mm)	47.2/55.1/61/66.9 (1200/1400/1550/1700)	47.2/55.1/61/66.9 (1200/1400/1550/1700)	47.2/55.1/61/66.9 (1200/1400/1550/1700)
	18	Distance, rotator C/L to load wheel C/L	2-stg/3-stg	in (mm)	43.3/46.3 (1101/1177)	43.3/49.3 (1101/1251)	43.3/49.3 (1101/1251)
	19	Pivot boom length		in (mm)	26.4 (670)	26.4 (670)	26.4 (670)
	20	Pivot boom thickness		in (mm)	8.3 (210)	8.3 (210)	8.3 (210)
	21	Fork carriage width		in (mm)	28.3 (720)	28.3 (720)	28.3 (720)
	22	Fork spread adjustment (outside-outside dimension)	min/max	in (mm)	20/28.3 (508/720)	20/28.3 (508/720)	20/28.3 (508/720)
	23	Traverse stroke		in (mm)	40/46.8/52.7/57.7 (990/1190/1340/1490)	40/46.8/52.7/57.7 (990/1190/1340/1490)	40/46.8/52.7/57.7 (990/1190/1340/1490)
	24	Reach carriage stroke (pantograph)		in (mm)	4/5/6/8/10 (102/127/152/203/254)	4/5/6/8/10 (102/127/152/203/254)	4/5/6/8/10 (102/127/152/203/254)
	25	Cab width		in (mm)	47.2/55.1/61/66.9 (1200/1400/1550/1700)	47.2/55.1/61/66.9 (1200/1400/1550/1700)	47.2/55.1/61/66.9 (1200/1400/1550/1700)
	26	Cab depth (front of cab to operator seat back)		in (mm)	34.2 (870)	34.2 (870)	34.2 (870)
	27	Fork thickness x width x length	std. forks	in (mm)	1.75 x 4 x 42 (45 x 100 x 1066)	1.75 x 4 x 42 (45 x 100 x 1066)	1.75 x 4 x 42 (45 x 100 x 1066)
	28	Fork type			Pin	Pin	Pin
	29	Headlength (chassis length to face of traverse frame)	2-stg/3-stg	in (mm)	109.8/112.8 (2789/2865)	114.9/120.8 (2919/3069)	122.6/128.5 (3114/3264)
	30	Overall truck length with tucked forks NL	2-stg/3-stg	in (mm)	150.3/153.3 (3818/3894)	155.4/161.3 (3948/4098)	163.1/168 (4143/4293)
	31	Length to face of forks (forks forward)	2-stg/3-stg	in (mm)	140.3/143.3 (3564/3640)	144.6/150.6 (3674/3824)	153.1/159.0 (3889/4039)
32	Frame width		in (mm)	48 (1220)	48 (1220)	48 (1220)	
33	Base width (width across load wheels)		in (mm)	48/56/62/68 (1220/1425/1575/1725)	48/56/62/68 (1220/1425/1575/1725)	48/56/62/68 (1220/1425/1575/1725)	
34	Width across guide rollers		in (mm)	50.2/58/64/69.9 (1275/1475/1625/1775)	50.2/58/64/69.9 (1275/1475/1625/1775)	50.2/58/64/69.9 (1275/1475/1625/1775)	
35	Top of fork - mast lowered		in (mm)	3.1 (80)	3.1 (80)	3.1 (80)	
36	Wheelbase		in (mm)	81.2 (2063)	86.3 (2193)	94 (2388)	
37	Minimum turning radius		in (mm)	93.3 (2370)	98.2 (2495)	105.7 (2685)	
38	Minimum transfer aisle with tucked load	2-stg/3-stg	in (mm)	Contact sales	Contact sales	Contact sales	
39	Aisle width with pallet on forks	2-stg/3-stg	in (mm)	Contact sales	Contact sales	Contact sales	
40	Ground clearance NL		in (mm)	1.75 (45)	1.75 (45)	1.75 (45)	
41	Ground clearance center of wheelbase NL		in (mm)	2.9 (75)	2.9 (75)	2.9 (75)	
WT.	42	Total approx. truck weight (with battery)		lb (kg)	15744 (7170)	16907 (7685)	17426 (7921)
	43	Axle out, static w/rated load and standard mast	Load/drive	lb (kg)	13913/5161 (6324/2346)	14491/5716 (6587/2598)	14738/5988 (6699/2722)
PERFORMANCE	44	Travel speed RL/NL		mph	6.5/6.5	6.5/6.5	6.5/6.5
	45	Lift speed, main mast RL/NL		fpm	69/79	69/79	69/79
	46	Lift speed, auxiliary mast RL/NL		fpm	69/77	69/77	69/77
	47	Lower speed, main mast RL/NL		fpm	118/118	118/118	118/118
	48	Lower speed, auxiliary mast RL/NL		fpm	79/77	79/77	79/77
	49	Attachment traverse speed RL/NL		in per sec	7.5/7.9	7.5/7.9	7.5/7.9
	50	Attachment rotate speed (full 180 deg. rotation)	max speed	sec	6	6	6
	51	Maximum gradeability with RL		%	6	6	6
	52	Service brakes			Electric/mechanical	Electric/mechanical	Electric/mechanical
	53	Brake method of operation			Plugging	Plugging	Plugging
WHEELS	54	Tire type	Load/drive		Polyurethane	Polyurethane	Polyurethane
	55	Number of wheels: front/rear (x=drive)	Load/drive		2/1x	2/1x	2/1x
	56	Load wheel size	Load	in (mm)	13.78 x 5.5 (350 x 140)	13.78 x 5.5 (350 x 140)	13.78 x 5.5 (350 x 140)
	57	Drive wheel size	Drive	in (mm)	16 x 7 (406 x 178)	16 x 7 (406 x 178)	16 x 7 (406 x 178)
ELECTRIC	58	Battery type			Lead acid	Lead acid	Lead acid
	59	Battery volts/max ampere hrs.		V/AH	72/775	72/930	72/1240
	60	Battery weight, minimum		lb (kg)	3,307 (1500)	4,079 (1850)	4,189 (1900)
	61	Battery connector style on truck			Green SB 350	Green SB 350	Green SB 350
	62	Recommended battery lead length and connector position			30" position B	30" position B	30" position B
	63	Battery sizes (with optional spacer groups)	L/W	in	38.3 x 13.5 (2x - 36V battery)	38.1 x 15.8 (2x - 36V battery)	38.3 x 17.9 (2x - 36V battery)
	64			in	37.9 x 14.0 (2x - 36V battery)	37.9 x 15.5 (2x - 36V battery)	38.7 x 20.4 (2x - 36V battery)
	65			in	38.3 x 26.7 (single 72V battery)	-	38.3 x 20.1 (2x - 36V battery)
	66	Drive motor rating (60 min. rating)		kw	7.5	7.5	7.5
	67	Hoist motor rating (25% duty cycle rating)		kw	2 x 15	2 x 15	2 x 15
	68	Drive motor control			AC - MOSFET	AC - MOSFET	AC - MOSFET
	69	Hoist motor control			AC - MOSFET	AC - MOSFET	AC - MOSFET

RL = Rated Load, NL = No Load

NTA030SB - MEDIUM WHEEL BASE, NTA030SB - LONG WHEEL BASE & NTA035SB - SHORT WHEEL BASE

2-stage tri-form mast dimensions - typical configurations

Total lift height (top of forks)	Overall lowered height	Overall extended height	Main lift maximum fork height	Aux mast lift height (FL)	Operator orderpicking height	Operator platform height max
232.3 (5900)	118.1 (3000)	271.1 (6887)	148.0 (3760)	84.3 (2140)	220 (5588)	160.8 (4085)
255.9 (6500)	129.5 (3290)	294.8 (7487)	171.6 (4360)	84.3 (2140)	244 (6198)	184.4 (4685)
279.5 (7100)	141.3 (3590)	318.4 (8087)	195.3 (4960)	84.3 (2140)	268 (6807)	208.1 (5285)
302.4 (7680)	141.3 (3590)	341.2 (8667)	195.3 (4960)	107.1 (2720)	268 (6807)	208.1 (5285)
302.1 (7700)	153.1 (3890)	342.0 (8687)	218.9 (5560)	84.3 (2140)	291 (7391)	231.7 (5885)
326.8 (8300)	164.9 (4190)	365.6 (9287)	242.5 (6160)	84.3 (2140)	315 (8001)	255.3 (6485)
337.0 (8560)	153.1 (3890)	375.9 (9547)	218.9 (5560)	118.1 (3000)	291 (7391)	231.7 (5885)
350.4 (8900)	176.8 (4490)	389.3 (9887)	266.1 (6760)	84.3 (2140)	339 (8611)	278.9 (7085)
360.6 (9160)	164.9 (4190)	399.5 (10147)	242.5 (6160)	118.1 (3000)	315 (8001)	255.3 (6485)
374.0 (9500)	188.6 (4790)	412.9 (10487)	289.8 (7360)	84.3 (2140)	362 (9195)	302.6 (7685)
381.9 (9700)	192.5 (4890)	420.7 (10687)	297.6 (7560)	84.3 (2140)	370 (9398)	310.4 (7885)
384.3 (9760)	176.8 (4490)	423.1 (10747)	266.1 (6760)	118.1 (3000)	339 (8611)	278.9 (7085)
396.9 (10080)	206.3 (5240)	435.7 (11067)	312.6 (7940)	84.3 (2140)	385 (9779)	325.4 (8265)
407.9 (10360)	188.6 (4790)	446.7 (11347)	289.8 (7360)	118.1 (3000)	362 (9195)	302.6 (7685)
Mast sizes below are only available on NTA030SB - long wheel base and NTA035SB - short wheel base						
408.7 (10380)	212.2 (5390)	447.5 (11367)	324.4 (8240)	84.3 (2140)	397 (10084)	337.2 (8565)
415.7 (10560)	192.5 (4890)	454.6 (11547)	297.6 (7560)	118.1 (3000)	370 (9398)	310.4 (7885)
420.5 (10680)	218.1 (5540)	459.3 (11667)	336.2 (8540)	84.3 (2140)	409 (10389)	349.0 (8865)
430.7 (10940)	206.3 (5240)	469.6 (11927)	312.6 (7940)	118.1 (3000)	385 (9779)	325.4 (8265)
436.2 (11080)	226.0 (5740)	475.1 (12067)	352.0 (8940)	84.3 (2140)	424 (10770)	364.8 (9265)
442.5 (11240)	212.2 (5390)	481.4 (12227)	324.4 (8240)	118.1 (3000)	397 (10084)	337.2 (8565)
454.3 (11540)	218.1 (5540)	493.2 (12527)	336.2 (8540)	118.1 (3000)	409 (10389)	349.0 (8865)
455.9 (11580)	235.8 (5990)	494.8 (12567)	371.7 (9440)	84.3 (2140)	444 (11278)	384.4 (9765)
463.8 (11780)	239.8 (6090)	502.6 (12767)	379.5 (9640)	84.3 (2140)	452 (11481)	392.3 (9965)
470.0 (11940)	226.0 (5740)	508.9 (12927)	352.0 (8940)	118.1 (3000)	424 (10770)	364.8 (9265)
475.6 (12080)	245.7 (6240)	514.4 (13067)	391.3 (9940)	84.3 (2140)	464 (11786)	404.1 (10265)
489.8 (12440)	235.8 (5990)	528.6 (13427)	371.7 (9440)	118.1 (3000)	444 (11278)	384.4 (9765)
491.3 (12480)	253.5 (6440)	530.2 (13467)	407.1 (10340)	84.3 (2140)	479 (12167)	419.9 (10665)
497.6 (12640)	239.8 (6090)	536.5 (13627)	379.5 (9640)	118.1 (3000)	452 (11481)	392.3 (9965)
509.4 (12940)	245.7 (6240)	548.3 (13927)	391.3 (9940)	118.1 (3000)	464 (11786)	404.1 (10265)
525.2 (13340)	253.5 (6440)	564.1 (14327)	407.1 (10340)	118.1 (3000)	479 (12167)	419.9 (10665)

If additional "Total Lift" or "Operator Pick Height" is required for your application, contact your local Yale dealer for assistance.

NTA035SB - MEDIUM WHEEL BASE & NTA035SB - LONG WHEEL BASE

2-stage quad-form mast dimensions - typical configurations

Total lift height (top of forks)	Overall lowered height	Overall extended height	Main lift maximum fork height	Aux mast lift height (FL)	Operator orderpicking height	Operator platform height max
219.7 (5580)	118.1 (3000)	258.5 (6567)	135.4 (3440)	84.3 (2140)	208 (5283)	148.2 (3765)
239.4 (6080)	127.6 (3240)	278.2 (7067)	155.1 (3940)	84.3 (2140)	227 (5783)	167.9 (4265)
259.1 (6580)	137.4 (3490)	297.9 (7567)	174.8 (4440)	84.3 (2140)	247 (6274)	187.6 (4765)
281.9 (7160)	141.1 (3585)	320.7 (8147)	174.8 (4440)	107.1 (2720)	247 (6274)	187.6 (4765)
301.6 (7660)	147.2 (3740)	340.4 (8647)	194.5 (4940)	107.1 (2720)	267 (6782)	207.3 (5265)
318.1 (8080)	166.9 (4240)	357.0 (9067)	233.9 (5940)	84.3 (2140)	306 (7772)	246.7 (6265)
332.3 (8440)	157.1 (3990)	371.1 (9427)	214.2 (5440)	118.1 (3000)	287 (7290)	227.0 (5765)
340.9 (8660)	166.9 (4240)	397.8 (9647)	233.9 (5940)	107.1 (2720)	306 (7772)	246.7 (6265)
360.6 (9160)	176.8 (4490)	399.5 (10147)	253.5 (6440)	107.1 (2720)	326 (8280)	266.3 (6765)
371.7 (9440)	176.8 (4490)	410.5 (10427)	253.5 (6440)	118.1 (3000)	326 (8280)	266.3 (6765)
380.3 (9660)	186.6 (4740)	419.2 (10647)	273.2 (6940)	107.1 (2720)	346 (8788)	286.0 (7265)
391.3 (9940)	186.6 (4740)	430.2 (10927)	273.2 (6940)	118.1 (3000)	346 (8788)	286.0 (7265)
400.0 (10160)	196.5 (4990)	439.9 (11147)	292.9 (7740)	107.1 (2720)	365 (9271)	305.7 (7765)
408.7 (10380)	212.2 (5390)	447.5 (11367)	324.4 (8240)	84.3 (2140)	397 (10084)	337.2 (8565)
411.0 (10440)	196.5 (4990)	449.9 (11427)	292.9 (7740)	118.1 (3000)	365 (9271)	305.7 (7765)
419.7 (10660)	206.3 (5240)	458.5 (11647)	312.6 (7940)	107.1 (2720)	385 (9779)	325.4 (8265)
431.5 (10960)	212.2 (5390)	470.4 (11947)	324.4 (8240)	107.1 (2720)	397 (10084)	337.2 (8565)
442.5 (11240)	212.2 (5390)	481.4 (12227)	324.4 (8240)	118.1 (3000)	397 (10084)	337.2 (8565)
459.1 (11660)	226.0 (5740)	497.9 (12647)	352.0 (8940)	107.1 (2720)	424 (10770)	364.8 (9265)
470.1 (11940)	226.0 (5740)	508.9 (12927)	352.0 (8940)	118.1 (3000)	424 (10770)	364.8 (9265)
478.7 (12160)	235.8 (5990)	517.6 (13147)	371.6 (9440)	107.1 (2720)	444 (11278)	384.4 (9765)
489.8 (12440)	235.8 (5990)	528.6 (13427)	371.6 (9440)	118.1 (3000)	444 (11278)	384.4 (9765)
509.4 (12940)	245.7 (6240)	548.3 (13927)	391.3 (9940)	118.1 (3000)	464 (11786)	404.1 (10265)
Masts below are available on NTA035SB - long wheel base only						
514.2 (13060)	253.5 (6440)	553.0 (14047)	407.1 (10340)	107.1 (2720)	479 (12167)	419.9 (10665)
525.2 (13340)	253.5 (6440)	564.1 (14327)	407.1 (10340)	118.1 (3000)	479 (12167)	419.9 (10665)

If additional "Total Lift" or "Operator Pick Height" is required for your application, contact your local Yale dealer for assistance.

NTA030SB - MEDIUM WHEEL BASE, NTA030SB - LONG WHEEL BASE & NTA035SB - SHORT WHEEL BASE

3-stage tri-form mast dimensions - typical configurations

Total lift height (top of forks)	Overall lowered height	Overall extended height	Main lift maximum fork height	Aux mast lift height (FL)	Operator orderpicking height	Operator platform height max
227.9 (5790)	118.1 (3000)	266.8 (6777)	143.7 (3650)	84.3 (2140)	216 (5486)	156.5 (3975)
250.8 (6370)	141.1 (3585)	289.6 (7357)	143.7 (3650)	107.1 (2720)	216 (5486)	156.5 (3975)
280.3 (7120)	141.1 (3585)	319.2 (8107)	173.2 (4400)	107.1 (2720)	246 (6248)	186.0 (4725)
320.9 (8150)	152.2 (3865)	359.7 (9137)	202.8 (5150)	118.1 (3000)	275 (6985)	215.6 (5475)
350.4 (8900)	152.2 (3865)	389.3 (9887)	232.3 (5900)	118.1 (3000)	305 (7747)	245.1 (6225)
368.9 (9370)	141.1 (3585)	407.8 (10357)	261.8 (6650)	107.1 (2720)	334 (8484)	274.6 (6975)
375.6 (9540)	147.2 (3740)	414.4 (10527)	291.3 (7400)	84.3 (2140)	364 (9246)	304.1 (7725)
405.1 (10290)	157.1 (3990)	444.0 (11277)	320.9 (8150)	84.3 (2140)	393 (9982)	333.7 (8475)
409.5 (10400)	152.2 (3865)	448.3 (11387)	291.3 (7400)	118.1 (3000)	364 (9246)	304.1 (7725)
Mast sizes below are only available on NTA030SB - Long wheel base and NTA035SB - Short wheel base						
434.6 (11040)	166.9 (4240)	473.5 (12027)	350.4 (8900)	84.3 (2140)	423 (10744)	363.2 (9225)
439.0 (11150)	157.1 (3990)	477.8 (12137)	320.9 (8150)	118.1 (3000)	393 (9982)	333.7 (8475)
464.2 (11790)	176.8 (4490)	503.0 (12777)	379.9 (9650)	84.3 (2140)	452 (11481)	392.7 (9975)
468.5 (11900)	166.9 (4240)	507.4 (12887)	350.4 (8900)	118.1 (3000)	423 (10744)	363.2 (9225)
493.7 (12540)	186.6 (4740)	532.6 (13527)	409.4 (10400)	84.3 (2140)	482 (12243)	422.2 (10725)
498.0 (12650)	176.8 (4490)	536.9 (13637)	379.9 (9650)	118.1 (3000)	452 (11481)	392.7 (9975)
527.6 (13400)	186.6 (4740)	566.4 (14387)	409.4 (10400)	118.1 (3000)	482 (12243)	422.2 (10725)

If additional "Total Lift" or "Operator Pick Height" is required for your application, contact your local Yale dealer for assistance.

NTA035SB - MEDIUM WHEEL BASE & NTA035SB - LONG WHEEL BASE

3-stage quad-form mast dimensions - typical configurations

Total lift height (top of forks)	Overall lowered height	Overall extended height	Main lift maximum fork height	Aux mast lift height (FL)	Operator orderpicking height	Operator platform height max
279.9 (7110)	118.1 (3000)	318.8 (8097)	195.7 (4970)	84.3 (2140)	268 (6807)	208.5 (5295)
309.4 (7860)	127.6 (3240)	348.3 (8847)	225.2 (5720)	84.3 (2140)	298 (7569)	238.0 (6045)
313.8 (7970)	152.2 (3865)	352.6 (8957)	195.7 (4970)	118.1 (3000)	268 (6807)	208.5 (5295)
332.3 (8440)	141.1 (3585)	371.1 (9427)	225.2 (5720)	107.1 (2720)	298 (7569)	238.0 (6045)
343.3 (8720)	152.2 (3865)	382.2 (9707)	225.2 (5720)	118.1 (3000)	298 (7569)	238.0 (6045)
361.8 (9190)	141.1 (3585)	400.7 (10177)	254.7 (6470)	107.1 (2720)	327 (8306)	267.5 (6795)
372.8 (9470)	152.2 (3865)	411.7 (10457)	254.7 (6470)	118.1 (3000)	327 (8306)	267.5 (6795)
391.3 (9940)	147.2 (3740)	430.2 (10927)	284.3 (7220)	107.1 (2720)	357 (9068)	297.0 (7545)
402.4 (10220)	152.2 (3865)	441.2 (11207)	284.3 (7220)	118.1 (3000)	357 (9068)	297.0 (7545)
420.9 (10690)	157.1 (3990)	459.7 (11677)	313.8 (7970)	107.1 (2720)	386 (9804)	326.6 (8295)
427.6 (10860)	166.9 (4240)	466.4 (11847)	343.3 (8720)	84.3 (2140)	416 (10566)	356.1 (9045)
431.9 (10970)	157.1 (3990)	470.7 (11957)	313.8 (7970)	118.1 (3000)	386 (9804)	326.6 (8295)
450.4 (11440)	166.9 (4240)	489.3 (12427)	343.3 (8720)	107.1 (2720)	416 (10566)	356.1 (9045)
461.4 (11720)	166.9 (4240)	500.3 (12707)	343.3 (8720)	118.1 (3000)	416 (10566)	356.1 (9045)
479.9 (12190)	176.8 (4490)	518.8 (13177)	372.8 (9470)	107.1 (2720)	445 (11303)	385.6 (9795)
490.9 (12470)	176.8 (4490)	529.8 (13457)	372.8 (9470)	118.1 (3000)	445 (11303)	385.6 (9795)
509.4 (12940)	186.6 (4740)	548.3 (13927)	402.4 (10220)	107.1 (2720)	475 (12065)	415.2 (10545)
516.1 (13110)	196.5 (4990)	555.0 (14097)	431.9 (10970)	84.3 (2140)	504 (12802)	444.7 (11295)
520.5 (13220)	186.6 (4740)	559.3 (14207)	402.4 (10220)	118.1 (3000)	475 (12065)	415.2 (10545)
539.0 (13690)	196.5 (4990)	577.8 (14677)	431.9 (10970)	107.1 (2720)	504 (12802)	444.7 (11295)
545.7 (13860)	206.3 (5240)	584.5 (14847)	461.4 (11720)	84.3 (2140)	534 (13564)	474.2 (12045)
550.0 (13970)	196.5 (4990)	588.9 (14957)	431.9 (10970)	118.1 (3000)	504 (12802)	444.7 (11295)
Mast below are available only on NTA035SB - long wheel base						
568.5 (14440)	206.3 (5240)	607.4 (15427)	461.4 (11720)	107.1 (2720)	534 (13564)	474.2 (12045)
579.5 (14720)	206.3 (5240)	618.4 (15707)	461.4 (11720)	118.1 (3000)	534 (13564)	474.2 (12045)
Masts below are special order with NTA035SB - long wheel base only - dimensions are approximately (inches)						
581	219	620	496	84	569	509
591	211	631	473	118	546	486
603	215	642	485	118	558	498
615	222	655	508	107	581	521
627	226	667	520	107	593	533
634	236	674	549	84	622	562
651	234	690	544	107	617	557
668	236	707	549	118	622	562

If additional "Total Lift" or "Operator Pick Height" is required for your application, contact your local Yale dealer for assistance.

FEATURES LIST

STANDARD FEATURES

44.2" x 20.8" x 30.9" Battery Compartment	Sit, Stand or Lean Operator Positions
Medium Wheel Base	Flip-up Side Rails with Gas Spring Assist and Interlock
38.3" x 26.7" x 30.9" Battery Compartment (3,500 lbs. Model)	Flip-up Full-Suspension Cloth Seat with Height Adjustment
Short Wheel Base (3,500 lbs. Model)	Adjustable Armrests Independent of Seat Position
Key Switch Start	Anti-Fatigue Floormat - Ribbed Rubber
UL Classification Type "E"	Parking Brake with Foot Switch Release
2 Stage Tri Form Construction Mast 232" Maximum Lift Height, 119" Overall Lowered Height	Operator Fan & Dome Light - OHG Mounted
28" Carriage with 26" Rotator	Work Lights - Right and Left Side
1.75" x 4" x 42" Pin Type Standard Taper Forks	Graphics Display with Real Time Truck Status
15.7" x 6.2" Polyurethane Drive Wheel	Battery Discharge Indicator with Lift Interrupt
13.8" x 5.5" Polyurethane Load Wheels	Integral Multi-Mode Hour Meter
Rotating Seat with Auto Centering & Locking Position	Operator Adjustable Performance Modes (soft, standard, medium, hard)
55" Operator Platform Width	Real-Time Onboard Diagnostics
Retractable Tether with Full Body Harness	Active Thermal Management System
Seat Side Controls	Override for Forks Traverse (in MDU compartment)
Multi-Turn Steering	Manual Lowering Valve (in MDU compartment)
56" Chassis Width	Battery Top Access Door
Amber LED Strobe Light, Continuous Operation with Key On	Static Discharge Strap
24V DC/DC Converter (2 Amp)	Welded Steel Frame
English Literature Pack and Labels	Electronic Horn
Without Battery	Flashing Amber Strobe on Motor Cover and under Operator Compartment
Without Charger	Power Supply Disconnect Button
AC Hoist System with Regenerative Lowering	Operator's, Parts and Service Manual
Fully Integrated Canbus Control System	12 Months / No Hour Limit Full Truck Warranty, 36 Months / 6,000 Hours Powertrain Warranty, 60 Months / 10,000 Hour Frame Warranty; please see full Warranty Statement for additional details.
Auto Deceleration System (ADS)	

OPTIONAL FEATURES

38.4" x 26.8" x 30.9" Battery Compartment	Wire Guidance - 5.25 kHz Line Frequency
38.7" x 23.6" x 30.9" Battery Compartment	Wire Guidance - 6.25 kHz Line Frequency
38.7" x 23.8" x 30.9" Battery Compartment	Wire Mesh Installed on Top of Operator Compartment
38.7" x 27.0" x 30.9" Battery Compartment	Lexan Overhead Guard Cover
37.9" x 14.0" x 30.9" Battery Compartment (3,500 lbs. Model)	47" Operator Platform Width
38.1" x 15.8" x 30.9" Battery Compartment (3,500 lbs. Model)	61" Operator Platform Width
38.3" x 13.5" x 30.9" Battery Compartment (3,500 lbs. Model)	67" Operator Platform Width
38.3" x 17.9" x 30.9" Battery Compartment (3,500 lbs. Model)	Front Barrier on Operator Platform
38.3" x 20.1" x 30.9" Battery Compartment (3,500 lbs. Model)	Forward Mounted Controls
38.7" x 20.4" x 30.9" Battery Compartment (3,500 lbs. Model)	Return to Center Steering
38.3" x 15.7" x 30.5" Battery Compartment (3,500 lbs. Model)	48" Chassis Width
Cold Store Construction (-40° F)	62" Chassis Width
Long Wheel Base	68" Chassis Width
Medium Wheel Base (3,500 lbs. Model)	Adjustable Mechanical Stabilizers
Key Switch Start with Operator Password	Fixed Narrow Mechanical Stabilizers
UL Classification Type "EE" - Includes UL Label	Guide Rollers (adds 2" to chassis width)
3 Stage Tri Form Construction Masts	Stabilizer Label
2 Stage Quad Form Construction Masts (3,500 lbs. Model)	Yale Vision™ Wireless Access HID Prox Card Reader
3 Stage Quad Form Construction Masts (3,500 lbs. Model)	Yale Vision™ Wireless Access iClass MiFare Prox Card Reader
1.50" x 5" x 42" Pin Type Standard Taper Forks	Yale Vision™ Wireless Access ISO Prox Card Reader
1.75" x 4" x 32" Pin Type Standard Taper Forks	Yale Vision™ Wireless Monitoring with Cellular connectivity
1.75" x 4" x 40" Pin Type Standard Taper Forks	Yale Vision™ Wireless Monitoring with WIFI connectivity
1.75" x 4" x 47" Pin Type Standard Taper Forks	Yale Vision™ Wireless Verification
Clip Board	Audible Alarm - Reverse Direction Activated - Self-Adjusting 82-102 dB(A)
End of Aisle Slow Down	Motion Alarm - Forward and Reverse Operation - Self-Adjusting 82-102 dB(A)
End of Aisle Slow Down to Stop	12V DC/DC Converter (2.4 Amp)
End of Aisle Stop	24V DC/DC Converter (2 Amp)
Hydraulic Stabilizers	French Literature Pack and Labels
Lexan Windshield	Spanish Literature Pack and Labels
RF Terminal Bracket	Installation Assistance Package
Trash Bin & Beverage Holder	Multiple Extended Protection Plans (Contact Warranty Department for Details)

About Yale®



Yale Materials Handling Corporation is one of the oldest manufacturers of lift trucks in the world. We've been in the business of lifting since 1875 and we apply that experience to help customers solve materials handling challenges. Our full line of lift trucks range in capacity from 2,000 to 36,000 pounds and are powered by internal combustion engines or electric options. Yale also offers robotic solutions, telemetry, fleet management, parts, financing and training. From traditional lift truck equipment to emerging technologies, our goal, every day, is to work with our nationwide dealer network to continually improve and provide the solutions you need, when and how you need them.

MATERIALS HANDLING FOR:



3PL



Auto Parts
Distribution



Beverage



Cold & Frozen
Foods



Food
Distribution



Food
Processing



Furniture &
Furnishings



Government



Health &
Pharma



Home
Centers




Retail &
E-Commerce

Yale Materials Handling Corporation

P.O. Box 7367
Greenville, NC 27835-7367
U.S.A.

www.yale.com

Yale, and PEOPLE, PRODUCTS, PRODUCTIVITY are trademarks of Hyster-Yale Group, Inc.  is a registered copyright of Hyster-Yale Group, Inc. © Yale Materials Handling Corporation 2021. All rights reserved.

Trucks may be shown with optional equipment. Truck performance may be affected by the condition of the vehicle, how it is equipped and the application. Specifications are subject to change without notice. Consult your Yale® Dealer if any of the information shown is critical to your application.

CERTIFICATION: Yale lift trucks meet the design and construction requirements of B56.1-1969, per OSHA Section 1910.178(a)(2), and also comply with the B56.1 revision in effect at time of manufacture. Classified by Underwriters' Laboratories, Inc.