

# ERP050-060VLL

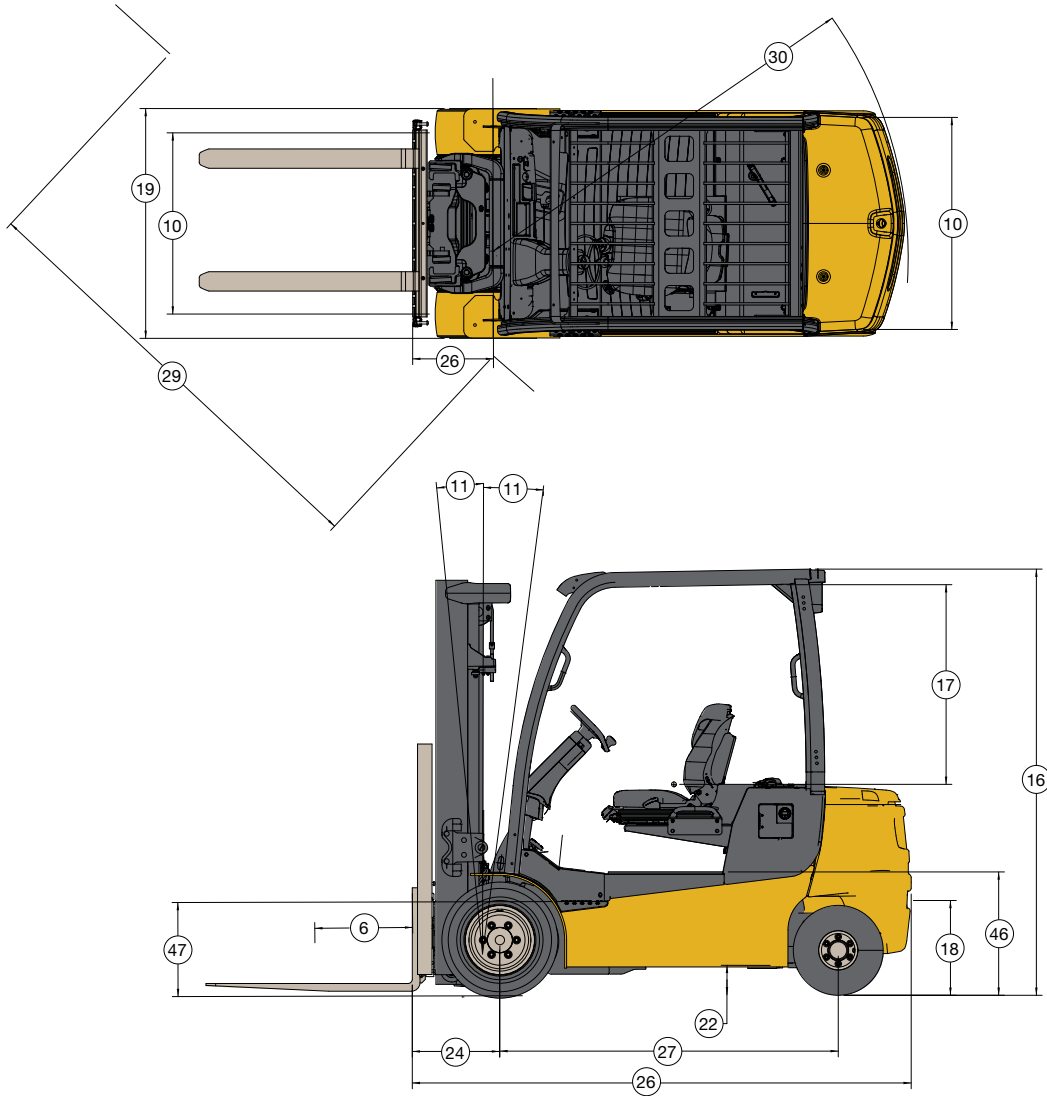
## Sit Down Counterbalanced Truck

**5,000 / 6,000 lb**

- A power solution built for both indoor and outdoor applications
- Engineered around a fully integrated lithium-ion battery
- Strategically designed to help free space and maximize operator comfort



## Truck Dimensions ERP050-060VLL



Circled dimensions correspond to the line numbers on the tabulated chart within General Specifications. Dimensions are in inches (millimeters).

## ERP050-060VLL Mast Dimensions

Max. Fork Height (TOF) in (mm)		Overall Lowered Height in (mm)		Overall Extended Height w/ Load Backrest in (mm)		Overall Extended Height w/o Load Backrest in (mm)		Free-Lift (TOF) w/Load Backrest in (mm)		Free-Lift (TOF) w/o Load Backrest in (mm)		Truck Weight lb (kg)	
ERP050	ERP060	ERP050	ERP060	ERP050	ERP060	ERP050	ERP060	ERP050	ERP060	ERP050	ERP060	ERP050	ERP060
<b>2-Stage Limited Free-Lift (LFL) Hi-Vis™ Mast</b>													
133 (3392)	126 (3209)	87 (2192)	87 (2192)	182 (4622)	175 (4444)	156 (3956)	152 (3861)	5 (140)	5 (150)	5 (140)	5 (150)	9540 (4330)	10400 (4720)
141 (3592)	134 (3409)	91 (2292)	91 (2292)	190 (4822)	183 (4644)	164 (4156)	160 (4061)	5 (140)	5 (150)	5 (140)	5 (150)	9580 (4350)	10430 (4730)
<b>2-Stage Full Free-Lift (LFL) Hi-Vis™ Mast</b>													
133 (3402)	126 (3210)	87 (2192)	87 (2192)	183 (4632)	175 (4445)	157 (3966)	152 (3862)	37 (962)	37 (957)	64 (1628)	60 (1540)	9580 (4350)	10430 (4730)
141 (3602)	134 (3410)	91 (2292)	91 (2292)	191 (4832)	183 (4645)	164 (4166)	160 (4062)	41 (1062)	41 (1057)	68 (1728)	64 (1640)	9620 (4365)	10470 (4750)
<b>3-Stage Full Free-Lift (LFL) Hi-Vis™ Mast</b>													
183 (4650)	181 (4618)	81 (2042)	85 (2142)	232 (5880)	231 (5853)	205 (5196)	207 (5252)	32 (812)	35 (907)	58 (1496)	59 (1508)	9770 (4435)	10760 (4885)
189 (4800)	187 (4768)	83 (2092)	89 (2242)	238 (6030)	237 (6003)	211 (5346)	213 (5402)	33 (862)	39 (1007)	60 (1546)	63 (1608)	9790 (4445)	10810 (4905)
194 (4950)	193 (4918)	85 (2142)	91 (2292)	244 (6180)	243 (6153)	217 (5496)	219 (5552)	35 (912)	41 (1057)	62 (1596)	65 (1658)	9810 (4455)	10830 (4920)
200 (5100)	205 (5218)	89 (2242)	95 (2392)	250 (6330)	255 (6453)	223 (5646)	231 (5852)	39 (1012)	45 (1157)	66 (1696)	69 (1758)	9850 (4470)	10890 (4945)
206 (5250)	217 (5518)	91 (2292)	101 (2542)	256 (6480)	266 (6753)	229 (5796)	243 (6152)	41 (1062)	51 (1307)	68 (1746)	75 (1908)	9890 (4490)	11070 (5052)
212 (5400)		93 (2342)		261 (6630)		235 (5946)		43 (1112)		70 (1796)		9920 (4505)	

## General Specifications ERP050-060VLL

				Yale		Yale			
GENERAL	1	Manufacturer			ERP050VLL		ERP060VLL		
	2	Model designation			Electric / 80 volts		Electric / 80 volts		
	3	Power/voltage			Sit		Sit		
	4	Operation			5000 (2268)		6000 (2722)		
	5	Rated capacity		lb (kg)	24 (610)		24 (610)		
	6	Load center		in (mm)	Pneumatic / Pneumatic shaped solid		Pneumatic / Pneumatic shaped solid		
TIRES	7	Tire type (std/opt)			23x10-12 / 18x7-8		23x10-12 / 18x7-8		
	8	Tire size (drive/steer)		in	2X/2		2X/2		
	9	Wheels-number X=driven (drive/steer)		front/rear	36.9 / 41.5 / 39.1 (938 / 1054 / 992)		36.9 / 41.5 / 39.1 (938 / 1054 / 992)		
DIMENSIONS	10	Tread	Center of tires	Std dr/ wide dr/Steer	in (mm)				
	11	Mast tilt	Std / opt / opt		degrees	5F / 5B 10F / 5B 5F / 6B	5F / 5B 10F / 5B 5F / 6B		
	12	Mast-lowered height	Std mast		in (mm)	87 (2192)	87 (2192)		
	13	Free lift - top of fork	Std 2 std limited free lift mast		in (mm)	5 (140)	5 (140)		
			Op 2 stg full free lift mast with/without LBR		in (mm)	37 / 64 (962 / 1628)	37 / 60 (957 / 1540)		
	14	Lift height-top of fork	Std 2 stg limited free lift mast		in (mm)	133 (3392)	126 (3209)		
	15	Mast-extnd. height	Std mast with/without LBR		in (mm)	182 / 156 (4622 / 3956)	175 / 153 (4444 / 3861)		
	16	Overhead grd. height			in (mm)	86.3 (2193)	86.3 (2193)		
	17	SIP to bottom OHG	Seat depressed	Std/Susp/ Air ride	in (mm)	36.9 / 41.5 / 39.1 (938 / 1054 / 992)	35.2 / 35.8 / 35.3 (894 / 909 / 897)		
	18	Tow pin height	Vertical center of pin		in (mm)	10.3 (262)	10.3 (262)		
	19	Overall width	Pneumatic tires	Std/wide tread	in (mm)	46.9 / 51.5 (1192 / 1308)	46.9 / 51.5 (1192 / 1308)		
			PSS tires	Std/wide tread	in (mm)	46.2 / 50.7 (1173 / 1289)	46.2 / 50.7 (1173 / 1289)		
	20	Forks	Thickness x width x length		in (mm)	1.6 x 3.9 x 42 (40 x 100 x 1067)	2 x 4.9 x 42 (50 x 125 x 1067)		
	21	Std. carriage width			in (mm)	42 (1067)	42 (1067)		
	22	Ground clearance	Lowest point (NL/RL)		in (mm)	3.9 / 3.3 (98 / 83)	3.9 / 3.3 (98 / 83)		
	23	Ground clearance	Center of truck (NL/RL)		in (mm)	5.4 / 5.3 (137 / 134)	5.4 / 5.3 (137 / 134)		
	24	Load distance	Center of wheel to face of forks		in (mm)	15.9 (404)	16.4 (416)		
	25	Battery compartment	Height		in (mm)	12.6 (320)	12.6 (320)		
			Width		in (mm)	29.1 (738)	29.1 (738)		
			Length	Nominal	Size	34	34		
			Length	Actual	in (mm)	39.4 (1000)	39.4 (1000)		
	26	Length to face /forks			in (mm)	100.5 (2555)	100.5 (2555)		
	27	Wheelbase			in (mm)	68.9 (1750)	68.9 (1750)		
	28	Right angle stack			in (mm)	146.7 (3727)	149.3 (3793)		
	29	Equal aisle	90° Intersecting aisle		in (mm)	80.5 (2045)	81.7 (2074)		
	30	Outside turing radius			in (mm)	81.6 (2073)	84.2 (2139)		
	WT.	31	Truck weight	Without battery - no load		lb (kg)	8680 (3945)	9540 (4340)	
		32	Axle loading-drive	Static with max weight battery (NL)		lb (kg)	4855 (2205) / 13270 (6020)	5645 (2566) / 15150 (6886)	
		33	Axle loading-steer	Static with max weight battery (NL)		lb (kg)	4680 (2125) / 1765 (800)	5630 (2559) / 2125 (966)	
	PERFORMANCE	34	Travel speed	NL / RL		mph (kph)	Std. Performance 11.2 / 11.2 (18 / 18)	Premium Performance 13 / 13 (21 / 21)	Std. Performance 11.2 / 10.6 (18 / 17)
Std 2 stg LFL mast (NL/RL)					ft/min (m/sec)	124 / 75 (0.63 / 0.38)	142 / 96 (0.72 / 0.49)	116 / 65 (0.59 / 0.33)	124 / 83 (0.63 / 0.42)
Opt 2 stg FFL mast (NL/RL)					ft/min (m/sec)	124 / 75 (0.63 / 0.39)	130 / 93 (0.66 / 0.47)	108 / 65 (0.55 / 0.33)	116 / 81 (0.59 / 0.41)
35		Lower speed	Opt 3 stg FFL mast (NL/RL)		ft/min (m/sec)	124 / 75 (0.63 / 0.39)	134 / 94 (0.68 / 0.48)	112 / 65 (0.57 / 0.33)	118 / 81 (0.60 / 0.41)
			Std 2 stg LFL mast (NL/RL)		ft/min (m/sec)	100 / 112 (0.51 / 0.57)		91 / 110 (0.46 / 0.56)	
			Opt 2 stg FFL mast (NL/RL)		ft/min (m/sec)	91 / 106 (0.46 / 0.54)		73 / 102 (0.37 / 0.52)	
36		Gradability	Opt 3 stg FFL mast (NL/RL)		ft/min (m/sec)	93 / 108 (0.47 / 0.55)		79 / 104 (0.40 / 0.53)	
			5 Minute rating (NL/RL)		%	35 / 24	38 / 26	34 / 22	37 / 24
			60 Minute rating (NL/RL)		%	12 / 8	13 / 9	11 / 7	12 / 8
37		Drawbar pull	5 Minute rating (NL/RL)		lbf	4248 / 4148	4588 / 4480	4146 / 4037	4477 / 4360
	60 Minute rating (NL/RL)			lbf	1287 / 1257	1390 / 1357	1256 / 1226	1357 / 1321	
38	Brake	Method of control (service/parking)			Hydraulic / Mechanical		Hydraulic / Mechanical		
		Method of operation (service/parking)			Foot / Automatic		Foot / Automatic		
ELECTRIC	39	Battery compartment	Type		Lithium-ion		Lithium-ion		
	40	Traction motors /dual	60 Minute rating (each)	hp (kW)	13.4 (10)	13.4 (10)	13.4 (10)	13.4 (10)	
	41	Pump motor	15 Minute rating	hp (kW)	21.5 (16)	32.2 (24)	21.5 (16)	32.2 (24)	
	42	Traction motors	Type/control method		Dual AC / Transistor		Dual AC / Transistor		
	43	Pump motor	Type/control method		AC / Transistor		AC / Transistor		
44	Number of speeds	Traction/pump		Infinitely Variable / Infinitely Variable		Infinitely Variable / Infinitely Variable			
OTHER	45	Step height		in (mm)	18.7 (475)		18.7 (475)		
	46	Floor height		in (mm)	24.4 (620)		24.4 (620)		
	47	Attachement relief pressure		psi (bar)	2250 (155)		2250 (155)		
	48	Auxiliary oil flow	3rd and 4th Function		gal/min (l/min)	11 (40)		11 (40)	
	49	Sound level	Measure per ANSI B56.11.5		dB	63	65	63	65

Above specifications, unless otherwise listed, are for a standard truck without optional equipment.

Right Angle Stack and Equal Intersecting Aisle dimensions provided with a 48" long and 40" wide pallet load, allowing zero clearance

# ERP050-060VLL

## Standard equipment

- 30kW lithium-ion battery
- 2-Stage limited free lift (LFL) Hi-Vis™ mast with maximum fork height of 126" (3209mm)
- 5° forward and 5° back mast tilt
- 42" (1067mm) wide class III hook-type carriage with 48" (1219mm) high load backrest extension
- 42" (1067mm) long forks
- Pneumatic drive tire and steer tire
- Wheelbase – 68.9"
- 80 Volt electrical system
- Standard performance
- Standard construction
- Dual drive motors
- Oil-cooled wet disc brakes
- 12" steering wheel with integral spinner knob
- Non-suspension vinyl seat
- Black ELR non-cinch seat belt
- Automatic park brake
- Key switch start
- 86.3" grid style overhead guard
- Foot Directional Control Pedal
- 3-function hydraulic control valve with Accutouch mini-levers with fully adjustable armrest
- AC traction and pump motors (completely brushless)
- Transistor drive and pump control
- Advanced VSM (vehicle system manager)
- Progressive thermal management system
- Fully integrated CANbus communication
- On-demand power steering
- Power assist braking
- ADS (auto deceleration system) with regenerative braking
- "Zero turn" steer axle
- Multifunction display
  - Battery state of charge with low battery lift interrupt
  - Hour meter
  - Performance mode indicator
  - Fault indicator (audible & visible)
  - 4 Operator selectable, programmable performance modes
- Easy ingress / egress with low step height, floor and contoured handhold
- Operator convenience station - storage areas, beverage & clipboard holders
- Adjustable tilt steering column with low profile cowl for excellent visibility
- Operator presence system (OPS)
- Anti-cinch operator restraint system
- Cushioned floormat
- Static strap
- Tow pin
- Seatside power disconnect button
- On-board software
  - Program, test & diagnose
  - Password protected
- Electronic horn with integral relay (long life / no adjustments)
- 24 month / 4,000 hour powertrain warranty
- 12 month / 2,000 hour full truck warranty
- 84 month / 12,000 hour lithium battery warranty
- Operating manual


## Options

- Premium Performance Package
- Available with 2-stage limited free lift (LFL) and 2- or 3-stage full
- Free lift (FFL) Hi-Vis™ masts
- Carriage with integral sideshift
- Carriage with integral sideshifting fork positioner
- Mast tilt option – 10° forward / 5° back
- Mast tilt option – 5° forward / 6° back
- Return to set tilt
- Accumulator
- 4 Function hydraulic control valve
- Solid pneumatic tires
- Wide tread tires
- Non-suspension seat (cloth)
- Full suspension seat (vinyl or cloth)
- Air-ride suspension seat (vinyl or cloth)
- Swivel seat, full suspension (vinyl or cloth)
- Front and top cab panels: includes front panel with wiper / washer and top panel
- Keyless start (with auxiliary key switch)
- Seat side directional control
- Telescopic steering column with tilt memory
- LED and halogen work light packages
- LED dome / reading light
- LED brake / tail / back-up light packages
- Audible reverse activated alarm
- Visible amber strobe light - continuous activated, overhead guard mounted
- Rear drive handle with integrated horn button
- Side view mirrors
- Load weight indicator
- Impact monitor
- Operator password
- Operator daily checklist
- System monitor – hydraulic low fluid level indicator and hydraulic
- Filter service indicator
- Hydraulic attachment extension tubes with or without quick
- Disconnect fittings
- Fire extinguisher – 2.5 Lb. Dry chemical
- Synchronous steering
- Red (HI-VIS) ELR (emergency locking retractor) non-cinch seat belt
- Red (HI-VIS) ELR (emergency locking retractor) non-cinch seat belt with start interlock
- Low mount display
- IP54 sealed drive axle/motors with belly pan and side shields
- Outdoor protection / wash-down package
- Front mud guards
- Tilt cylinder boots



YALE MATERIALS HANDLING CORPORATION • P.O. Box 7367, Greenville, NC 27835-7367

www.yale.com Manufactured in our own ISO 9001 and 14001 Registered Facilities

Yale is a Registered Trademark and  is a Registered Copyright. ©Yale Materials Handling Corporation 2020. All Rights Reserved.

Truck performance may be affected by the condition of the vehicle, how it is equipped and the application. Consult your Yale® Industrial Truck Dealer if any of the information shown is critical to your application. Specifications are subject to change without notice. CERTIFICATION: Yale lift trucks meet the design and construction requirements of B56.1-1969, per OSHA Section 1910.178(a)(2), and also comply with the B56.1 revision in effect at time of manufacture. Certification of compliance with the applicable ANSI standards appears on the lift truck. The Yale® products included in this document may be covered by US patent 6,684,148 and other patents pending.