

GP135-155VX

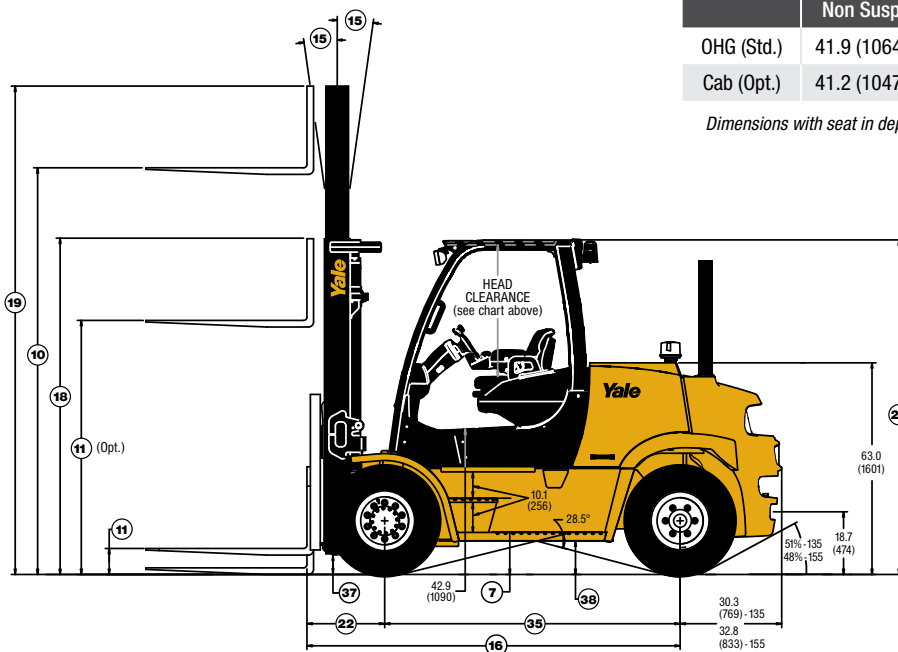
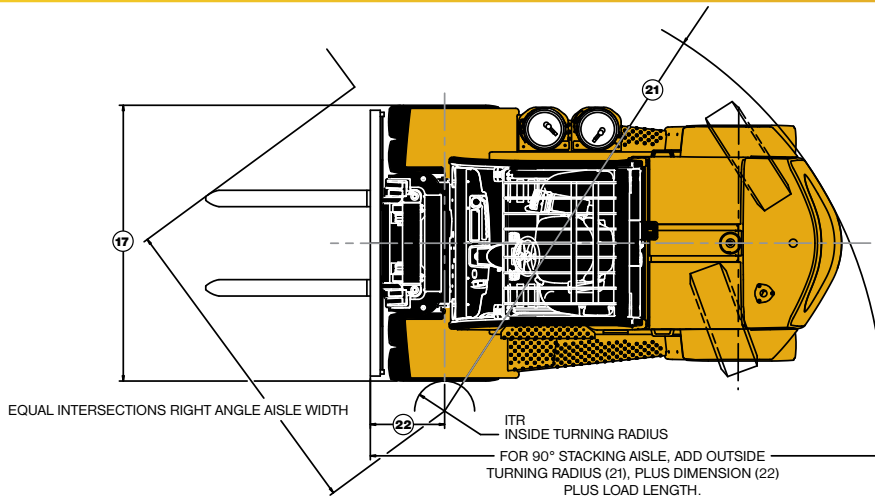
ICE Pneumatic Tire Fork Lift

13,500 / 15,500 lb

- Customizable with packages that are ideal for indoor and outdoor heavy duty applications
- Packed with operator-friendly features to help stave off fatigue and keep productivity high
- Engineered for durability, versatility and simple serviceability
- Available with a variety of attachment options



Truck Dimensions GP135-155VX



	Non Susp	Full	Swivel Full
OHG (Std.)	41.9 (1064)	40.8 (1037)	40.8 (1037)
Cab (Opt.)	41.2 (1047)	40.2 (1020)	40.2 (1020)

Dimensions with seat in depressed position.

Circled dimensions correspond to the line numbers on the tabulated chart within General Specifications. Dimensions are in inches (millimeters).

GP135-155VX Mast Dimensions

Maximum Fork Height in (mm)	Overall Lowered Height in (mm)	Overall Extended Height		Free-Lift (TOF)		Tilt Rwd/Fwd	Approx. Truck Wt. w/Std. Equipment	
		w/Load Backrest in (mm)	w/o Load Backrest in (mm)	w/Load Backrest in (mm)	w/o Load Backrest in (mm)		GP135VX lbs (kg)	GP155VX lbs (kg)
2-Stage Limited Free-Lift (LFL) Mast								
118 (3000)	100 (2540)	172 (4354)	166 (4195)	6 (160)	6 (160)	10°/5°	18760 (8509)	19890 (9022)
133 (3400)	108 (2740)	188 (4754)	181 (4595)	6 (160)	6 (160)	10°/5°	18880 (8564)	20010 (9076)
173 (4400)	128 (3240)	227 (5754)	221 (5595)	6 (160)	6 (160)	10°/5°	19340 (8772)	20470 (9285)
212 (5400)	148 (3740)	266 (6754)	260 (6595)	6 (160)	6 (160)	10°/5°	19670 (8922)	20800 (9435)
3-Stage Full Free-Lift (FFL) Mast								
185 (4700)	102 (2570)	239 (6054)	230 (5830)	47 (1216)	56 (1440)	10°/5°	19700 (8936)	20830 (9448)
220 (5600)	113 (2870)	274 (6954)	265 (6730)	59 (1516)	68 (1740)	10°/5°	19950 (9049)	21080 (9562)
244 (6200)	123 (3120)	298 (7554)	289 (7330)	69 (1766)	78 (1990)	10°/5°	20160 (9144)	21290 (9657)

Note: GP135-155VX use standard 8.25 x 15 x 14 PR pneumatic drive tires @ 82.0 inch (2082 mm) overall width.

General Specifications GP135-155VX

		Yale			Yale			
		GP135VX			GP155VX			
		PSI 4.3L	Kubota 3.8L DOC	Kubota 3.8L high output diesel	PSI 4.3L	Kubota 3.8L DOC	Kubota 3.8L high output diesel	
GENERAL	1 Manufacturer	Yale			Yale			
	2 Model	GP135VX			GP155VX			
	3 Engine	PSI 4.3L	Kubota 3.8L DOC	Kubota 3.8L high output diesel	PSI 4.3L	Kubota 3.8L DOC	Kubota 3.8L high output diesel	
	3 Rated capacity	lb (kg)	13,500 (6,000)			15,500 (7,000)		
	4 Load center, distance	in (mm)	24 (610)			24 (610)		
	5 Engine/power type - gasoline, LPG, diesel		LPG	Diesel		LPG	Diesel	
	6 Operator type		Seated Rider			Seated Rider		
	7 Step height	in (mm)	12.6 (321)			12.6 (321)		
	8 Tire type - cushion, solid, pneumatic		Pneumatic			Pneumatic		
DIMENSIONS	9a Wheels, number - front/rear (X = driven)	4X/2			4X/2			
	9b Track width, front / rear	72.7 (1846) / 60.5 (1535)			72.7 (1846) / 60.5 (1535)			
	10 Lift height, w/LBR (TOF) (rounded down)	in (mm)	212 (5400)			212 (5400)		
	11a Std free lift height (TOF) (rounded down)	in (mm)	6 (160)			6 (160)		
	11b Optional full free lift w/ LBR (TOF) (rounded down)	in (mm)	95 (2416)			95 (2416)		
	11c Optional full free lift w/o LBR (TOF) (rounded down)	in (mm)	103 (2640)			103 (2640)		
	12 Standard carriage width	in (mm)	78 (1981)			78 (1981)		
	13 Standard forks, thickness x width x length	in (mm)	6 x 2.5 x 48 (150 x 60 x 1219)			6 x 2.5 x 48 (150 x 60 x 1219)		
	14a Standard fork spread, minimum inside dimensions	in (mm)	6.3 (160)			6.3 (160)		
	14b Standard fork spread, maximum outside dimensions	in (mm)	73.9 (1876)			73.9 (1876)		
	15 Mast tilt, forward/backward	degrees	5 / 10			5 / 10		
	16 Overall length (to face of forks)	in (mm)	141.9 (3604)			144.4 (3669)		
	17 Overall width	in (mm)	82.0 (2082)			82.0 (2082)		
	18 Height, standard mast - lowered	in (mm)	148 (3740)			148 (3740)		
	19a Height, standard mast-extended w/o LBR (rounded up)	in (mm)	260 (6595)			260 (6595)		
	19b Height, standard mast-extended w/ LBR (rounded up)	in (mm)	266 (6754)			266 (6754)		
	20a Height, standard overhead guard (high) (rounded up)	in (mm)	100 (2531)			100 (2531)		
	20b Height, standard overhead guard (cab) (rounded up)	in (mm)	101 (2549)			101 (2549)		
	21a Turning radius, minimum outside (OTR)	in (mm)	130.7 (3320)			133.4 (3388)		
	21b Turning radius, minimum inside (ITR)	in (mm)	9.1 (230)			9.1 (230)		
	22 Length, center of wheels to face of forks	in (mm)	23.7 (601)			23.7 (601)		
	23a Aisle width, right angle stack (pallet w=42in, L=48in)	in (mm)	202.4 (5140)			205.0 (5207)		
	23a Aisle width, right angle stack (add length of load)	in (mm)	154.4 (3921)			157.0 (3988)		
	24 Equal aisle, 90-degree intersecting aisle	in (mm)	111.6 (2835)			111.8 (2865)		
PERFORMANCE	25a Travel speed fwd, RL/NL w/ 2-speed (Fwd) transmission	mph (km/h)	13.7/14.4 (22.2/23.2)	12.7/13.4 (20.5/21.7)	14.1/14.8 (22.7/23.9)	13.6/14.2 (21.9/22.9)	12.6/13.4 (20.4/21.6)	14.0/14.7 (22.6/23.8)
	25b Travel speed fwd, RL/NL w/ 3-speed (Fwd) transmission	mph (km/h)	15.3/16.1 (24.7/26.0)	13.8/14.6 (22.3/23.6)	15.3/16.1 (24.7/26.0)	15.2/16.1 (24.5/26.0)	13.7/14.7 (22.2/23.6)	15.2/16.1 (24.5/26.0)
	25c Travel speed rev, RL/NL w/ either transmission	mph (km/h)	13.7/14.4 (22.2/23.2)	12.7/13.4 (20.5/21.7)	14.1/14.8 (22.7/23.9)	13.6/14.2 (21.9/22.9)	12.6/13.4 (20.4/21.6)	14.0/14.7 (22.6/23.8)
	26a Lift speed, standard 2-stage LFL RL/NL	ft/min (m/s)	100/102 (0.51/0.52)	92/94 (0.47/0.48)	100/102 (0.51/0.52)	94/102 (0.48/0.52)	84/94 (0.43/0.46)	94/102 (0.48/0.52)
	26b Lift speed, optional 3-stage FFL RL/NL	ft/min (m/s)	96/98 (0.49/0.50)	88/90 (0.45/0.46)	96/98 (0.49/0.50)	90/98 (0.46/0.50)	82/90 (0.42/0.46)	90/98 (0.46/0.50)
	27a Lowering speed, standard 2-Stage LFL RL/NL	ft/min	114/104 (.58/.53)			114/104 (.58/.53)		
	27b Lowering speed, optional 3-stage FFL RL/NL	ft/min (m/s)	104/81 (.53/.41)			104/81 (.53/.41)		
	28a 2-Spd Xmsn drawbar pull @ maximum RL/NL	lb (kg)	9287/5686 (4212/2579)	10374/5686 (4705/2579)	10500/5686 (4762/2579)	9232/5507 (4187/2498)	10319/5507 (4680/2498)	10500/5507 (4762/2498)
	28b 2-Spd Xmsn drawbar pull @ 1 mph RL/NL	lb (kg)	7610/5686 (3451/2579)	8123/5686 (3684/2579)	10500/5686 (4762/2579)	7555/5507 (3427/2498)	8068/5507 (3659/2498)	10500/5507 (4762/2498)
	28c 2-Spd Xmsn drawbar pull @ 3 mph RL/NL	lb (kg)	4886/5686 (2216/2579)	4896/5686 (2221/2579)	7261/5686 (3293/2579)	4831/5507 (2191/2498)	4841/5507 (2196/2498)	7206/5507 (3269/2498)
	29a 2-Spd Xmsn minimum gradeability RL/NL	%	29/30	33/30	33/30	26/27	30/27	30/27
	29b 2-Spd Xmsn gradeability @ 1 mph RL/NL	%	24/30	25/30	33/30	21/27	23/27	30/27
	29c 2-Spd Xmsn gradeability @ 3 mph RL/NL	%	15/30	20/30	22/30	13/27	18/27	20/27
	28a 3-Spd Xmsn drawbar pull @ maximum RL/NL	lb (kg)	10000/5686 (4535/2579)	11500/5686 (5216/2579)	11500/5686 (5216/2579)	10000/5507 (4535/2498)	11500/5507 (5216/2498)	11500/5507 (5216/2498)
	28b 3-Spd Xmsn drawbar pull @ 1 mph RL/NL	lb (kg)	10000/5686 (4535/2579)	11500/5686 (5216/2579)	11500/5686 (5216/2579)	10000/5507 (4535/2498)	11485/5507 (5209/2498)	11500/5507 (5216/2498)
	28c 3-Spd Xmsn drawbar pull @ 3 mph RL/NL	lb (kg)	6303/5686 (2859/2579)	5362/5686 (2432/2579)	8605/5686 (3903/2579)	6248/5507 (2834/2498)	5307/5507 (2407/2498)	8550/5507 (3878/2498)
	29a 3-Spd Xmsn minimum gradeability RL/NL	%	32/30	37/30	37/30	29/27	33/27	33/27
	29b 3-Spd Xmsn gradeability @ 1 mph RL/NL	%	32/30	37/30	37/30	29/27	33/27	33/27
	29c 3-Spd Xmsn gradeability @ 3 mph RL/NL	%	19/30	16/30	27/30	17/27	15/27	24/27
	WT.	30a Weight, standard truck NL	lb (kg)	19701 (8936)	19877 (9016)		20836 (9451)	21013 (9531)
30b Weight, standard truck RL		lb (kg)	33231 (15073)	33407 (15153)		36370 (16497)	36547 (16577)	
31a Axle loading, static front/rear NL		lb (kg)	9478/10226 (4299/4638)	9566/10314 (4339/4678)		9181/11656 (4164/5287)	9269/11745 (4204/5327)	
31b Axle loading, static front/rear RL		lb (kg)	30332/2900 (13758/1315)	30420/2988 (13798/1355)		33125/3246 (15025/1472)	33213/3334 (15065/1512)	
TIRES & WHEELS	32 Tire size, front / rear	8.25 X 15 14PR / 8.25 X 15 14PR			8.25 X 15 14PR / 8.25 X 15 14PR			
	34 Wheelbase	in (mm)	88.0 (2235)			88.0 (2235)		
	35 Ground clearance under mast, RL	in (mm)	5.7 (146)			5.7 (146)		
	36 Ground clearance, center of wheelbase	in (mm)	10.0 (253)			10.0 (253)		
	37 Service Brake - method of control/operation		Foot / Hydraulic			Foot / Hydraulic		
	38 Park brake - method of control/operation		Hand / Mechanical			Hand / Mechanical		
POWERTRAIN	39 Battery type	Maintenance Free			Maintenance Free			
	40 Volts / cold cranking amps	v / cca	12V/475	12V/1800 (2x 900)	12V/475	12V/1800 (2x 900)		
	41 Engine manufacturer	PSI 4.3L	Kubota 3.8L Turbo Diesel		PSI 4.3L	Kubota 3.8L Turbo Diesel		
	42 Engine power @ governed speed	hp (kw)	96 (72) @ 2400 RPM	74 (55) @ 2200 RPM	110 (82) @ 2400 RPM	96 (72) @ 2400 RPM	74 (55) @ 2200 RPM	110 (82) @ 2400 RPM
	43 Torque @ rated RPM	ft lbs. (N m)	210 (285) @2400 RPM	227 (309) @ 1400RPM	275 (373) @ 1600RPM	210 (285) @2400 RPM	227 (309) @ 1400RPM	275 (373) @ 1600RPM
	44 Number of cylinders / displacement	No / cc (ci)	6/4302 (262)	4/3769 (230)		6/4302 (262)	4/3769 (230)	
	45 Transmission type, standard		Powershift			Powershift		
	46a Standard Speeds, forward/reverse		2/2			2/2		
	46b Optional speeds, forward/reverse		3/2			3/2		
	47 Hydraulic tank capacity (drain and refill)	gal (liter)	18.9 (71.7)			18.9 (71.7)		
48 Fuel tank capacity (diesel powered units only)	gal (liter)	19.7 (74.8)			19.7 (74.8)			
49 Auxiliary hydraulic pressure relief for attachments	PSI (Mpa)	2250 (155)			2250 (155)			

RL = Rated Load, NL = No Load

GP135-155VX

Standard equipment

- PSI 4.3L, V-6 emissions compliant engine
- Electronic powershift transmission
 - Hydraulic inching
 - Electronic shift control
 - 2 speeds forward, 2 speeds reverse
- Oil-cooled wet disc brakes
- Foot direction control pedal
- 2-Stage limited free-lift (LFL) Hi-Vis™ mast with maximum fork height of 133" (2400 mm)
- 48.0" (1219 mm) wide hook-type carriage with 48.0" (1219) tall load backrest extension
- 48.0" (1219 mm) long forks
- 6 degrees forward and 10 degrees backward mast tilt
- 3-function hydraulic control valve
- Integrated dashboard display includes:
 - LCD display:
 - Fuel level (diesel only)
 - Hour meter
 - Coolant temperature
 - Clock
 - Messages
 - Service indicator lights:
 - Alternator
 - Transmission oil temperature
 - Engine oil pressure
 - Brake fluid level
 - Fasten seat belt
 - Low fuel level
 - Engine malfunction
 - System malfunction
 - Park brake
 - Coolant temperature
 - Forward, reverse and neutral direction indicators
- UL Classification LPG
- Hydrostatic power steering
- Non-suspension vinyl seat
- No-cinch seat belt
- Electronic horn
- Adjustable steer column
- Rubber floor mat
- High air intake
- Integral tie downs
- Operator restraint system
- Combi-cooler radiator
- Single pedal inch brake
- Cowl-mounted hydraulic control levers
- Running board mounted LPG tank bracket
- Pressure sensing low LPG fuel sensor
- 100" (2531 mm) tall overhead guard
- 12 months / 2,000 hours manufacturer's warranty
- 36 months / 6,000 hours manufacturer's powertrain warranty
- Operator's manual

Options

- Kubota 3.8L EPA Certified Tier 4 Final high output turbo diesel engine
- Kubota 3.8L DOC EPA Certified Tier 4 Final turbo diesel engine
- Techtronix 332™ transmission
 - 3 speeds forward, 2 speeds reverse
 - Electronic inching
 - Electronic shift control
 - Auto deceleration system
 - Controlled power reversal
 - Controlled roll back on ramps
- LED lights (brake/tail/back-up)
- Powertrain protection system
- Premium monitoring
- High air intake with precleaner
- Accumulator
- Keyless start (with auxiliary key switch)
- Dual LPG tank bracket
- Return to set tilt
- Accutouch hydraulic mini-levers with fully adjustable armrest
- Rear drive handle with horn button
- Full suspension seat - vinyl or cloth
- Swivel full-suspension seat - vinyl or cloth
- High-visibility non-cinch seat belt with or without interlock
- Impact monitor with immediate or delayed shutdown
- Load weight display
- Operator pre-shift checklist
- Dual-inch brake pedals
- Operator password protection
- Audible reverse activated 82-102 dB(A) self-adjusting alarm
- Visible alarm: amber LED strobe light - continuously activated, overhead guard mounted
- Parts publications - printed or CD, serial number specific
- UL Classification D, LPS, DS
- Various light packages available with halogen or high intensity LED:
 - Two front and one rear work lights
 - Two front, one rear work light and two brake/tail/back-up lights
- Cab includes the following:
 - Front and rear wiper
 - Full light package
 - Integral heater
 - Defogger
 - Removable doors
 - Operator dome light
 - Fan
 - Optional air conditioning
- Side view mirrors



YALE MATERIALS HANDLING CORPORATION • P.O. Box 7367, Greenville, NC 27835-7367

www.yale.com Manufactured in our own ISO 9001 and 14001 Registered Facilities

YALE,  and PEOPLE. PRODUCTS. PRODUCTIVITY. are trademarks, service marks or registered marks in the United States and certain other jurisdictions. © Yale Materials Handling Corporation 2020. All Rights Reserved.

Trucks may be shown with optional equipment. Truck performance may be affected by the condition of the vehicle, how it is equipped and the application. Specifications are subject to change without notice. Consult your Yale® Dealer if any of the information shown is critical to your application. CERTIFICATION: Yale lift trucks meet the design and construction requirements of B56.1-1969, per OSHA Section 1910.178(a)(2), and also comply with the B56.1 revision in effect at time of manufacture. Classified by Underwriters' Laboratories, Inc.