



GP155-170SVX

15,500 - 17,000 lb

ICE Pneumatic Tire Fork Lift

Maximize maneuverability

From seasonal stockpiling to soaring inventories, operations need more space—but rising commercial real estate costs make expansion and new construction prohibitively expensive.

Instead, operations must make the most of existing square footage, serving dense storage configurations with lift trucks designed to work through confined, congested spaces. The Yale® GP155-170SVX is up to the task, with enhanced maneuverability and visibility to help keep product and facility damage to a minimum and productivity and control to a maximum.

Shorter counterweight

A shortened counterweight design enables a more compact truck with industry-leading right angle stack measurements, helping to improve maneuverability through tight spaces.

Turn Assist System

At maximum steering angles, the Turn Assist System applies braking to the inside drive tire for tight, consistent maneuvering, helping reduce turning radius regardless of load weight or road surface conditions.

Optimized forward visibility

A new standard mast design provides operators with a significant front field of view, helping to optimize visibility of the forks and load and increase operator comfort—thereby enabling safe and efficient operation.

Rear view display

An optional rear facing camera with corresponding rear view LCD display, provides 118° range of vision which helps assist operators in monitoring rear of the truck while maneuvering or changing directions.

For more information on the standard truck, please refer to the GP135-155VX and GP170-190VX brochures and spec sheets found on Yale.com.

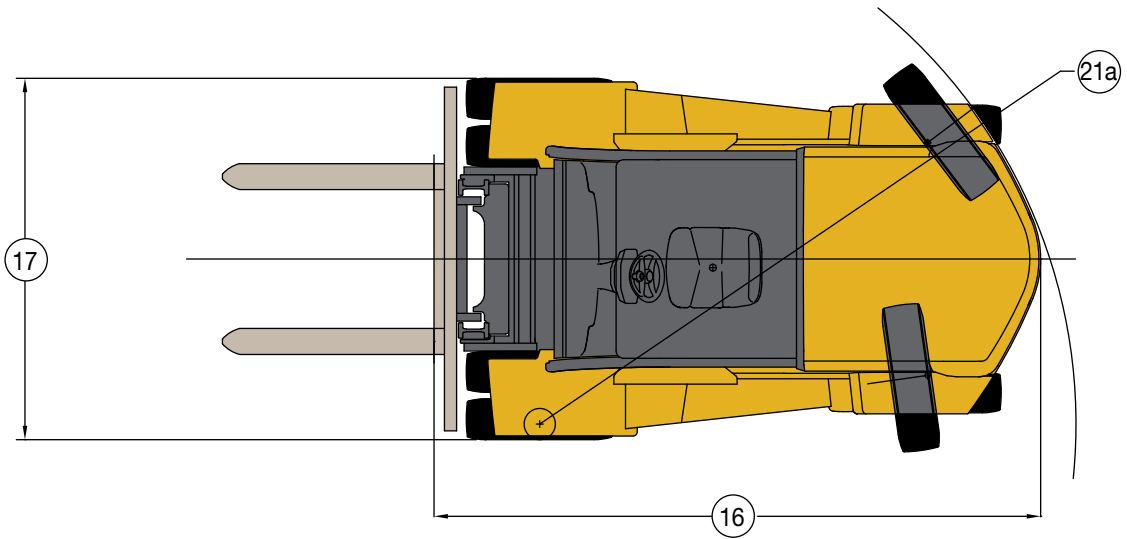
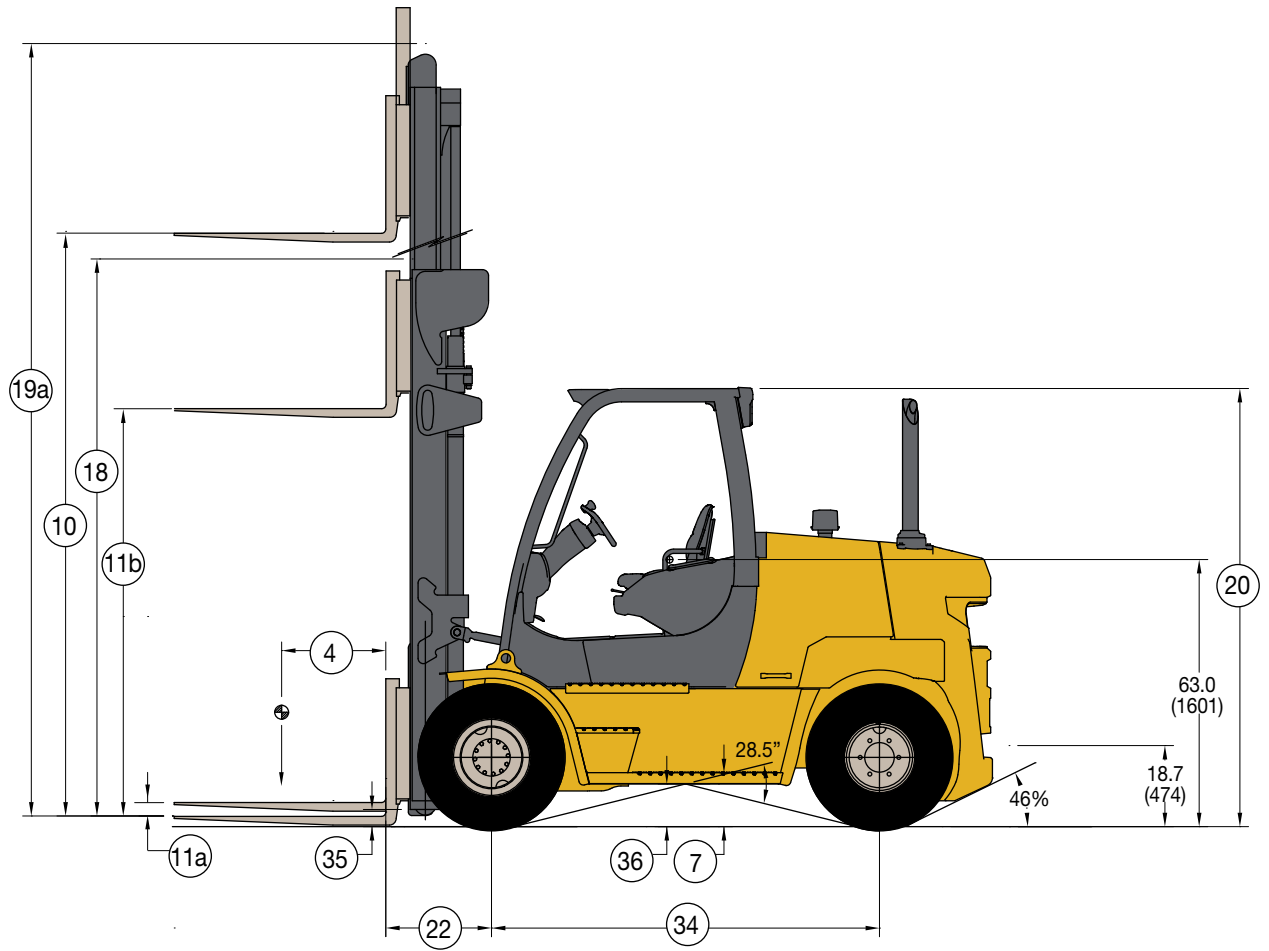


Did you know?

Commercial property prices have been steadily rising since 2010. With inventory levels growing, optimizing your existing space can help support growth without costly real estate investment.



Truck Dimensions GP155-170SVX



General Specifications GP155SVX

GENERAL	1	Manufacturer	Yale			
	2	Model	GP155SVX			
		Engine	PSI 4.3L	Kubota 3.8L DOC	Kubota 3.8L high output	
	3	Rated capacity	lb (kg)	15,500 (7,000)		
	4	Load center, distance	in (mm)	24 (610)		
	5	Engine/power type-gasoline, LPG, diesel	LGP	Diesel		
	6	Operator type	Seated Rider			
	7	Step height	in (mm)	12.2 (311)		
DIMENSIONS	8	Tire type	Pneumatic			
	9a	Wheels, number - front/rear (X = driven)	Std dr/wide dr/steer	4X/2		
	9b	Track width front/rear	in (mm)	72.7 (1846) / 60.5 (1535)		
	10	Lift height, w/LBR (TOF) (rounded down)	in (mm)	118 (3000)		
	11a	Std free lift height (TOF) (rounded down)	in (mm)	3.9 (100)		
	11b	Optional full free lift w/ LBR (TOF) (rounded down)	in (mm)	43 (1098)****		
	11c	Optional full free lift w/o LBR (TOF) (rounded down)	in (mm)	56 (1425)****		
	12	Standard carriage width	in (mm)	78 (1981)		
	13	Standard forks, thickness x width x length	in (mm)	2.5 x 6.0 x 47 (60 x 150 x 1200)		
	14a	Standard fork spread, minimum inside dimensions	in (mm)	6.2 (160)		
	14b	Standard fork spread, maximum outside dimensions	in (mm)	73.8 (1876)		
	15	Mast tilt, forward/backward	degrees	5/10		
	16	Overall length (to face of forks)*	in (mm)	137.6 (3495)		
	17	Overall width	in (mm)	82.0 (2082)		
	18	Height, standard mast - lowered	in (mm)	96.7 (2456)		
	19a	Height, standard mast - extended w/o LBR (rounded up)	in (mm)	159.1 (4040)		
	19b	Height, Standard Mast - extended w/ LBR (rounded up)	in (mm)	171.3 (4350)		
	20a	Height, standard overhead guard (high) (rounded up)	in (mm)	100 (2531)		
	20b	Height, standard overhead guard (cab) (rounded up)	in (mm)	101 (2549)		
	21a	Turning radius, minimum outside (OTR)**	in (mm)	121.3 (3080)		
	21b	Turning radius, minimum inside (ITR)***	in (mm)	-3.5 (-90)		
	22	Length, center of wheels to face of forks*	in (mm)	24 (609)		
	23a	Aisle width, right angle stack (pallet w=42in, L=48in)	in (mm)	193.2 (4908)		
	23a	Aisle width, right angle stack (add length of load)	in (mm)	145.2 (3688)		
24	Equal aisle, 90-degree intersecting aisle *~	in (mm)	113.5 (2883)			
PERFORMANCE	25a	Travel speed fwd, RL/NL w/ 2-speed (fwd) transmission	mph (km/h)	13.6/14.3 (22.0/23.1)	12.6/13.4 (20.3/21.6)	14.0/14.7 (22.6/23.8)
	25b	Travel speed fwd, RL/NL w/ 3-speed (fwd) transmission	mph (km/h)	15.2/16 (24.5/25.9)	13.7/14.6 (22.1/23.5)	15.2/16.1 (24.5/26.0)
	25c	Travel speed rev, RL/NL w/ either transmission	mph (km/h)	13.6/14.3 (22.0/23.1)	12.6/13.4 (20.3/21.6)	14.0/14.7 (22.6/23.8)
	26a	Lift speed, standard 2-stage LFL RL/NL	ft / min (m/s)	90/102 (0.46/0.52)	90/102 (0.46/0.52)	94/102 (0.48/0.52)
	26b	Lift speed, optional 3-stage FFL RL/NL	ft / min (m/s)	90/102 (0.46/0.52)	90/102 (0.46/0.52)	90/98 (0.46/0.50)
	27a	Lowering speed, standard 2-stage LFL RL/NL	ft / min (m/s)		114/104 (0.58/0.53)	
	27b	Lowering speed, optional 3-stage FFL RL/NL	ft / min (m/s)		104/81 (0.53/0.41)	
	28a	2-Spd Xmsn drawbar pull @ Maximum RL/NL	lb (kg)	9203/5419 (4174/2458)	10288/5419 (4666/2458)	10500/5419 (4762/2458)
	28b	2-Spd Xmsn drawbar pull @ 1 mph RL/NL	lb (kg)	7526/5419 (3414/2458)	8038/5419 (3645/2458)	10500/5419 (4762/2458)
	28c	2-Spd Xmsn drawbar pull @ 3 mph RL/NL	lb (kg)	4802/5419 (2178/2458)	4811/5419 (2182/2458)	7175/5419 (3254/2458)
	29a	2-Spd Xmsn minimum gradeability RL/NL	%	25/25	28/25	29/25
	29b	2-Spd Xmsn gradeability @ 1 mph RL/NL	%	20/25	22/25	29/25
	29c	2-Spd Xmsn gradeability @ 3 mph RL/NL	%	13/25	13/25	19/25
	28a	3-Spd Xmsn drawbar pull @ Maximum RL/NL	lb (kg)	10000/5419 (4535/2458)	11500/5419 (5216/2458)	11500/5419 (5216/2458)
	28b	3-Spd Xmsn drawbar pull @ 1 mph RL/NL	lb (kg)	10000/5419 (4535/2458)	11485/5419 (5209/2458)	11500/5419 (5216/2458)
	28c	3-Spd Xmsn drawbar pull @ 3 mph RL/NL	lb (kg)	6248/5419 (2834/2458)	5307/5419 (2407/2458)	8550/5419 (3878/2458)
29a	3-Spd Xmsn minimum gradeability RL/NL	%	27/25	32/25	32/25	
29b	3-Spd Xmsn gradeability @ 1 mph RL/NL	%	27/25	32/25	32/25	
29c	3-Spd Xmsn gradeability @ 3 mph RL/NL	%	16/25	14/25	23/25	
WEIGHT	30a	Weight, standard truck NL	lb (kg)	22406 (10163)	22582 (10243)	
	30b	Weight, standard truck RL	lb (kg)	37838 (17163)	38015 (17243)	
	31a	Axle loading, static front/rear NL	lb (kg)	9053/13354 (4106/6057)	9141/13442 (4146/6097)	
	31b	Axle loading, static front/rear RL	lb (kg)	32948/4921 (14945/2232)	33037/5009 (14985/2272)	
TIRES & WHEELS	32	Tire size, front / rear	8.25 X 15 14PR / 8.25 X 15 14PR			
	34	Wheelbase	in (mm)	88.0 (2235)		
	35	Ground clearance under mast, RL	in (mm)	5.9 (150)		
	36	Ground clearance, center of wheelbase	in (mm)	9.7 (246)		
	37	Service brake - method of control/operation	Foot / Hydraulic			
	38	Park brake - method of control/operation	gal/min (l/min)	Hand / Mechanical		
	39	Battery type	Maintenance Free			
	40	Volts / cold cranking amps	v / cca	12V/475	12V/1800 (2x 900)	
POWERTRAIN	41	Engine manufacturer	PSI 4.3L	Kubota 3.8L Turbo Diesel		
	42	Engine power @ governed speed	hp (kw)	96 (72) @ 2400 RPM	74 (55) @ 2200 RPM	110 (82) @ 2400 RPM
	43	Torque @ rated RPM	ft lb.. (N m)	210 (285) @2400 RPM	227 (309) @ 1400RPM	275 (373) @ 1600 RPM
	44	Number of cylinders / displacement	No / cc (ci)	6/4302 (262)	4/3769 (230)	
	45	Transmission type, standard	Powershift			
	46a	Standard speeds, forward/reverse	2/2			
	46b	Optional speeds, forward/reverse	3/2			
	47	Hydraulic tank capacity (drain and refill)	gal (liter)	18.9 (71.7)		
	48	Fuel Tank capacity (diesel powered units only)	gal (liter)	19.7 (74.8)		
	49	Auxiliary hydraulic pressure relief for attachments	PSI (Mpa)	2250 (155)		

* Measured with standard mast and carriage

** Measured with Turn Assist System equipped. OTR without Turn Assist System is GP155SVX: 129.3 in (3282mm); GP170SVX: 131.8 in (3347mm)

*** Measured with Turn Assist System equipped. ITR without Turn Assist System is GP155SVX: 9.1 in (230mm); GP170SVX: 9.1 in (230mm)

**** Measured with lowest offered height 3 Stage FFL Mast

*~ Based on metric load size

General Specifications GP170SVX

GENERAL	1	Manufacturer		Yale			
	2	Model		GP170SVX			
		Engine		PSI 4.3L	Kubota 3.8L DOC	Kubota 3.8L high output	
	3	Rated capacity	lb (kg)	17,000 (8,000)			
	4	Load center, distance	in (mm)	24 (610)			
	5	Engine/power type-gasoline, LPG, diesel		LGP	Diesel		
	6	Operator type		Seated Rider			
	7	Step height	in (mm)	12.2 (311)			
	8	Tire type		Pneumatic			
	9a	Wheels, number - front/rear (X = driven)		4X/2			
9b	Track width front/rear	in (mm)	72.7 (1846) / 60.5 (1535)				
DIMENSIONS	10	Lift height, w/LBR (TOF) (rounded down)	in (mm)	121 (3065)			
	11a	Std free lift height (TOF) (rounded down)	in (mm)	0 (0)			
	11b	Optional full free lift w/ LBR (TOF) (rounded down)	in (mm)	53 (1355) ****			
	11c	Optional full free lift w/o LBR (TOF) (rounded down)	in (mm)	57.5 (1461) ****			
	12	Standard carriage width	in (mm)	80 (2030)			
	13	Standard forks, thickness x width x length	in (mm)	2.5 x 7.9 x 47 (65 x 200 x 1200)			
	14a	Standard fork spread, minimum inside dimensions	in (mm)	3 (75)			
	14b	Standard fork spread, maximum outside dimensions	in (mm)	82.5 (2100)			
	15	Mast tilt, forward/backward	degrees	5/9			
	16	Overall length (to face of forks)*	in (mm)	140.6 (3570)			
	17	Overall width	in (mm)	82.0 (2082)			
	18	Height, standard mast - lowered	in (mm)	106.8 (2712)			
	19a	Height, standard mast - extended w/o LBR (rounded up)	in (mm)	166.9 (4239)			
	19b	Height, Standard Mast - extended w/ LBR (rounded up)	in (mm)	171.2 (4347)			
	20a	Height, standard overhead guard (high) (rounded up)	in (mm)	100 (2531)			
	20b	Height, standard overhead guard (cab) (rounded up)	in (mm)	101 (2549)			
	21a	Turning radius, minimum outside (OTR)**	in (mm)	123.8 (3145)			
	21b	Turning radius, minimum inside (ITR)***	in (mm)	-3.5 (-90)			
	22	Length, center of wheels to face of forks*	in (mm)	24.2 (614)			
	23a	Aisle width, right angle stack (pallet w=42in, L=48in)	in (mm)	196 (4978)			
	23a	Aisle width, right angle stack (add length of load)	in (mm)	148 (3760)			
	24	Equal aisle, 90-degree intersecting aisle *~	in (mm)	113.5 (2883)			
	PERFORMANCE	25a	Travel speed fwd, RL/NL w/ 2-speed (fwd) transmission	mph (km/h)	13.6/14.3 (21.9/23.1)	12.5/13.2 (20.1/21.4)	13.8/14.7 (22.3/23.7)
		25b	Travel speed fwd, RL/NL w/ 3-speed (fwd) transmission	mph (km/h)	15/16.0 (24.3/25.8)	13.5/14.4 (21.8/23.3)	15/16.0 (24.3/25.8)
25c		Travel speed rev, RL/NL w/ either transmission	mph (km/h)	13.6/14.3 (21.9/23.1)	12.5/13.2 (20.1/21.4)	13.8/14.7 (22.3/23.7)	
26a		Lift speed, standard 2-stage LFL RL/NL	ft / min (m/s)	70/70 (0.36/0.36)	70/70 (0.36/0.36)	64/64 (0.33/0.33)	
26b		Lift speed, optional 3-stage FFL RL/NL	ft / min (m/s)	70/70 (0.36/0.36)	70/70 (0.36/0.36)	64/64 (0.33/0.33)	
27a		Lowering speed, standard 2-stage LFL RL/NL	ft / min (m/s)	80/72 (0.41/0.37)			
27b		Lowering speed, optional 3-stage FFL RL/NL	ft / min (m/s)	76/64 (0.39/0.33)			
28a		2-Spd Xmsn drawbar pull @ Maximum RL/NL	lb (kg)	9114/6326 (4135/2869)	10201/6326 (4627/2869)	10500/6326 (4762/2869)	
28b		2-Spd Xmsn drawbar pull @ 1 mph RL/NL	lb (kg)	7439/6326 (3374/2869)	7951/6326 (3606/2869)	10500/6326 (4762/2869)	
28c		2-Spd Xmsn drawbar pull @ 3 mph RL/NL	lb (kg)	4716/6326 (2139/2869)	4724/6326 (2142/2869)	7089/5507 (3215/2498)	
29a		2-Spd Xmsn minimum gradeability RL/NL	%	22/26	24/26	25/26	
29b		2-Spd Xmsn gradeability @ 1 mph RL/NL	%	18/26	19/26	25/26	
29c		2-Spd Xmsn gradeability @ 3 mph RL/NL	%	11/26	11/26	17/26	
28a		3-Spd Xmsn drawbar pull @ Maximum RL/NL	lb (kg)	10000/6326 (4535/2869)	11500/6326 (5216/2869)	11500/6326 (5216/2869)	
28b		3-Spd Xmsn drawbar pull @ 1 mph RL/NL	lb (kg)	10000/6326 (4535/2869)	11369/6326 (5157/2869)	11500/6326 (5216/2869)	
28c		3-Spd Xmsn drawbar pull @ 3 mph RL/NL	lb (kg)	6132/6326 (2781/2869)	5191/6326 (2354/2869)	8434/5507 (3825/2498)	
29a		3-Spd Xmsn minimum gradeability RL/NL	%	24/26	28/26	28/26	
29b		3-Spd Xmsn gradeability @ 1 mph RL/NL	%	24/26	27/26	28/26	
29c	3-Spd Xmsn gradeability @ 3 mph RL/NL	%	14/26	12/26	20/26		
WEIGHT	30a	Weight, standard truck NL	lb (kg)	25332 (11490)	25508 (11570)		
	30b	Weight, standard truck RL	lb (kg)	42969 (19490)	43145 (19570)		
	31a	Axle loading, static front/rear NL	lb (kg)	10283/15049 (4664/6826)	10283/15049 (4664/6826)		
	31b	Axle loading, static front/rear RL	lb (kg)	37534/5472 (17025/2482)	37622/5561 (17065/2522)		
TIRES & WHEELS	32	Tire size, front / rear		8.25 X 15 14PR / 8.25 X 15 14PR			
	34	Wheelbase	in (mm)	88.0 (2235)			
	35	Ground clearance under mast, RL	in (mm)	6.8 (173)			
	36	Ground clearance, center of wheelbase	in (mm)	9.7 (246)			
	37	Service brake - method of control/operation		Foot / Hydraulic			
	38	Park brake - method of control/operation	gal/min (l/min)	Hand / Mechanical			
	39	Battery type		Maintenance Free			
POWERTRAIN	40	Volts / cold cranking amps	v / cca	12V/475	12V/1800 (2x 900)		
	41	Engine manufacturer		PSI 4.3L	Kubota 3.8L Turbo Diesel		
	42	Engine power @ governed speed	hp (kw)	96 (72) @ 2400 RPM	74 (55) @ 2200 RPM	110 (82) @ 2400 RPM	
	43	Torque @ rated RPM	ft lb.. (N m)	210 (285) @2400 RPM	227 (309) @ 1400RPM	275 (373) @ 1600 RPM	
	44	Number of cylinders / displacement	No / cc (ci)	6/4302 (262)	4/3769 (230)		
	45	Transmission type, standard		Powershift			
	46a	Standard speeds, forward/reverse		2/2			
	46b	Optional speeds, forward/reverse		3/2			
	47	Hydraulic tank capacity (drain and refill)	gal (liter)	18.9 (71.7)			
	48	Fuel Tank capacity (diesel powered units only)	gal (liter)	19.7 (74.8)			
49	Auxiliary hydraulic pressure relief for attachments	PSI (Mpa)	2250 (155)				

* Measured with standard mast and carriage

** Measured with Turn Assist System equipped. OTR without Turn Assist System is GP155SVX: 129.3 in (3282mm); GP170SVX: 131.8 in (3347mm)

*** Measured with Turn Assist System equipped. ITR without Turn Assist System is GP155SVX: 9.1 in (230mm); GP170SVX: 9.1 in (230mm)

**** Measured with lowest offered height 3 Stage FFL Mast

*~ Based on metric load size

GP155SVX Mast Dimensions

Max. Fork Height (TOF)	Overall Lowered Height	Overall Extended Height w/ Load Backrest	Overall Extended Height w/o Load Backrest	Free-Lift (TOF) w/Load Backrest	Free-Lift (TOF) w/o Load Backrest
in (mm)	in (mm)	in (mm)	in (mm)	in (mm)	in (mm)
2-Stage LFL Mast					
118 (3000)	100 (2540)	172 (4354)	166 (4195)	6 (160)	6 (160)
133 (3400)	108 (2740)	188 (4754)	181 (4595)	6 (160)	6 (160)
173 (4400)	128 (3240)	227 (5754)	221 (5595)	6 (160)	6 (160)
212 (5400)	148 (3740)	266 (6754)	260 (6595)	6 (160)	6 (160)
236 (6000)	164 (4165)	292 (7417)	277 (7040)	6 (160)	6 (160)
3-Stage FFL Mast					
185 (4700)	102 (2570)	239 (6054)	230 (5830)	47 (1216)	56 (1440)
220 (5600)	113 (2870)	274 (6954)	265 (6730)	59 (1516)	68 (1740)
244 (6200)	123 (3120)	298 (7554)	289 (7330)	69 (1766)	78 (1990)

GP170SVX Mast Dimensions

Max. Fork Height (TOF)	Overall Lowered Height	Overall Extended Height w/ Load Backrest	Overall Extended Height w/o Load Backrest	Free-Lift (TOF) w/Load Backrest	Free-Lift (TOF) w/o Load Backrest
in (mm)	in (mm)	in (mm)	in (mm)	in (mm)	in (mm)
2-Stage LFL Mast					
121 (3065)	107 (2715)	171 (4347)	167 (4239)	0 (0)	0 (0)
140 (3565)	117 (2965)	191 (4847)	187 (4739)	0 (0)	0 (0)
179 (4565)	137 (3465)	230.2 (5847)	226 (5739)	0 (0)	0 (0)
219 (5565)	156 (3965)	267 (6847)	265 (6739)	0 (0)	0 (0)
238 (6065)	166 (4215)	289 (7347)	285 (7239)	0 (0)	0 (0)
3-Stage FFL Mast					
181 (4615)	107 (2705)	232 (5897)	228 (5791)	56 (1420)	60 (1526)
217 (5515)	118 (3005)	268 (6797)	263 (6691)	68 (1720)	72 (1826)
234 (5965)	125 (3115)	285 (7247)	281 (7141)	74 (1870)	78 (1976)
258 (6565)	132 (3355)	309 (7847)	305 (7741)	82 (2070)	86 (2176)

GP155-170SVX standard equipment

- PSI 4.3L V6
- Electronic powershift transmission
 - Hydraulic inching
 - Electronic shift control
 - 2 speeds forward, 2 speeds reverse
- Premium oil-cooled wet disc brakes
- Lever shift directional control
- 2-stage limited free lift mast
 - 155: 118" (3000mm) maximum lift height
 - 170: 121" (3065mm) maximum lift height
- Hook type carriage w/ 48" (1220 mm) load back rest
 - 155: 78" (1980 mm) wide
 - 170: 80" (2030 mm) wide
- 47" (1200 mm) long forks
- Mast Tilt
 - 155: 5 forward / 10 back
 - 170: 5 forward / 9 back
- Integrated dashboard display
 - LCD display
 - Fuel level (diesel only)
 - Hour meter
 - Coolant temperature
 - Clock
 - Messages
 - Service indicator lights:
 - Alternator
 - Transmission oil temperature
 - Engine oil pressure
- Brake fluid level
- Fasten seat belt
- Low fuel level
- Engine malfunction
- System malfunction
- Park brake
- Coolant temperature
- Forward, reverse and neutral direction indicators
- 3 function (1 aux) hydraulic control valve
- Turn Assist System
- Hydrostatic power steering
- Non suspension vinyl seat
- No-cinch black seat belt
- Electronic horn
- Rear view mirror
- Adjustable steer column
- Rubber floor mat
- High air intake
- Integral tie downs
- Operator restraint system
- Combi-cooler radiator
- Single pedal inch brake
- Cowl mounted mechanical hydraulic control levers
- Side mounted single LPG tank
- Pressure sensing LPG fuel indicator system
- 100" (2531 mm) overhead guard
- 12 Months/2000 Hours Manufacturers Warranty
- 36 Months/6000 Hours Manufacturers Powertrain Warranty
- Operator's manual
- Key switch start
- Overhead exhaust
- U.L. Certification
- 43.5 lb steel LPG tank
- 8.25 x 15-14 pneumatic drive tires
- 8.25 x 15-14 pneumatic steer tires
- Steering wheel w/ spinner knob

GP155-170SVX optional equipment

- Kubota 3.8L DOC diesel
- Kubota 3.8L high output diesel
- Rear view display
- Foot directional control pedal
- Techtronix transmission
 - Electronic inching
 - Electronic shift control
 - Auto deceleration system
 - Controlled power reversal
 - Controlled roll back on ramps
 - 3 speeds forward, 2 speeds reverse
- Halogen or LED work lights
- Two front / one rear work light package
- Brake / tail / back up rear light package
- Powertrain protection w/ engine shutdown
- Premium monitoring
- High air intake w/ precleaner
- Hydraulic accumulator
- Keyless start w/ auxiliary key switch
- Counterweight mounted LPG bracket
- Side mounted dual LPG tanks
- Return to set tilt
- Accutouch mini-levers
- Seat-side directional control switch
- Rear drive handle w/ horn button
- Various full suspension vinyl and cloth seat options w/ flip up armrest
- Hi-vis red seatbelt w/ or w/o interlock
- Impact monitor w/ immediate or delayed shutdown
- Load weight display
- Operator pre-shift electronic checklist
- Dual pedal inch brake
- Operator passwords
- Audible reverse alarm
- Amber strobe light
- Publications – printed or CD, serial number specific
- Cab includes the following:
 - Front and rear wiper
 - Full light package
 - Integral heater
 - Defogger
 - Removable doors
 - Operator dome light
 - Fan
 - Optional air conditioning
- Dual side view mirrors
- Optical sensing LPG fuel indicator system
- Traction speed limiter
- Sealed alternator
- Various 2-stage and 3-stage masts
- Various carriage types
- Various fork lengths
- 5 forward / 6 back mast tilt
- 4 function (2 aux) hydraulic control valve
- Hydraulic quick disconnects
- Clamping hydraulic function
- Attachment extension tubes
- Various pneumatic drive and steer tires
- Fire extinguisher
- Steering wheel w/o spinner knob
- Lifting eye

For more information, or to find your nearest Yale® dealer, go to Yale.com.



YALE MATERIALS HANDLING CORPORATION

P.O. Box 7367, Greenville, NC 27835-7367

www.yale.com

YALE,  and PEOPLE. PRODUCTS. PRODUCTIVITY. are trademarks, service marks or registered marks in the United States and certain other jurisdictions. © Yale Materials Handling Corporation 2020. All Rights Reserved.

Truck performance may be affected by the condition of the vehicle, how it is equipped and the application. Consult your Yale® Industrial Truck Dealer if any of the information shown is critical to your application. Specifications are subject to change without notice. CERTIFICATION: Yale lift trucks meet the design and construction requirements of B56.1-1969, per OSHA Section 1910.178(a)(2), and also comply with the B56.1 revision in effect at time of manufacture. Classified by Underwriters' Laboratories, Inc., as to fire and electric shock hazard only for Type G, GS, D, DS, LP, LPS industrial trucks.

Manufactured in our own ISO 9001 and 14001 Registered Facilities

2220 4/2020 Trucks may be shown with optional equipment.