

Does the manual process of loading and unloading flat-pack and odd-shaped items slow your operational productivity?

Eliminate time consuming, labor-intensive processes, and achieve simple and productive transport.



The Yale® Heavyweight Handler™ - Drive productivity, drive savings



Cut unloading times up to 50%



Decrease labor up to 40%



Achieve estimated labor savings of \$74,400 per Heavyweight Handler¹



Increase utilization of available workforce



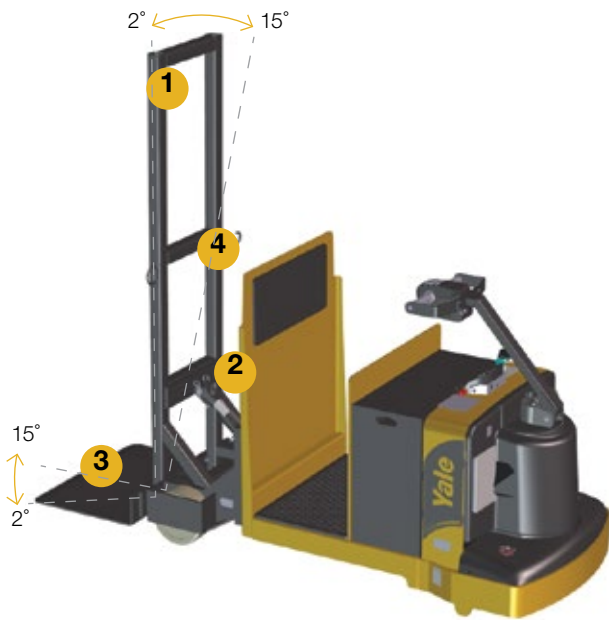
Lessen product, container and facility damage



Using the Heavyweight Handler, a large furniture distributor decreased the number of employees unloading trailers from five to seven, down to three. They also reduced unload times from 1 hr. 30 mins. to 45 mins. – doubling productivity.



Heavyweight Handler



- 1 Load backrest** – Angles and supports items during transport; reduces physical stress workers incur when manually moving heavy/bulky items
 - 15% tilt backward for stable transport
 - 2% tilt forward for loading and unloading

- 2 Tilt cylinder** – Permits hydraulic forward and backward tilt functions of load backrest; makes loading and unloading simple and effortless

- 3 Base support** – Slides under items for easy loading and unloading; reduces labor-intensive task of manually moving items onto a hand truck

- 4 Load strap** – Wraps around load, securing it during transport; provides added worker confidence and helps decrease physical strain

Specifications

GENERAL	Model designation		MTR007-F Heavyweight Handler
	Load capacity	lb (kg)	1,500 (680)
	Power type		24 V
	Operation type		Stand-up
DIMENSIONS	Wheelbase	in (mm)	39.2 (996)
	Truck width	in (mm)	36.9 (937)
	Overall length	in (mm)	103 (2,615)
	Turning radius, OTR narrow handle	in (mm)	51.9 (1,318)
	Ground clearance, between axles	in (mm)	5.4 (137)
	Grade clearance, frame	%	42
	Battery compartment size (L x W)	in (mm)	13.4 x 31.3 (340 x 794)
	Maximum battery size (L x W)	in (mm)	13.0 x 30.9 (330 x 785)
	Platen (flat plate) ² (L x W x H)	in (mm)	22 x 32 x 3/8 (561 x 812 x 9.5)
PERF.	Maximum travel speed, no load	mph (kph)	9.3 (15.0)
	Maximum travel speed, 1,500 lb load	mph (kph)	9.1 (14.6)
WT	Truck weight with battery (approx.) – no load/rated load	lb (kg)	600 (272)

Note: Max approach incline/decline from trailer to warehouse dock/floor (ramps) should be no greater than 21°

¹Based on 2020 average warehouse worker fully burdened wage of \$19.37 per hour, working 40 hours per week, 48 weeks per year. ²Extending the flat plate can affect the load center and capacity rating, your authorized dealer must submit a request for review to the Special Products Engineering Department (SPED).